



Aagaard A/s

part of OBEL-P GROUP



Filter & Silo Systems



A COMPETENT PARTNER

Filter systems



Agaard A/S is a Danish manufacturer of modular bag-house filter systems. Agaard's chain filters are ideal for large air volumes and large quantities of wood dust and chips. Agaard filters equipped with automatic reverse-air filter bag cleaning systems can operate reliably 24/7/365.

The photo to the left shows a chain filter at Moulding & Millwork's factory in Calgary, Canada – 150,000 m³/h.



The photo above shows Agaagrd's patent-pending, re-usable, hopper-mounted explosion relief doors.

The photo to the right shows 2 of 7 Agaard chain filters at Swedwood's factory in Wielbark, Poland. Total air volume of the factory: 800,000 m³/h.



Machining



Rough wood



Sawing



Moulding



Laminated wood

Handling



Stacking



Assembly



Fitting



Packing

Application



Windows



Doors



Furniture

Filter systems

Aagaard chain filter at kitchen door factory filtering 60,000 m³/h of air – 100% of which is returned to the factory.



The photo to the left shows the inside of an Aagaard chain filter hopper.

The photo below shows an Aagaard chain filter at VELFAC's window factory in Poland – air volume: 180,000 m³/h.



Aagaard's filters equipped with its hopper-mounted explosion relief doors are ATEX tested and approved.



Sawing

Moulding

Laminated wood



Windows

Doors

Furniture

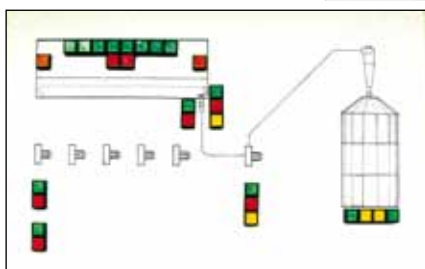
Filter systems



Aagaard chain filters at a furniture factory in Klaipeda, Lithuania and Swedwood's laminated wood factory in Tikhvin, Russia respectively.



Aagaard chain filters at Trax-BRW in Przeworsk, Poland and Manhattan, Furniture in Lancing, England respectively.



Machining



Rough wood



Sawing



Moulding



Laminated wood

Handling



Stacking



Assembly



Fitting



Packing

Application



Windows



Doors

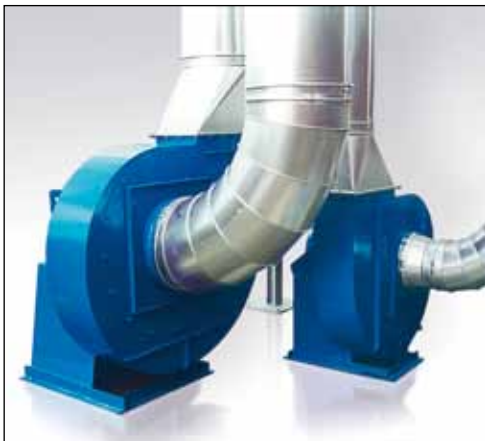


Furniture

Fans



Agaard chain filter
at Danish pinewood furniture
factory - air volume:
120,000 m³/h.



Agaard manufactures direct-driven
and indirect-driven medium-pressure
material transport fans.



Sawing

Moulding

Laminated
wood



Windows

Doors

Furniture

Filter systems

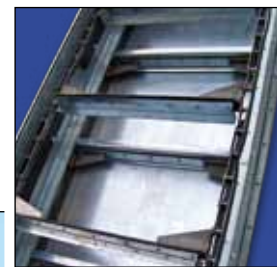


Aagaard chain filter with hopper-mounted explosion relief doors at a factory in Belarus – air volume 250,000 m³/h.



Aagaard chain filter at Danish furniture joinery with heat exchanger for return of air to the factory and with an Aagaard chip conveyor system for the transport of wood chips to a container.

Close-up of inside of Aagaard chip conveyor.



Central collection point for all the material transported pneumatically from 5 of the 7 Aagaard chain filters at Swedwood's factory in Wielbark, Poland. The material is pre-separated by a battery of Aagaard cyclones and transported mechanically via an Aagaard chip conveyor system to 2 Aagaard silos. The 6th chain filter provides the dust extraction from the 4 cyclones.



Machining



Rough wood



Sawing



Moulding



Laminated wood

Handling



Stacking



Assembly



Fitting



Packing

Application



Windows



Doors



Furniture

Filter systems

Aagaard chain filter at Danish window factory – air volume 40,000 m³/h.
The filter bags are cleaned automatically and continuously by sound insulated reverse-air fans.



Close-up of Aagaard sound insulated reverse-air fan.



Aagaard chip conveyor filter.

Aagaard chain filter with Aagaard fan mounted in Aagaard acoustic booth on roof of Norwegian planer factory.



Sawing

Moulding

Laminated wood



Windows

Doors

Furniture

Filter systems



For smaller air volumes Aagaard offers rotary valve filters equipped with Aagaard rotary valves, which are both available in an ATEX approved version.

The system on the left is mounted on a standard Aagaard container stand.

Aagaard also offers bag-emptying filters with plastic bags or steel bins.



Aagaard rotary valve filter on container stand – air volume 10,000 m³/h.

Aagaard rotary valve filter with extended legs.



Machining



Rough wood



Sawing



Moulding



Laminated wood

Handling



Stacking



Assembly



Fitting



Packing

Application



Windows



Doors



Furniture

Filter systems



Aagaard bag-emptying filter with hopper-mounted explosion relief doors (ATEX approved) and steel bins at Swedish kitchen manufacturer – air volume 45,000 m³/h.



Aagaard rotary valve filters on standard Aagaard container stands.



Aagaard bag-emptying filter.



Sawing

Moulding

Laminated wood



Windows

Doors

Furniture

Silo systems



Aagaard manufactures modular silos specially designed for the storage of wood chips and dust. They are available with a flat or pitched roof for the mounting of an Aagaard silo filter or cyclone respectively.



Aagaard offers conical hoppers for its silos with worm screw out-feeders.

Aagaard silos are equipped with explosion relief panels.

The photo to the far left shows a complete system for conveying wood chips from a silo to briquetting presses.



Machining



Rough wood



Sawing



Moulding



Laminated wood

Handling



Stacking



Assembly



Fitting



Packing

Application



Windows



Doors

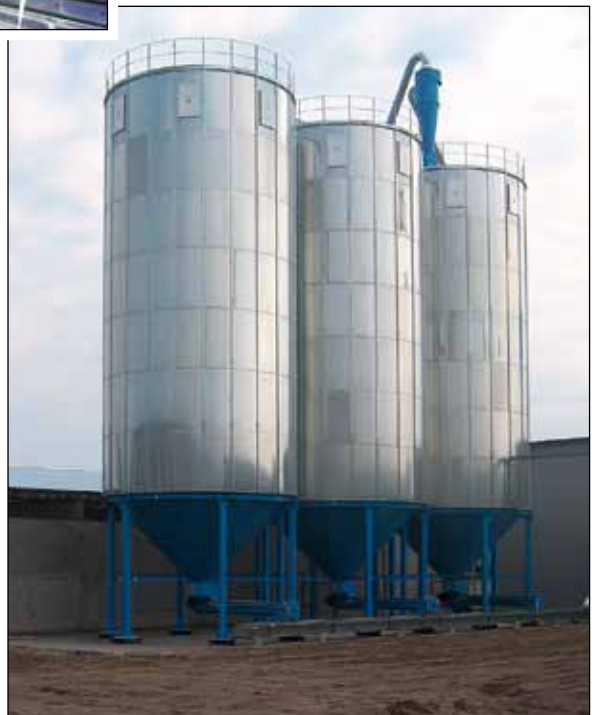
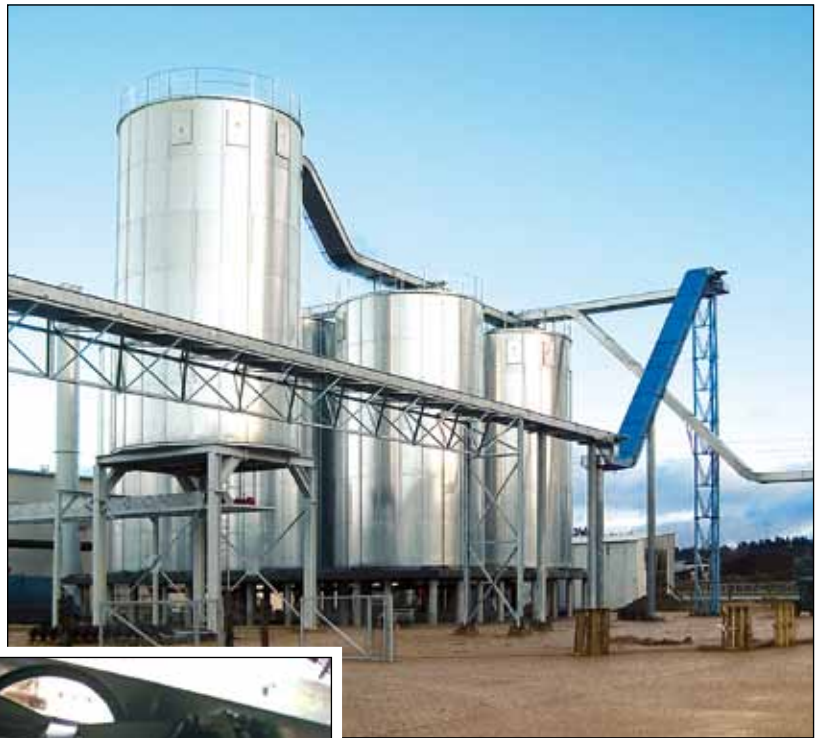


Furniture

Silo systems



In addition to silo systems
Aagaard manufactures
modular chip conveying
systems for quiet, reliable
and dust-free mechanical
transport of wood chips and dust.



Aagaard's chip conveyors have 2 chains
as seen above and are available in 2 sizes (widths).
They are the ideal solution when low energy consumption
and low noise are important factors for the customer.



Sawing

Moulding

Laminated
wood



Windows

Doors

Furniture

- *Environmental friendly*
- *Reliable*

- *Minimal maintenance*
- *Flexible modular concept*



Bin filter - APF

Air: 0 - 35.000 m³/h

Pressure : + / - 5000 Pa.

Chips/dust: up to 1 m³ /day



Rotary valve filter - ASF

Air: 0 - 35.000 m³/h

Pressure : 0 - 5000 Pa.

Chips/dust: max 24m³/h



Chain filter - AKF

Air: 0 -245.000 m³/h

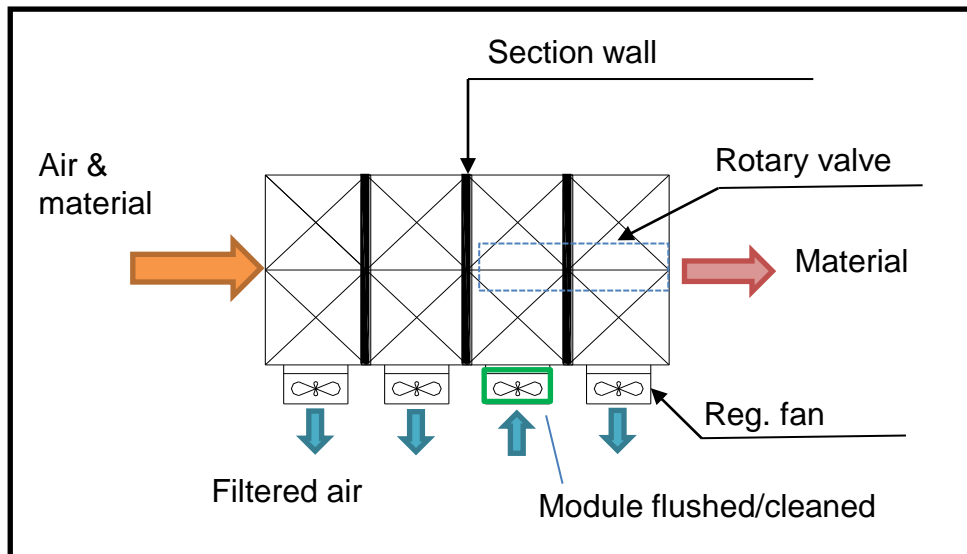
Pressure : - 5000/+1000 Pa.

Chips/dust: Max 70m³/h

FILTER

Filter APF & ASF DAK (XL):

The dust/air mixture is fed into the filter hopper. Heavy material stays at the bottom, air and fine dust are exhausted into the filter bags, where the dust is extracted, and the air is discharged through the exit in the filter top. The material is discharged pressure-less out of the filter through a rotor valve or directly in bins under the filter. The filter bags are continuously cleaned by starting one regeneration fan in a filter module and flushing the air backwards through the bags in the module.



When calculating filter load, 1 filter module for cleaning must always be taken into account when calculating the filter load.



The regeneration fans can either be time-controlled or started by the differential pressure gauge. This results in better cleaning and lower energy consumption for filtering. Optimal cleaning effect is achieved if the filter can run 1-4 times daily off-line cleaning (final cleaning) where the filter system is shut down.

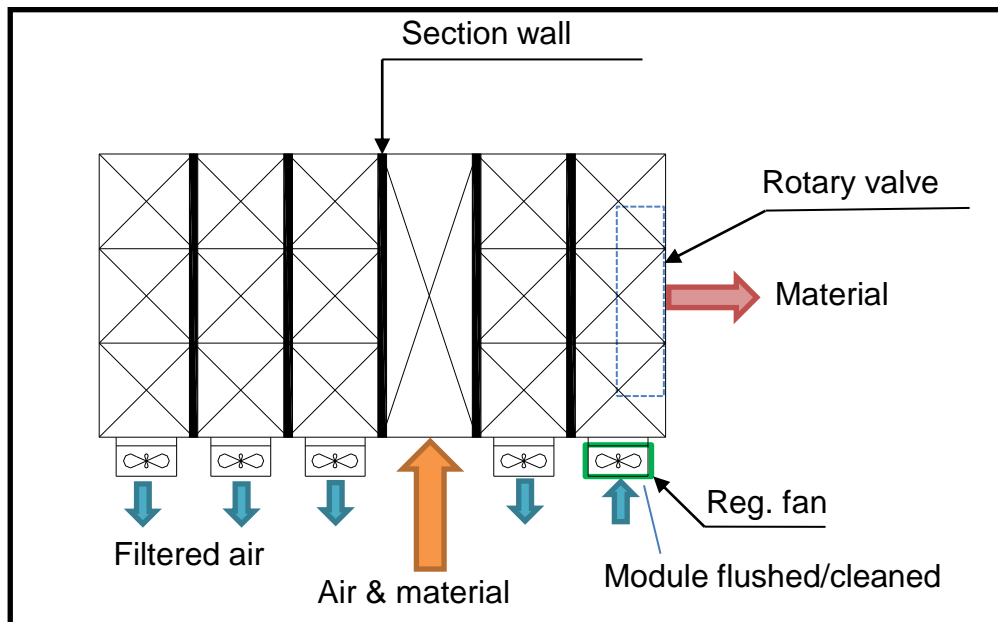
HIGH-END DUST HANDLING SOLUTIONS & SURFACE TREATMENT

FILTERS - FANS - DUCTING - SILOS - OUTFEEDERS - CONVEYERS - TRUCKLOADERS - CYCLONES - FINISHING LINES

FILTER

Filter AKF DAK & WDAK (XL):

The dust/air mixture is fed in the top of the inlet module. Heavy material stays at the bottom, air and fine dusts are exhausted into the filter bags, where the dust is extracted, and the air is discharged through the exit in the filter top. The material is discharged pressure-less out of the filter through a rotary valve via scrapers in the chain base. The filter bags are continuously cleaned by starting one regeneration fan in a filter module and flushing the air backwards through the bags in the module.



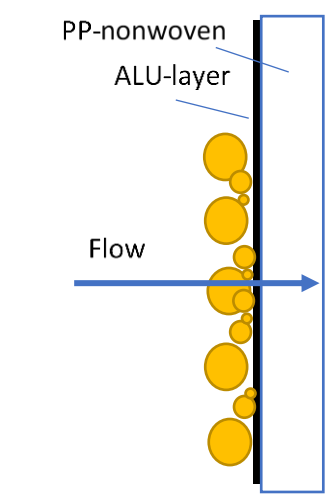
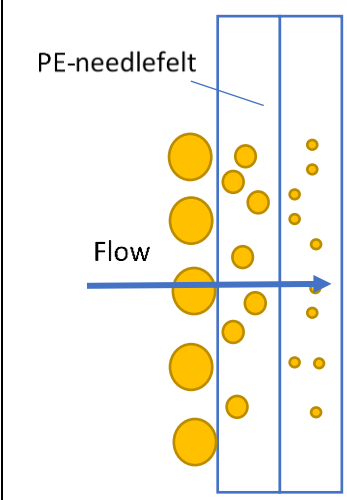
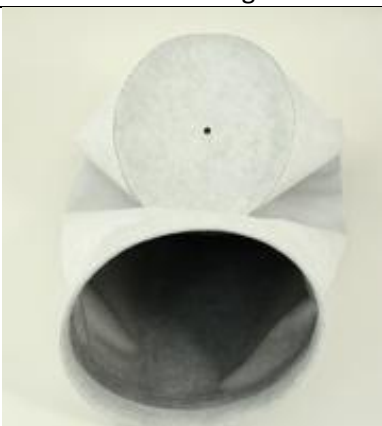

When calculating filter load, 1 filter module for cleaning must always be taken into account when calculating the filter load.

The regeneration fans can either be time-controlled or started by the differential pressure gauge. This results in better cleaning and lower energy consumption for filtering. Optimal cleaning effect is achieved if the filter can run 1-4 times daily off-line cleaning (final cleaning) where the filter system is shut down.

HIGH-END DUST HANDLING SOLUTIONS & SURFACE TREATMENT

FILTERS - FANS - DUCTING - SILOS - OUTFEEDERS - CONVEYERS - TRUCKLOADERS - CYCLONES - FINISHING LINES

Unique filter bag media supplies the best filtering on the marked and lowest energy consumption over time.

Type	Laser welded spunbonded PP with inside alu-coating	Laser welded needlefelt PE/PP
	Aagaard standard	On request
Function		
Antistatic	Yes	Yes
Permeability	200 L/dm ² /min at 200 Pa.	220 L/dm ² /min at 200 Pa.
Intended use	Wood industry with regeneration fans	Wood industry with high abrasion and movement
Advantages	High efficiency and easy cleaning	Robust filter media with long lifespan
Disadvantages	Not suitable for bag shaking and compressed air cleaning. Not resistant to sunlight	Less efficient filtration. Reduced permeability over time.
Picture		
Price factor	1,0	1,5
Guidance measurement on residual dust	1 mg/m ³	20 mg/m ³

Price composition of Aagaard filters

1.	<u>Filtertype</u>	APF, ASF, AKR DAK/WDAK (XL)	See separate datasheet
2.	<u>Top inlet</u>	DAK - max 40.000 m ³ /h WDAK - max 50.000 m ³ /h	Part of chain filter
3.	<u>None-return flap</u>	Inlet speed max 25m/s. Shall be kept below 20 m/s.	See separate datasheet "filter options"
4.	<u>Rotary valve</u>	Chain filter, WDAK types: Chain filter, DAK types: Rotary valve filter:	ABS 1500 / 1000 ATEX ABS 1000 / 1000 ATEX Note, more can be mounted. Length of the valve must be at least 50% of the filter length. e.g. ASF 4 = ABS 2000
5.	<u>Cleaning method</u>	Regeneration fan DAK, DAK XL, WDAK WDAK XL	ARE 700 1,5kW ARE 700 2,2kW
6.	<u>Fire sprinkle system</u>	Dry sprinkle system	See separate datasheet "filter options"
7.	<u>Press. surveillance</u>	0-10V pressure transducer	See separate datasheet "filter options" Remember control system.
8.	<u>Steel-/roof frame</u>	Standard or special support	See separate datasheet "filter options"
9.	<u>Gangway</u>		See separate datasheet "filter options"

Chain filter AKF WDAK & WDAK XL



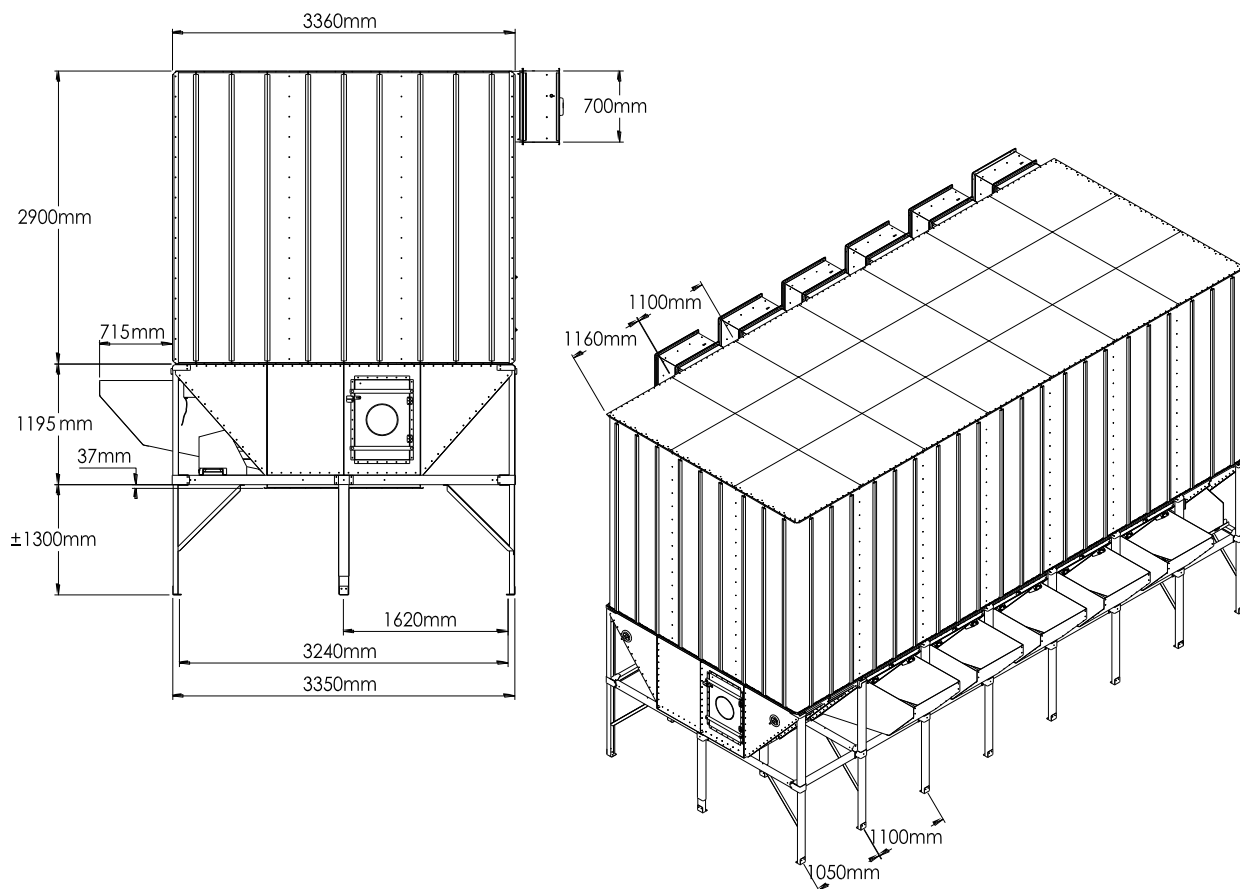
Our chain filters are designed to meet the needs of large high-volume dust extraction systems. Continuous cyclic filter bag cleaning is provided by insulated reverse flow regeneration fans to maintain the highest efficiency during all working conditions.

Our ATEX filters are equipped with specially designed explosion relief hatches on the hopper sides, which open quickly in the event of an explosion to maintain the structural integrity of the bag house. Channels mounted around the explosion relief hatches guide the flame discharges safely upward and away from the filter so that filter can be installed close to buildings etc.

The hatches are furthermore equipped with 2 spring-loaded re-closable latches and a microswitch. The filter has been explosion tested in full scale according to ATEX IEC 2014/35/EU and approved and certified Ex Dst 1, certificate NB 1026 FTZU.

HIGH-END DUST HANDLING SOLUTIONS & SURFACE TREATMENT

FILTERS - FANS - DUCTING - SILOS - OUTFEEDERS - CONVEYERS - TRUCKLOADERS - CYCLONES - FINISHING LINES



Chain Filter AKF	WDAK	WDAK XL
Area m ² /module:	80,7 m ²	123 m ²
Filterbags/module:	48 pce.	75 pce
Filterbag media:	PP Alu-coated standard – PE needlefelt as option.	
Dust emission:*	< 0,2 mg/m ³	
Roraty valve	Outlet for ABS 1500	
ATEX**	Zone 20/21/22 on dust-side. Kmax=200 bar m/s	
Weight kg/module:	App. 900 kg	
Electrical		
Chain drive	1,1kW – 230/400Vac	
Movement sensor	24Vdc PNP inductive sensor	
Cleaning fan	1,5 kW / modul 230/400Vac	2,2 kW / modul 230/400Vac
Door switch	(1XNC+1xNO) at each end of the filter.	
Ex-sensor	1 x NC+1XNO per module	

* Depending on dust type and composition. It is recommended to use police-filter/return air filter in countries where return air directly to workfloor is allowed. The used of a heat exchanger is a good alternative.

** Explosion calculation acc. to EN 14491 can be done on specific dust-types.

HIGH-END DUST HANDLING SOLUTIONS & SURFACE TREATMENT

FILTERS - FANS - DUCTING - SILOS - OUTFEEDERS - CONVEYERS - TRUCKLOADERS - CYCLONES - FINISHING LINES

Item no.	Item	Description
140A3031	Chain filter AKF WDAK 3+1	242,1 m ²
140A3041	Chain filter AKF WDAK 4+1	322,8 m ²
140A3051	Chain filter AKF WDAK 5+1	403,5 m ²
140A3061	Chain filter AKF WDAK 6+1	484,2 m ²
140A3062	Chain filter AKF WDAK 6+2	484,2 m ²
140A3072	Chain filter AKF WDAK 7+2	564,9 m ²
140A3082	Chain filter AKF WDAK 8+2	645,6 m ²
140A3092	Chain filter AKF WDAK 9+2	726,3 m ²
140A3102	Chain filter AKF WDAK 10+2	807,0 m ²
140A3112	Chain filter AKF WDAK 11+2	887,7 m ²
140A3122	Chain filter AKF WDAK 12+2	968,4 m ²
140A3123	Chain filter AKF WDAK 12+3	968,4 m ²
140A3133	Chain filter AKF WDAK 13+3	1049,1 m ²
140A3143	Chain filter AKF WDAK 14+3	1129,8 m ²
140A3153	Chain filter AKF WDAK 15+3	1210,5 m ²
140A3163	Chain filter AKF WDAK 16+3	1291,2 m ²
140A3173	Chain filter AKF WDAK 17+3	1371,9 m ²
140A3183	Chain filter AKF WDAK 18+3	1452,6 m ²
140A3184	Chain filter AKF WDAK 18+4	1452,6 m ²
140A3194	Chain filter AKF WDAK 19+4	1533,3 m ²
140A3204	Chain filter AKF WDAK 20+4	1614,0 m ²

Item no.	Item	Description
140A5031	Chain filter AKF WDAK XL 3+1	369 m ²
140A5041	Chain filter AKF WDAK XL 4+1	492 m ²
140A5042	Chain filter AKF WDAK XL 4+2	492 m ²
140A5052	Chain filter AKF WDAK XL 5+2	615 m ²
140A5062	Chain filter AKF WDAK XL 6+2	738 m ²
140A5072	Chain filter AKF WDAK XL 7+2	861 m ²
140A5082	Chain filter AKF WDAK XL 8+2	984 m ²
140A5083	Chain filter AKF WDAK XL 8+3	984 m ²
140A5093	Chain filter AKF WDAK XL 9+3	1107 m ²
140A5103	Chain filter AKF WDAK XL 10+3	1230 m ²
140A5113	Chain filter AKF WDAK XL 11+3	1353 m ²
140A5123	Chain filter AKF WDAK XL 12+3	1476 m ²
140A5124	Chain filter AKF WDAK XL 12+4	1476 m ²
140A5134	Chain filter AKF WDAK XL 13+4	1599 m ²
140A5144	Chain filter AKF WDAK XL 14+4	1722 m ²
140A5154	Chain filter AKF WDAK XL 15+4	1845 m ²
140A5164	Chain filter AKF WDAK XL 16+4	1968 m ²
140A5165	Chain filter AKF WDAK XL 16+5	1968 m ²
140A5175	Chain filter AKF WDAK XL 17+5	2091 m ²
140A5185	Chain filter AKF WDAK XL 18+5	2214 m ²
140A5195	Chain filter AKF WDAK XL 19+5	2337 m ²
140A5205	Chain filter AKF WDAK XL 20+5	2460 m ²
140A5206	Chain filter AKF WDAK XL 20+6	2460 m ²



HIGH-END DUST HANDLING SOLUTIONS & SURFACE TREATMENT

FILTERS - FANS - DUCTING - SILOS - OUTFEEDERS - CONVEYERS - TRUCKLOADERS - CYCLONES - FINISHING LINES

Chain Filter AKF DAK & DAK XL



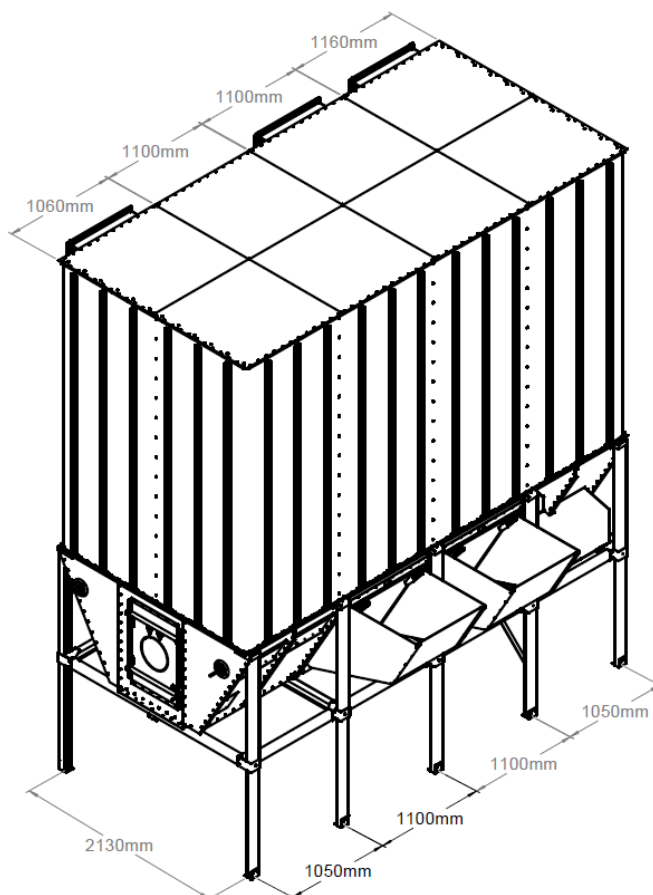
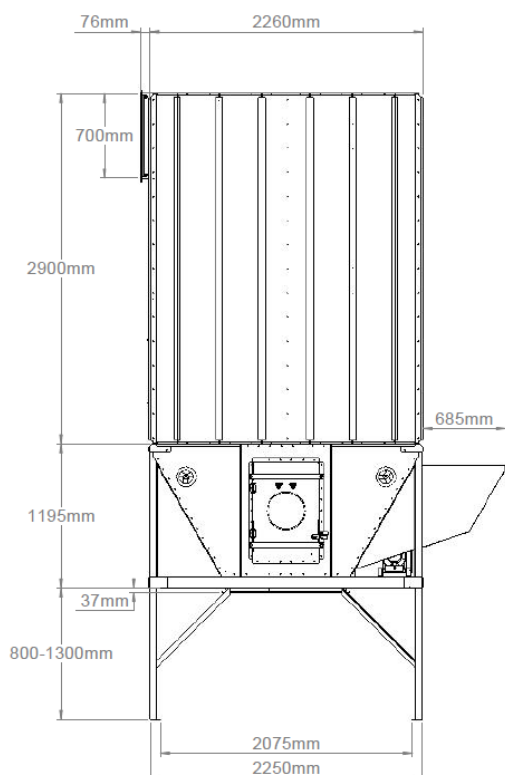
Our chain filters are designed to meet the needs of large high-volume dust extraction systems. Continuous cyclic filter bag cleaning is provided by insulated reverse flow regeneration fans to maintain the highest efficiency during all working conditions.

Our ATEX filters are equipped with specially designed explosion relief hatches on the hopper sides, which open quickly in the event of an explosion to maintain the structural integrity of the bag house. Channels mounted around the explosion relief hatches guide the flame discharges safely upward and away from the filter so that filter can be installed close to buildings etc.

The hatches are furthermore equipped with 2 spring-loaded re-closable latches and a microswitch. The filter has been explosion tested in full scale according to ATEX IEC 2014/35/EU and approved and certified Ex Dst 1, certificate NB 1026 FTZU.

HIGH-END DUST HANDLING SOLUTIONS & SURFACE TREATMENT

FILTERS - FANS - DUCTING - SILOS - OUTFEEDERS - CONVEYERS - TRUCKLOADERS - CYCLONES - FINISHING LINES



Chain filter AKF	DAK	DAK XL
Area m ² /module:	53,5 m ²	81,5 m ²
Filterbags/module:	32 pce.	50 pce
Filterbag media:	PP Alu-coated standard – PE needlefelt as an option.	
Dust emission:*	< 0,2 mg/m ³	
Rotary valve	Outlet for ABS 1000	
ATEX**	Zone 20/21/22 on dust-side. Kmax=200 bar m/s	
Weight kg/module:	App. 600 kg	
Elektrical		
Chain drive	1,1kW – 230/400Vac	
Movement sensor	24Vdc PNP inductive sensor	
Cleaning fan	1,5 kW / filtermodule – 230/400Vac	
Door switch	(1xNC+1xNO) at each end of the filter.	
Ex-sensor	1 x NC+1XNO per module	

* Depending on dust type and composition. It is recommended to use police-filter/return air filter in countries where return air directly to workfloor is allowed. The used of a heat exchanger is a good alternative.

** Explosion calculation acc. to EN 14491 can be done on specific dust-types.

HIGH-END DUST HANDLING SOLUTIONS & SURFACE TREATMENT

FILTERS - FANS - DUCTING - SILOS - OUTFEEDERS - CONVEYERS - TRUCKLOADERS - CYCLONES - FINISHING LINES

Item no.	Item	Description
140A2031	Chain filter AKF 3+1 DAK	160,5 m ²
140A2041	Chain filter AKF 4+1 DAK	214,0 m ²
140A2051	Chain filter AKF 5+1 DAK	267,5 m ²
140A2061	Chain filter AKF 6+1 DAK	321,0 m ²
140A2071	Chain filter AKF 7+1 DAK	374,5 m ²
140A2072	Chain filter AKF 7+2 DAK	374,5 m ²
140A2082	Chain filter AKF 8+2 DAK	428,0 m ²
140A2092	Chain filter AKF 9+2 DAK	481,5 m ²
140A2102	Chain filter AKF 10+2 DAK	535,0 m ²
140A4031	Chain filter AKF 3+1 DAK XL	244,5 m ²
140A4041	Chain filter AKF 4+1 DAK XL	326,0 m ²
140A4051	Chain filter AKF 5+1 DAK XL	407,5 m ²
140A4052	Chain filter AKF 5+2 DAK XL	407,5 m ²
140A4062	Chain filter AKF 6+2 DAK XL	489,0 m ²
140A4072	Chain filter AKF 7+2 DAK XL	570,5 m ²
140A4082	Chain filter AKF 8+2 DAK XL	652,0 m ²
140A4092	Chain filter AKF 9+2 DAK XL	733,5 m ²
140A4102	Chain filter AKF 10+2 DAK XL	815,0 m ²
140A4103	Chain filter AKF 10+3 DAK XL	815,0 m ²

Item No.	Item	Description
140A1105	Supplement assembly hopper	AKF 3 DAK
140A1106	Supplement assembly hopper	AKF 4 DAK
140A1107	Supplement assembly hopper	AKF 5 DAK
140A1108	Supplement assembly hopper	AKF 6 DAK



HIGH-END DUST HANDLING SOLUTIONS & SURFACE TREATMENT

FILTERS - FANS - DUCTING - SILOS - OUTFEEDERS - CONVEYERS - TRUCKLOADERS - CYCLONES - FINISHING LINES

Rotary Valve Filter ASF DAK & DAK XL

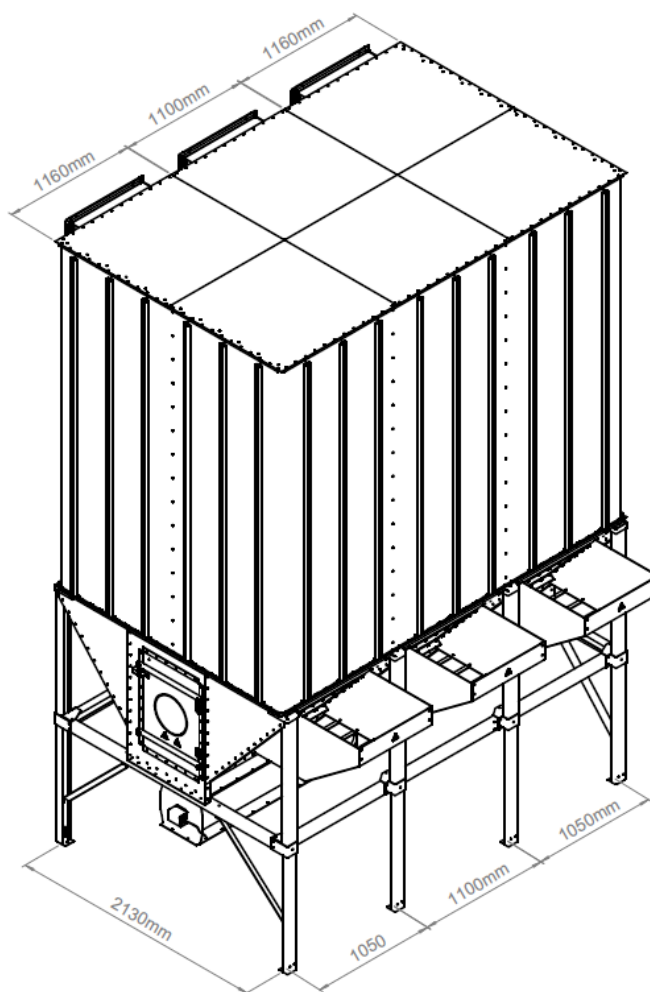
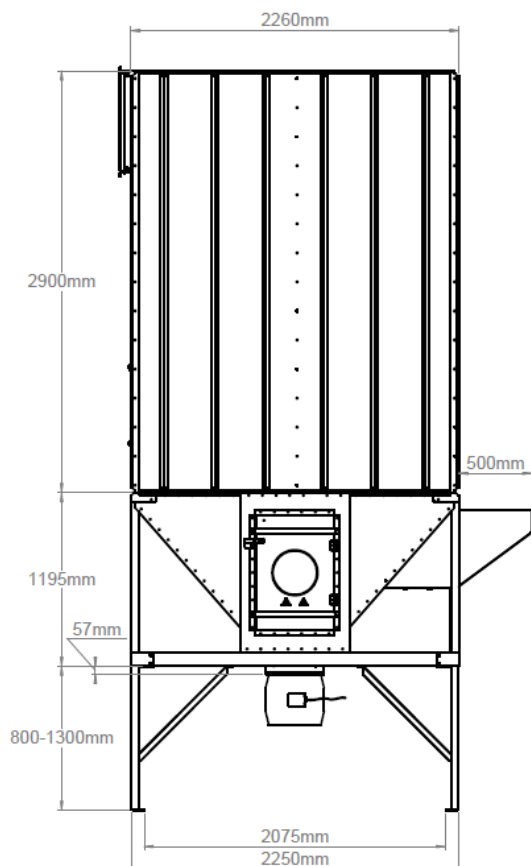


- *Environmental friendly*
- *Reliable*

- *Minimal maintenance*
- *Flexible modular concept*

The rotary valve filter is ideally suited for medium-sized quantities of chips and air. The filter can also be fitted with a screw conveyor which is adapted to the special composition of chips.

Furthermore, the rotary valve filter can be designed to handle quantities of air up to approx. 25,000 m³/h. In case of larger quantities of air we would recommend a chain filter.



Rotary filter ASF	DAK	DAK XL
Area m ² /module:	53,5 m ²	81,5 m ²
Filterbags/module:	32 pce.	50 pce
Filterbag media:	PP Alu-coated standard – PE needlefelt as an option.	
Dust emission:*	< 0,2 mg/m ³	
Rotary valve	Min. Half the length. Meaning ABS1000 for 2 modules.	
ATEX**	Zone 20/21/22 on dust-side. Kmax=150 bar m/s, Pmax=6,3 bar	
Weight kg/module:	Ca. 600 kg	
Elektrical		
Cleaning fan:	1,5 kW / filtermodule – 230/400Vac	
Door switch	1XNC+1xNO	
Ex-sensor	1 x NC – recommend 1 switch per 3 modules	

* Depending on dust type and composition. It is recommended to use police-filter/return air filter in countries where return air directly to workfloor is allowed. The used of a heat exchanger is a good alternative.

** Explosion calculation acc. to EN 14491 can be done on specific dust-types.

HIGH-END DUST HANDLING SOLUTIONS & SURFACE TREATMENT

FILTERS - FANS - DUCTING - SILOS - OUTFEEDERS - CONVEYERS - TRUCKLOADERS - CYCLONES - FINISHING LINES

Item no.	Item	Description
140A0800	Rotary valve filter ASF 1 DAK f/ABS 1000	53,5 m ²
140A0801	Rotary valve filter ASF 2 DAK f/ABS 1000	107,0 m ²
140A0802	Rotary valve filter ASF 2 DAK f/ABS 1500	107,0 m ²
140A0803	Rotary valve filter ASF 2 DAK f/ABS 2000	107,0 m ²
140A0804	Rotary valve filter ASF 3 DAK f/ABS 1500	160,5 m ²
140A0805	Rotary valve filter ASF 3 DAK f/ABS 2000	160,5 m ²
140A0806	Rotary valve filter ASF 4 DAK f/ABS 2000	214,0 m ²

140A0810	Rotary valve filter ASF 1 DAK XL f/ABS 1000	81,5 m ²
140A0811	Rotary valve filter ASF 2 DAK XL f/ABS 1000	163,0 m ²
140A0812	Rotary valve filter ASF 2 DAK XL f/ABS 1500	163,0 m ²
140A0813	Rotary valve filter ASF 2 DAK XL f/ABS 2000	163,0 m ²
140A0814	Rotary valve filter ASF 3 DAK XL f/ABS 1500	244,5 m ²
140A0815	Rotary valve filter ASF 3 DAK XL f/ABS 2000	244,5 m ²
140A0816	Rotary valve filter ASF 4 DAK XL f/ABS 2000	326,0 m ²

Item No.	Item	Description
140A1100	Supplement assembly filter comp.	1 DAK
140A1101	Supplement assembly filter comp.	2 DAK
140A1109	Supplement assembly hopper	APF/ASF 2 DAK
140A1102	Supplement assembly hopper	APF/ASF 3 DAK
140A1103	Supplement assembly hopper	APF/ASF 4 DAK
140A1104	Supplement assembly hopper	APF/ASF 5 DAK

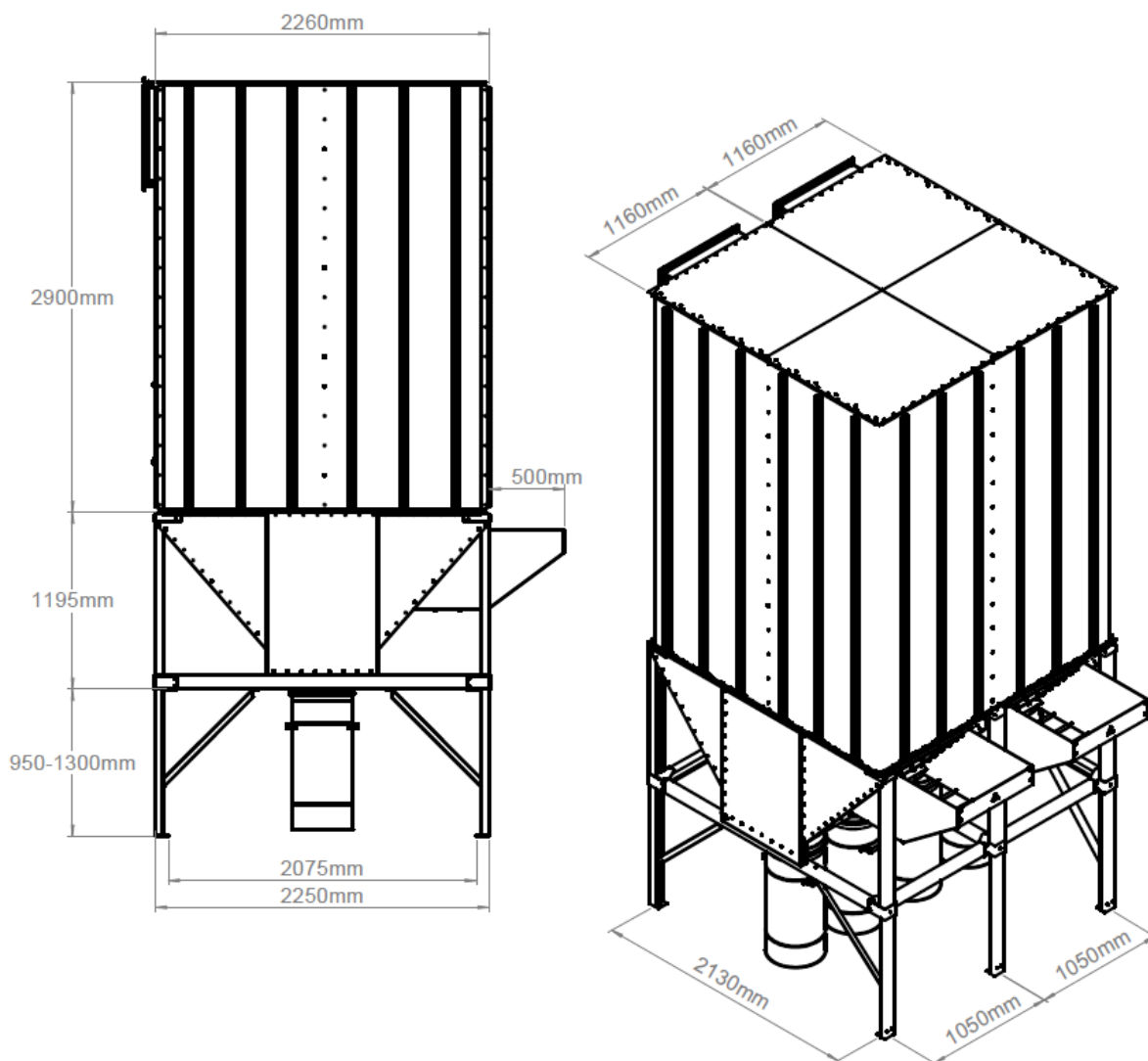
Bin Filter APF DAK & DAK XL



- *Environmental friendly*
- *Reliable*
- *Minimal maintenance*
- *Flexible modular concept*

The bin filter is ideally suited for smaller quantities of chips and air or for extraction from finishing lines where the authorities demand a separate filter system.

The bag filter takes up a minimum of room and can easily be installed along the building or in any position to the customer.



Area m ² /module:	53,5 m ²	81,5 m ²
Filter bags/module:	32 pce.	50 pce.
Filter bag media:	PP Alu-coated standard – PE needlefelt as an option.	
Dust emission:*	< 0,2 mg/m ³	
Bin – dimensions	Ø400QA x 920mm – 100 L. 2 pce. per module	
ATEX**	Zone 20/21/22 on dust side. Kmax=150 bar m/s, Pmax=6,3 bar	
Weight kg/module:	Ca. 600 kg	
Elektrical		
Cleaning fan:	1,5 kW / filter module – 230/400Vac	
Door switch	1XNC+1xNO	
Ex-sensor	1 x NC – recommend 1 switch per 3 module	

* Depending on dust type and composition. It is recommended to use police-filter/return air filter in countries where return air directly to workfloor is allowed. The used of a heat exchanger is a good alternative.

** Explosion calculation acc. to EN 14491 can be done on specific dust-types.

HIGH-END DUST HANDLING SOLUTIONS & SURFACE TREATMENT

FILTERS - FANS - DUCTING - SILOS - OUTFEEDERS - CONVEYERS - TRUCKLOADERS - CYCLONES - FINISHING LINES

Item no.	Item	Description
140A0820	Bin filter APF 1 DAK	53,5 m ²
140A0821	Bin filter APF 2 DAK	107,0 m ²
140A0822	Bin filter APF 3 DAK	160,5 m ²
140A0823	Bin filter APF 4 DAK	214,0 m ²
140A0825	Bin filter APF 1 DAK XL	81,5 m ²
140A0826	Bin filter APF 2 DAK XL	163,0 m ²
140A0827	Bin filter APF 3 DAK XL	244,5 m ²
140A0828	Bin filter APF 4 DAK XL	326,0 m ²

Extra - Bins are included in the filter.

104900	Steel bin ø400	100 L
810211	Rapid pull ring ø400 QA	

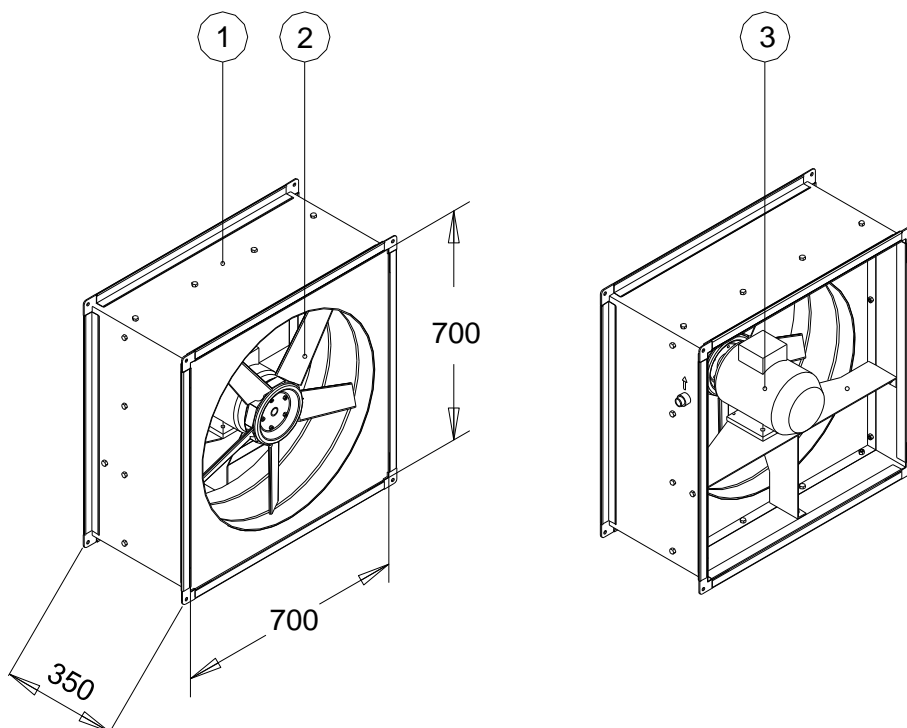
Item No.	Item	Description
140A1100	Supplement assembly filter comp.	1 DAK
140A1101	Supplement assembly filter comp.	2 DAK
140A1109	Supplement assembly hopper	APF/ASF 2 DAK
140A1102	Supplement assembly hopper	APF/ASF 3 DAK
140A1103	Supplement assembly hopper	APF/ASF 4 DAK
140A1104	Supplement assembly hopper	APF/ASF 5 DAK



HIGH-END DUST HANDLING SOLUTIONS & SURFACE TREATMENT

FILTERS - FANS - DUCTING - SILOS - OUTFEEDERS - CONVEYERS - TRUCKLOADERS - CYCLONES - FINISHING LINES

Regeneration Fan – ARE 700



Technical data:

Connection:

1,5kW 230/400V (50Hz)

5,4/3,1 A

2,2kW 230/400V (50Hz)

8/4,6 A

Sound: Theoretical 1m distance from filter.

Without air return duct

75 dB(A)

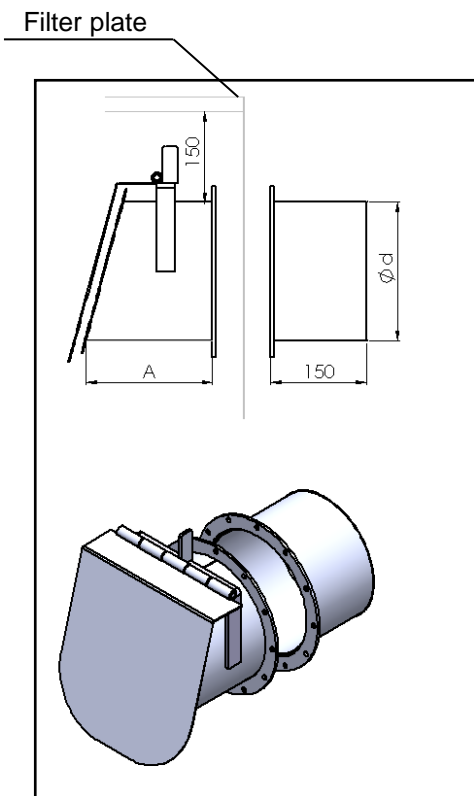
Return air duct mounted

55 dB(A)

Pos.	Item	Specification	Item no.	Filter
1	Regeneration fan 1,5kW	230/400V	222000	DAK
2	Impeller	ø590 / 4-8 / 25°	750018	DAK XL
3	Motor w. brakebearing	1,5 kW - 3000 min ⁻¹	620665	WDAK
1	Regeneratoin fan 2,2kW	230/400V	140A0586	WDAK XL
2	Impeller	ø590 / 4-8 / 30°	80000242	
3	Motor w. brakebearing	2,2 kW - 3000 min ⁻¹	80000243	

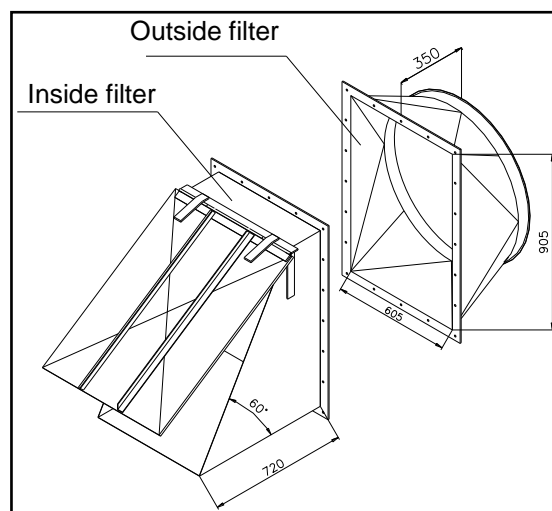
None-return flap

Round flap:



Ød	A	Item no.
ø200	200	254A0003
ø225	250	254A0004
ø250	295	254A0005
ø275	300	254A0006
ø300	300	254A0007
ø350	350	254A0008
ø400	400	254A0002
ø450	460	254A0009
ø500	545	254A0001
ø550	500	254A0010
ø600	500	254A0011
ø650	500	254A0012

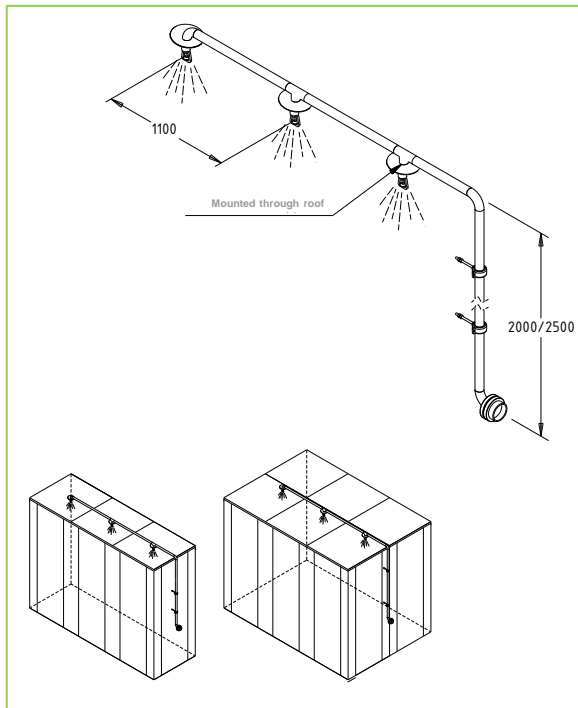
Square to round flap:



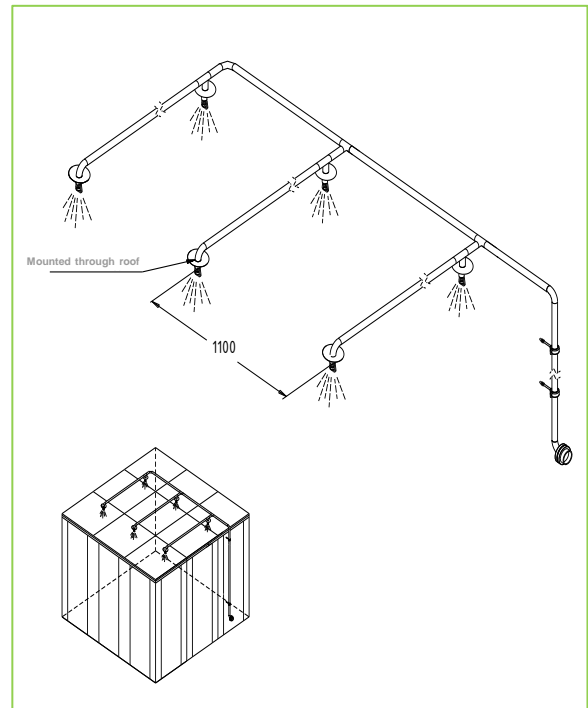
Ød	A	Item no.
ø650	720	100040
ø700	720	100041
ø750	720	100042
ø800	720	100043
ø850	720	100044
ø900	720	100045
ø950	720	100046

Sprinkle system

DAK / DAK XL



WDAK / WDAK XL



Item no.	Description
109915	Sprinkle system 1 module
109916	Sprinkle system 2 module
109917	Sprinkle system 3 module
109918	Sprinkle system 4 module
109922	Sprinkle system 5 module
109923	Sprinkle system 6 module
109924	Sprinkle system 7 module
109925	Sprinkle system 8 module
109926	Sprinkle system 9 module
109927	Sprinkle system 10 module
109928	Sprinkle system 11 module
109929	Sprinkle system 12 module
109930	Sprinkle system 13 module
109931	Sprinkle system 14 module
109932	Sprinkle system 15 module

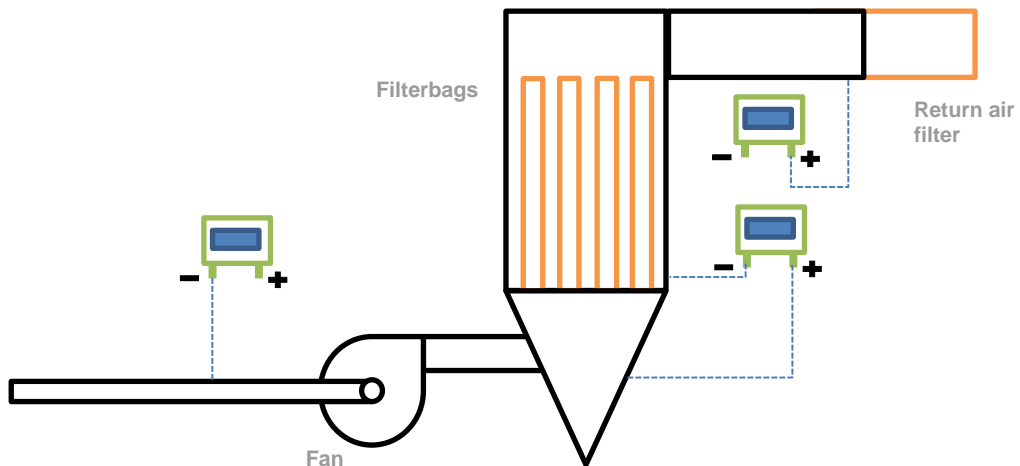
Item no.	Description
109800	Sprinkle system W - 3 module
109801	Sprinkle system W - 4 module
109802	Sprinkle system W - 5 module
109803	Sprinkle system W - 6 module
109804	Sprinkle system W - 7 module
109805	Sprinkle system W - 8 module
109806	Sprinkle system W - 9 module
109807	Sprinkle system W - 10 module
109808	Sprinkle system W - 11 module
109809	Sprinkle system W - 12 module
109810	Sprinkle system W - 13 module
109811	Sprinkle system W - 14 module
109812	Sprinkle system W - 15 module
109813	Sprinkle system W - 16 module
109814	Sprinkle system W - 17 module
109815	Sprinkle system W - 18 module
109816	Sprinkle system W - 19 module
109817	Sprinkle system W - 20 module



HIGH-END DUST HANDLING SOLUTIONS & SURFACE TREATMENT

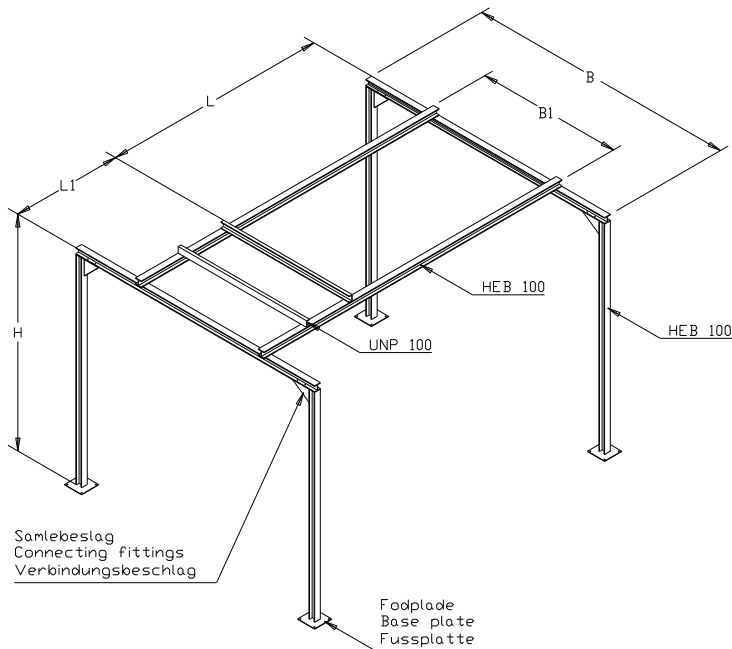
FILTERS - FANS - DUCTING - SILOS - OUTFEEDERS - CONVEYERS - TRUCKLOADERS - CYCLONES - FINISHING LINES

Differential pressure transmitter



Item no.	Item		Pressure	Set point
	Filter guard - pressure drop across filterbags			
1389	Pressure transmitter w/display 24Vdc	0-10V signal	0-1000Pa.	3-500Pa.
	Return air guard -overpressure return air filter			
1389	Pressure transmitter w/display 24Vdc	0-10V signal	0-1000Pa.	250Pa.
	PID-Regulation of fan			
1389	Pressure transmitter w/display 24Vdc	0-10V signal	-5000-0Pa.	v. 20-25m/s
4034	Pressure surveillance connected to electrical control cabinet			

Container Steel Support



H = Container height + 600 mm – Max 3m.

B = Container width + 800 mm

B1 = Filter width + 60 mm

L = Number of filter modules (n x 1100) + 200 mm

L1 = Depending on fan

Item no.	Item	Description
520034	Container steel support ASF 1+2 DAK	Hot dip galv. HEB100- 4 legs
520035	Container steel support ASF 3 DAK	Hot dip galv. HEB100- 4 legs
520036	Container steel support ASF 4 DAK	Hot dip galv. HEB100- 4 legs
5854	Profile UNP 100 galv.	For fan
5855	Profile UNP 120 galv	For fan
5856	Profile HEB 120 galv.	For fan

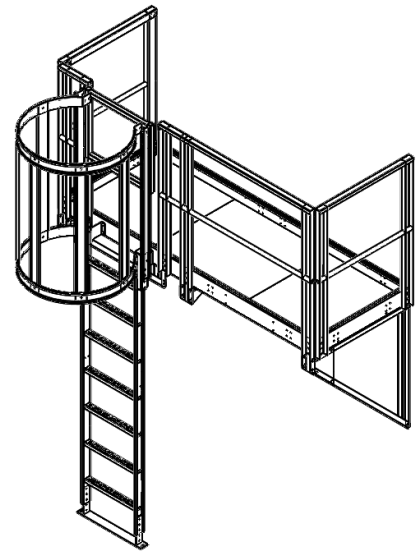
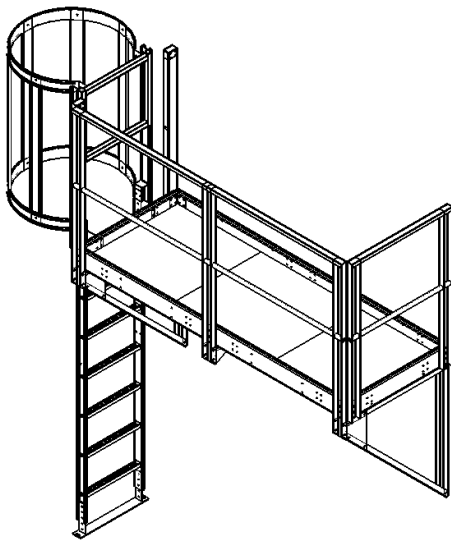
Supports longer than 4 moduels are made of HEB120. Max. Leg distance is 3 modules

HIGH-END DUST HANDLING SOLUTIONS & SURFACE TREATMENT

FILTERS - FANS - DUCTING - SILOS - OUTFEEDERS - CONVEYERS - TRUCKLOADERS - CYCLONES - FINISHING LINES

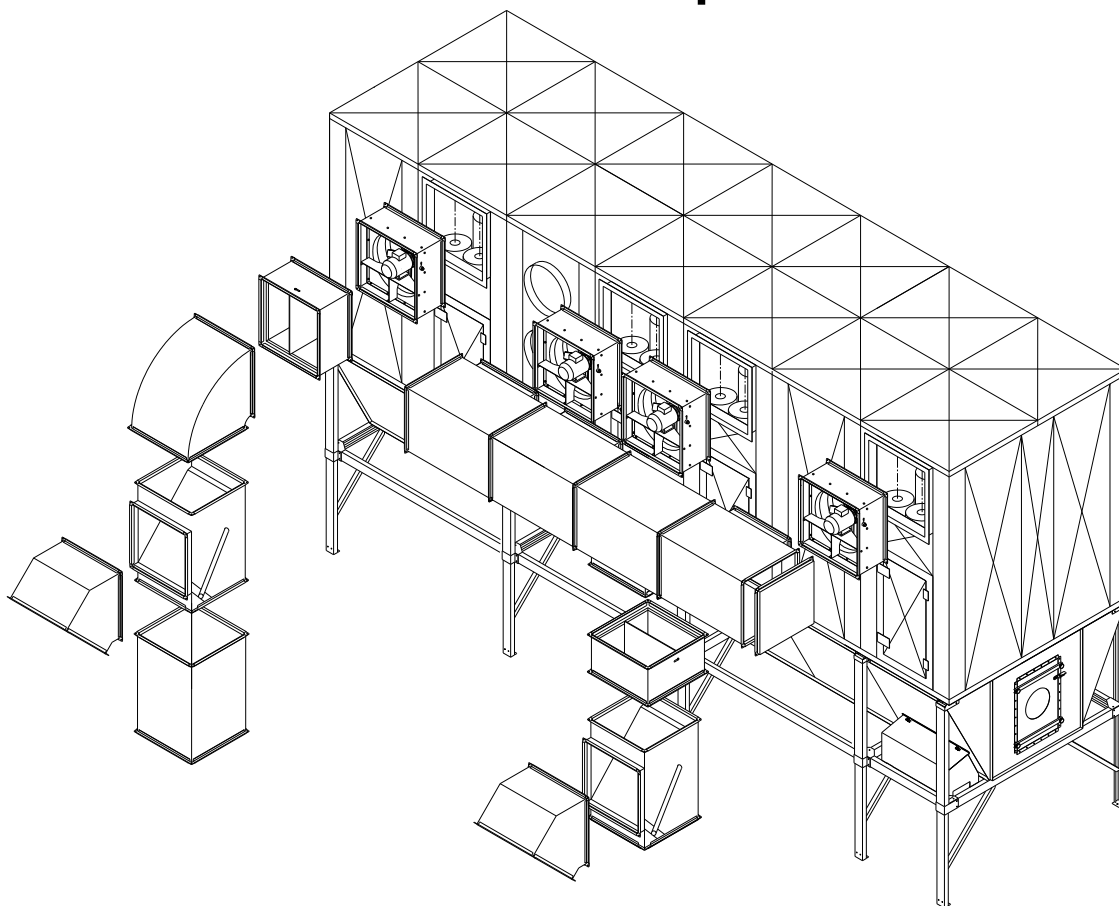
Gangway

- Aagaard's gangway for easy acces to inspection and replacing filterbags.
- The gangway is constructed according to EN ISO 14122.
- The gangway is modular and can be adjusted to differencet filter length and height.



Item no.	Item	Description
140A0701	2M Gangway - Ladder end-mounted	2 modules L=2,2m
140A0702	2M Gangway - Ladder side-mounted	2 modules L=2,2m
140A0703	2M Gangway expansion	2 modules L=2,2m
140A0704	1M Gangway expansion	1 module L=1,1m
140A0705	Ladder extension by 2m incl. back-hoops	L = 1,98 m

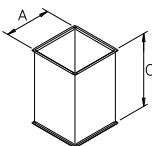
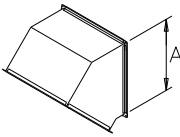
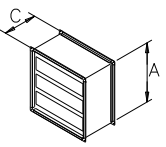
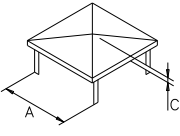
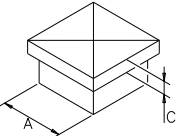
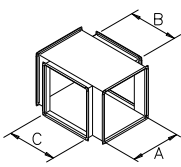
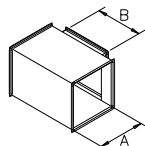
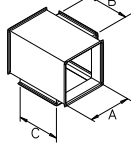
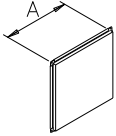
Return air components

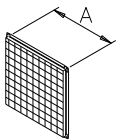
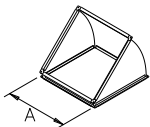
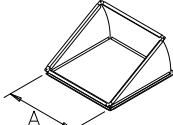
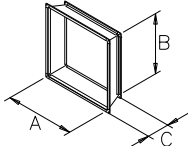
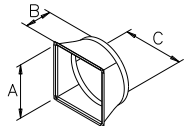
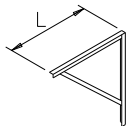
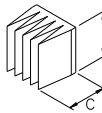
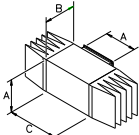
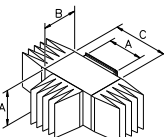
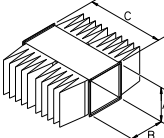


Navn Description Bezeichnung	Skitse Sketch Skizze	A	B	C	Warenr. Part no. Teil Nr.
Regenereringsventilator 1,5 kW Regeneration fan 1.5 kW Regenerierungsventilator 1,5 kW		700		350	222000
Regenereringsventilator 2,2 kW Regeneration fan 2.2 kW Regenerierungsventilator 2,2 kW		700		350	140A0586
Termisk spjæld 70°C Thermal damper 70°C Thermisch Klappe 70°C		700		400	221007
		800		450	220012
90° bøjning 90° bend 90° Bogen		700		800	221024
		800		900	220025
Sommer-/vinterspjæld Summer-/winter damper Sommer-/winterklappe		700		1000	221008
		800		1000	220011

HIGH-END DUST HANDLING SOLUTIONS & SURFACE TREATMENT




FILTERS - FANS - DUCTING - SILOS - OUTFEEDERS - CONVEYERS - TRUCKLOADERS - CYCLONES - FINISHING LINES

Navn Description Bezeichnung	Skitse Sketch Skizze	A	B	C	Warenr. Part no. Teil Nr.
Kanal		700		1000	221016
Flue				1100	221013
Kanal		800		1000	220017
				1100	220014
Regnhætte 45° m. net		700			221020
Raincap 45° w. net		800			220023
Regenhaube 45° m. Netz					
Jalousispjæld excl. motor		700		130	221110
Louvre gate excl. motor		800		130	830023
Rollklappe ausschl. Motor					
Luftdiffusor		700		100	221018
Air diffuser		800		100	220019
Luftdiffusor					
Regnhætte m. stort svøb		700		200	221042
Raincap w. big housing		800		250	220043
Regenhaube m. grossem Gehäuse					
Samlekanal 4 åbninger		700	700	700	221089
Connecting flue 4 openings		800	700	700	221091
		800	700	800	221090
Verbindungskanal 4 Öffnungen		800	800	700	221092
		800	800	800	220093
Samlekanal 3 åbninger			700	700	
Connecting flue 3 openings	800		700		221074
Verbindungskanal 3 Öffnungen	800		800		220075
Samlekanal 4 åbninger		700	700	700	221076
Connecting flue 4 openings		800	700	700	221077
		800	800	700	221078
Verbindungskanal 4 Öffnungen		800	800	800	220079
Endebund		700			221037
End plate		800			
Boden					220038




Navn Description Bezeichnung	Skitse Sketch Skizze	A	B	C	Warenr. Part no. Teil Nr.
Endebund m. net End plate w. net		700			221048
Boden m. Netz		800			220049
45° bøjning 45° bend		700			221026
45° Bogen		800			220027
30° bøjning 30° bend		700			221030
30° Bogen		800			220031
Reduktion Taper Reduktion		800	700	L=200	221150
Overgang Transition piece Übergangsstück		700	L=350	ø800 sp	221039
		800	L=350	ø900 sp	220040
Kanalbæring Flue support Kanalträger		800	L=1200		220036
Finfilter 3.500 m³/h Return air filter 3.500m³/h Feinfilter 3.500 m³/h		700	600		221050
		800	600		220051
Finfilter 7.000 m³/h Return air filter 7.000m³/h Feinfilter 7.000 m³/h		700	700	1000	221052
		800	800	1000	220053
Finfilter 10.00 m³/h Return air filter 10.000m³/h Feinfilter 10.000 m³/h		700	700	1000	221054
		800	800	1000	220055
Finfilter 14.00 m³/h Return air filter 14.000m³/h Feinfilter 14.000 m³/h		700	700	1400	221056
		800	800	1400	220057

HIGH-END DUST HANDLING SOLUTIONS & SURFACE TREATMENT

FILTERS - FANS - DUCTING - SILOS - OUTFEEDERS - CONVEYERS - TRUCKLOADERS - CYCLONES - FINISHING LINES

Navn Description Bezeichnung	Type Type typ		Warenr. Part No. Teilnr.
EP-skinner - sæt EP joints - set EP -Schienen - Satz	Kanal 700 / Flue 700 / Kanal 700 Kanal 800 / Flue 800 / Kanal 800		221044 220045
Spjældmotor on/off Throttle motor on/off Klappenmotor ein/aus	Belimo SM 230A on/off 230V Belimo SM 24ASR on/off 24V		610002 610001
Spjældmotor, modulerende Throttle motor modulating Klappenmotor modulierend	Belimo SM 230ASR 230V Belimo SM 24ASR 24V		610005 610006
Tillæg til el-tavle for spjældmotor Extra setup control cabinet - motor Ergänzung Schalttafel f/Klappenmotor	Belimo 24Vdc/230Vac		4021

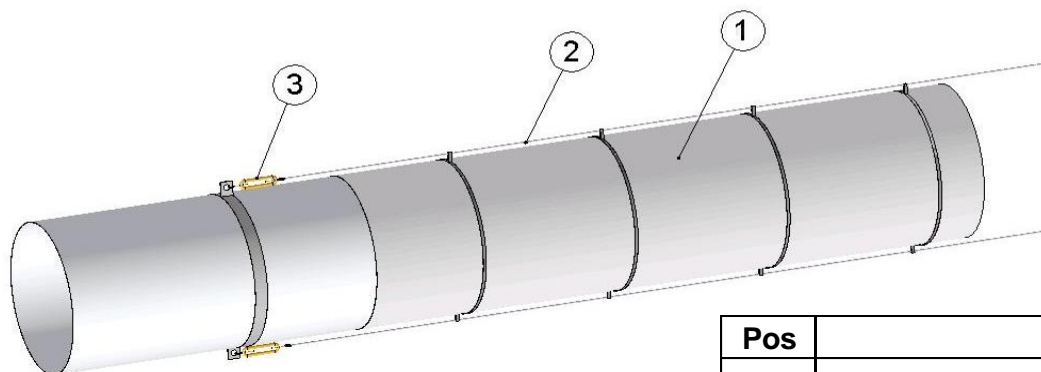
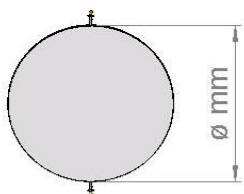
Final-filters

Navn Description Bezeichnung	Filterklasse Filter class Filterklasse		Warenr. Part No. Teilnr.
Kuvertfilter EU5 for returluft Pocket filter EU5 f/return-air Taschenfilter EU5 f/Rückluft	Coarse 80% - ISO 16890 M5 - EN 779		820044
Kuvertfilter EU7 for returluft Pocket filter EU7 f/return-air Taschenfilter EU7 f/Rückluft	ePM1 60% - ISO 16890 F7 - EN 779		820045
Kuvertfilter EU6 med aktiv kul Pocket filter EU6 Carboactive Taschenfilter EU6 Aktivkohle	ePM10 75% - ISO 16890 M6 - EN 779		80000402

- EU5: Default. Provides an indicative residual dust amount of <0.2mg/m3 in most plant types. Low pressure loss and thus low energy consumption as well as a good price.
- EU7: Better filtration – especially if the risk of fungal spores etc. is present. About 2-3 times the pressure loss and price.
- EU6 carbon: Activated carbon reduce odours and better filtering than standard. Approx. 8 x price compared to standard.

Bag for air handling unit

Type: ARP



Pos	
1	Bag f. air ahndling unit
2	Wire
3	Wire tightener

Technical data:

Bags Ø mm	Quality of fabric m ³ /h/m				Max. Quantity of air m ³ /h	Part No.	
						Complete set	Spare bag
200	95	202	492	756	1.100	800014	800059
250	119	253	616	948	1.700	800015	800060
315	149	317	773	1188	2.800	800016	800061
400	189	403	983	1512	4.500	800017	800050
500	235	502	1225	1884	7.000	800018	800051
630	297	634	1544	2376	11.000	800019	800052
710	335	714	1739	2676	14.000	800020	800053
800	377	803	1958	3012	18.000	800021	800054
900	425	906	2207	3396	23.000	800022	800055
1000	471	1005	2449	3768	28.000	800023	800056
1100	519	1107	2699	4152	34.000	800024	800057
m ³ /m ²	150	320	780	1200			
Normal							

Complete with double suspension, belt and wire

Calculated with a pressure drop of 12 mmWG.

Excl. of any rings sewed in.

When dimensioning the max. air velocity in the inlet of the bag must not exceed 10 m/s.

Rotary Valve

Type ABS



Surface Treatment Plants - Spray Machines

Spray Booths - Drying Ovens - Finishing Line

The Aagaard rotary valve is designed to control the flow of waste, such as wood shavings, dust, granulate, corn and a wide range of other materials from collection, transport systems and silos.

The valve prevents air from being discharged with the waste, for example from a cyclone or filter.

The modular construction includes a six-sector rotor with replaceable, hard wearing neoprene rubber blades for normal use but on request a fire safe material can be provided for use with temperatures up to 250°C.

The valve is complete with easily removable reduction gear, fixed speed drive rated at 0.37 or 0.55 kW motor depending on size.

Variable speed units and special valves can be supplied to suit other materials such as paper and millboard. Prices on application.

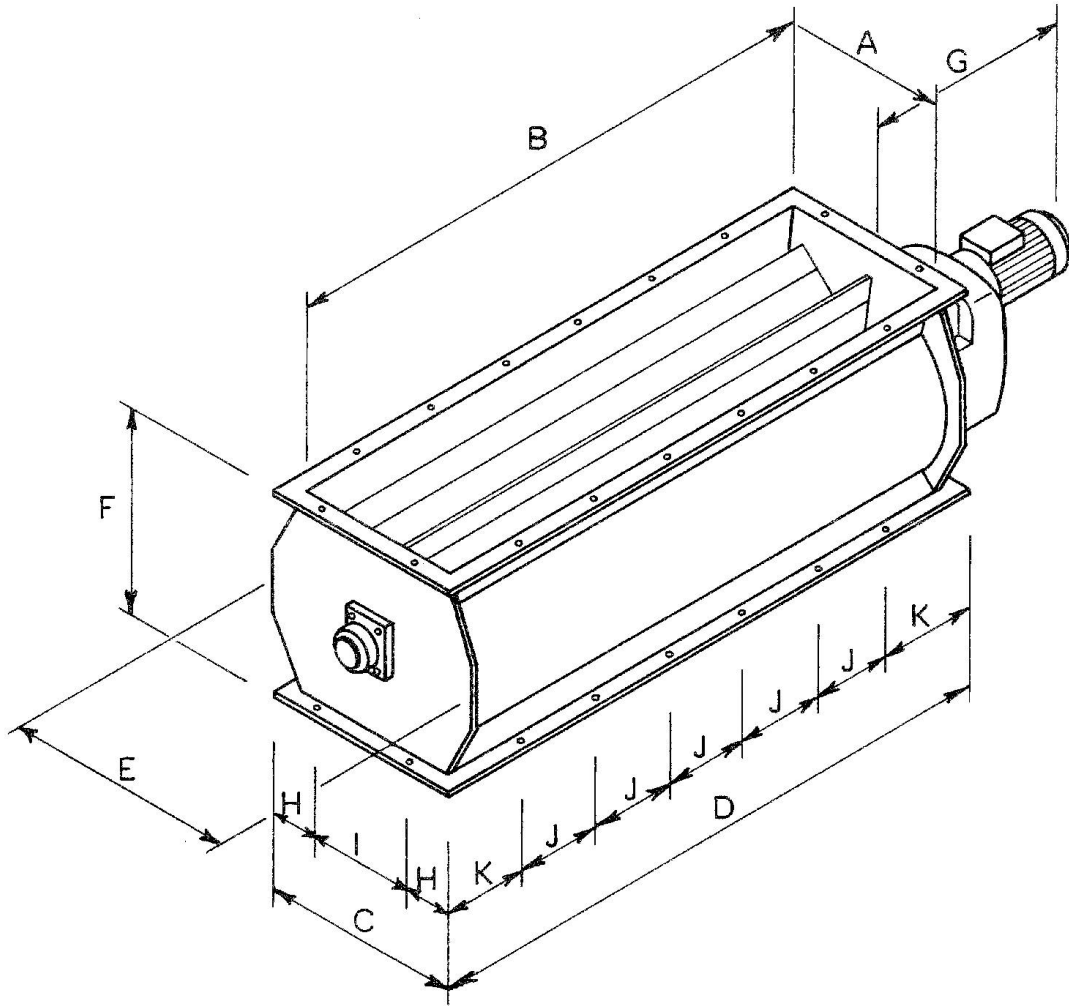
OBEL-P GROUP
Aagaard A/S

Smedevænget 14, DK-9560 Hadsund

Phone +45 96 531 200 Fax +45 98 574 215 E-mail: mail@aagaard-systems.dk

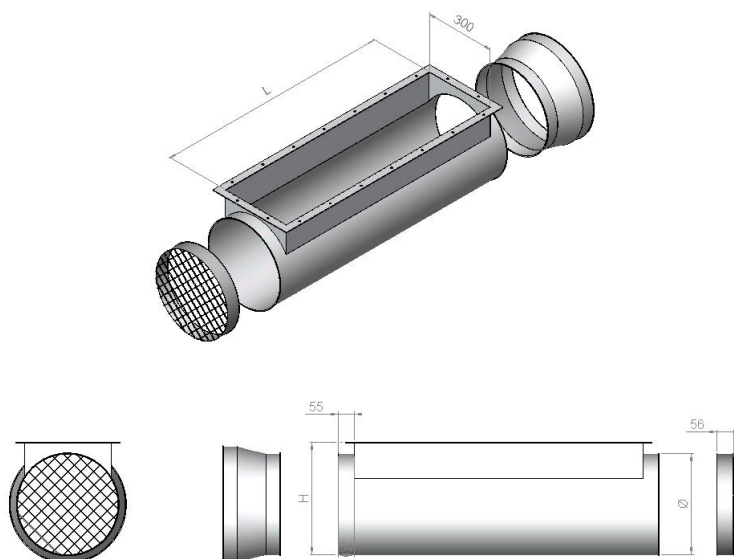
Technical Data

Rotary Valve ABS



Type	A	B	C	D	E	F	G	H	I	J	K	r.p.m.	kW	Weight kg	No.
ABS 250	300	250	360	310	405	350	370	105	150	150	80	29	0.37	58	160250
ABS 400	300	400	360	460	405	350	370	105	150	150	80	29	0.37	68	160400
ABS 750	300	750	360	810	405	350	415	105	150	150	105	29	0.55	83	160750
ABS 1000	300	1000	360	1060	405	350	415	105	150	150	80	29	0.55	97	161000
ABS 1500	300	1500	360	1560	405	350	415	105	150	150	105	29	0.55	125	161500
ABS 2000	300	2000	360	2060	405	350	415	105	150	150	130	29	0.55	153	162000

Suction pipe With flange and net



The suction is installed under the rotary valve for installation of the transport pipe.

Technical Data:

Rotary valve ABS	ø200	
	H	Item no.
400	240	160044
750		160048
1000		160052
1500		160056
2000		160060

Rotary valve ABS	ø250	
	H	Item no.
400	290	160045
750		160049
1000		160053
1500		160057
2000		160061

Rotary valve ABS	ø300	
	H	Item no.
400	340	160046
750		160050
1000		160054
1500		160058
2000		160062

Rotary valve ABS	ø350	
	H	Item no.
400	390	160047
750		160051
1000		160055
1500		160059
2000		160063

OBEL-P GROUP
Aagaard A/S

Smedevænget 14, DK-9560 Hadsund
Telefon +45 96 531 200 Fax +45 98 574 215 E-mail: mail@aagaard-systems.dk

Fans- Cyklons - Pipesystems

Rotary Valve

ABS 450x1000/1500

Aagaard rotary valve is intended for pressureless extraction of chips, granules, dust, grain etc. to silo, container or other machinery.

The valve can be mounted under the filter, cyclone or chain conveyor. It is divided into 6 chambers and is supplied with durable 5mm EPDM rubbers. Other types of rubber can be supplied by appointment.

The valve is with a robust 1.5kW direct-coupled gear motor and with inductive rotary guard.

The valve is Ex II 2D certified for zones 21 and 22 inside.

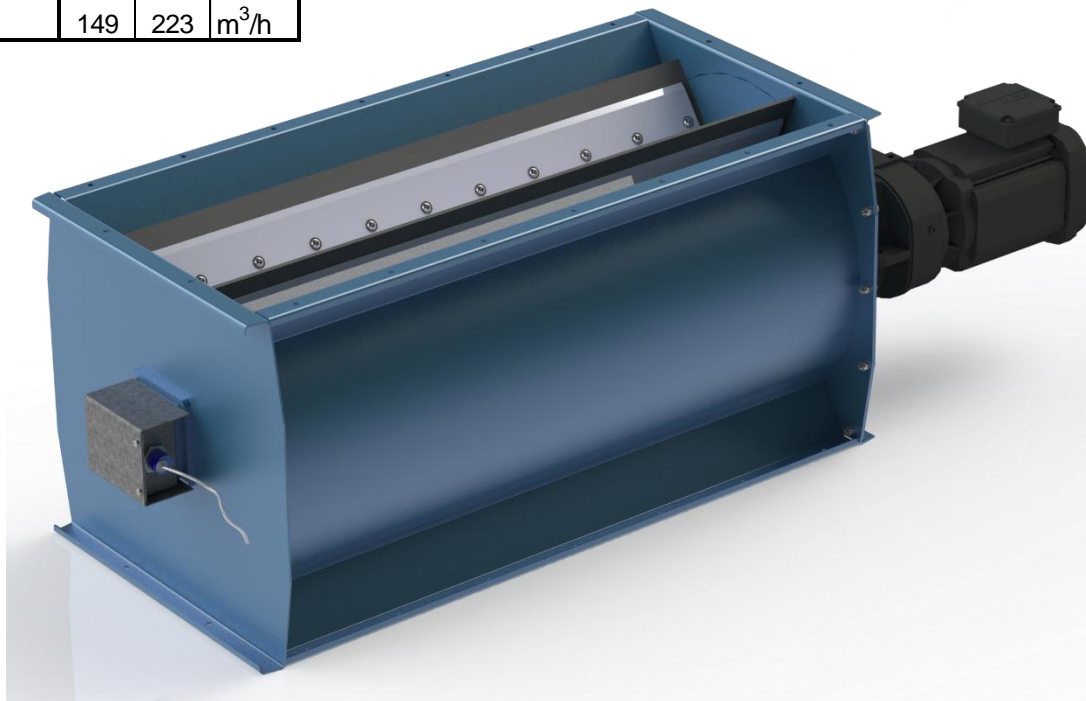
Operating pressure at dust side:

ABS 450x1000: -3000 - + 3000 Pa.

ABS 450x1500: - 2000 - + 3000 Pa.

Capacity:

	ABS 450x		
Filling	1000	1500	
100%	298	447	m ³ /h
50%	149	223	m ³ /h



HIGH-END DUST HANDLING SOLUTIONS & SURFACE TREATMENT

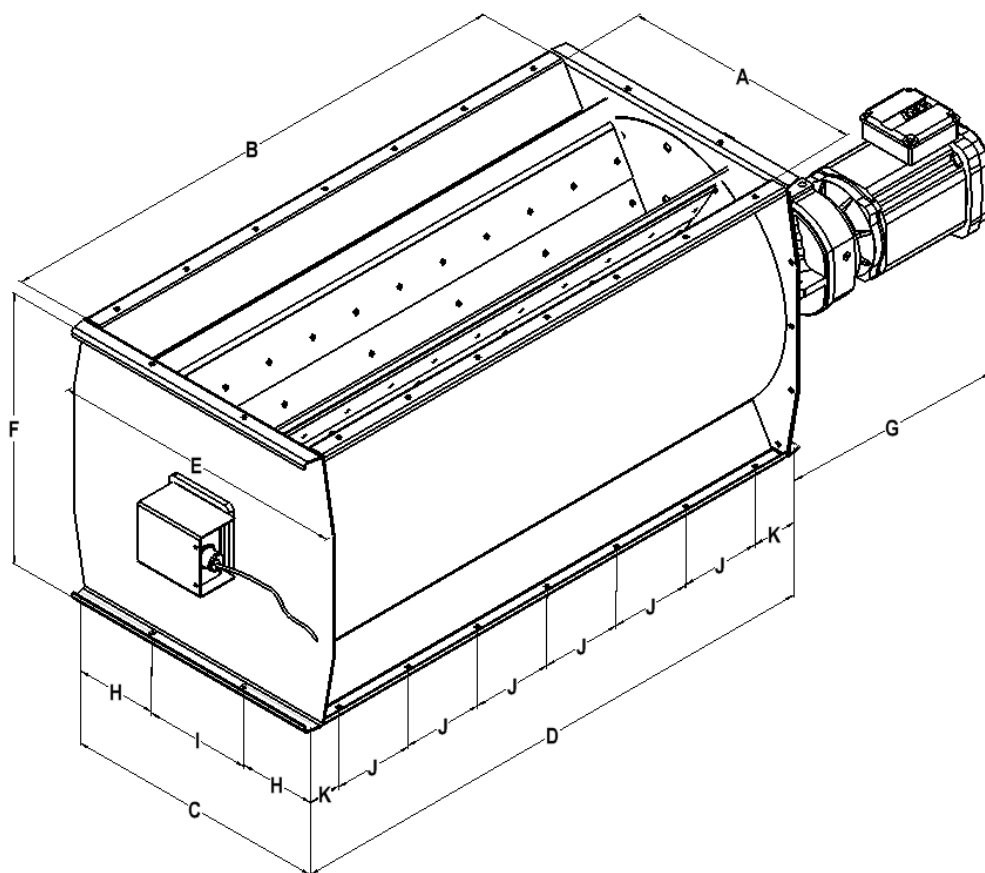
FILTERS - FANS - DUCTING - SILOS - OUTFEEDERS - CONVEYERS - TRUCKLOADERS - CYCLONES - FINISHING LINES

Rotary Valve.

ABS 450x1000 / 450x1500

Technical data:

The housing is made of welded certified sheetmetal painted with durable industrial paint.
The rotor is made of a robust shaft with rubbers mounted on steel blades.



Type	A	B	C	D	E	F	G	H	I	J	K	Weight	Item No.
ABS 450x1000	450	1000	510	1060	230	506	530	155	200	150	80	180	161300
ABS 450x1500	450	1500	510	1560	230	506	530	155	200	150	105	243	161400

Rotary Valve.

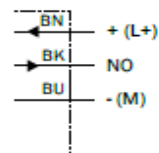
Connection

Electrical

Gearmotor FAF57DRN90L4	28 min ⁻¹ 230/400Vac - 1,5kW IE3 5,9/3,4 A	80000622
Inductive sensor (1pulse/rev.)	10..30Vdc M30 PNP NO	1218



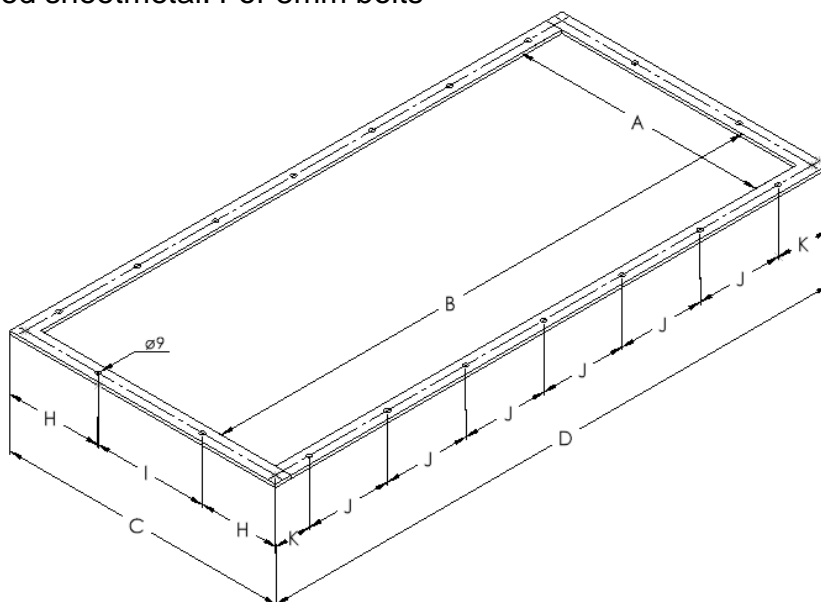
cd-001



Options

Flange for rotary valve

6mm Galvanized sheetmetal. For 8mm bolts



Type	A	B	C	D	H	I	J	K	Item No.
ABS 450x1000	450	1000	510	1060	155	200	150	80	161207-G
ABS 450x1500	450	1500	510	1560	155	200	150	105	161413-G

Safety Rotary Valve ABS ATEX

ATEX certified

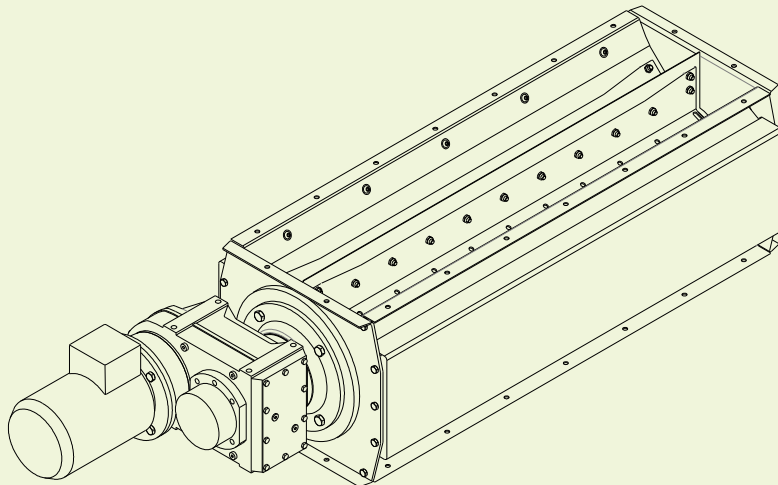


Aagaard rotary valve is intended for pressureless extraction of chips, granules, dust, grain, etc. in silo, container or another container.

The valve can be placed under a filter or a cyclone.

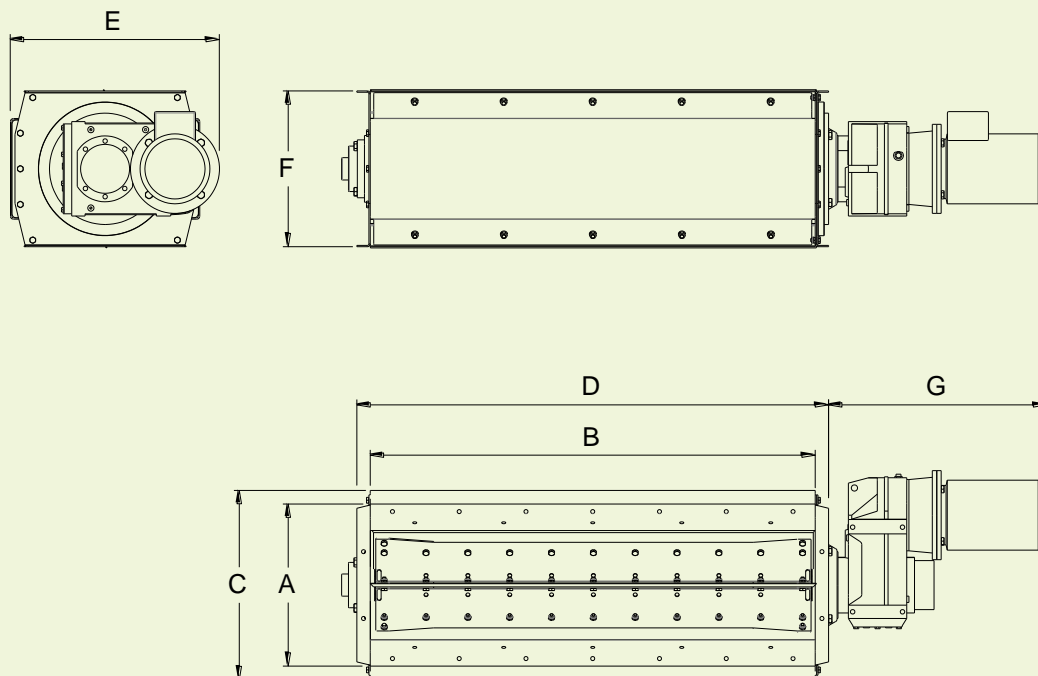
It is divided into 8 chambers and comes standard with durable 8 mm PUR rubber blades.

The lock comes complete with 1,5 kW gear motor. The lock has been tested and approved as safety equipment according to the ATEX Directive. Ex II D St. 1 and may be inserted for use in zones 20, 21 and 22 int.



Technical Data

Rotary valve type ABS ATEX



Type	A	B	C	D	E	F	G	kW	rpm	m ³ /h *	Kg	Product code
ABS 250 ATEX	300	250	364	310	455,5	350	490	1,5	16	19	117	161A0010
ABS 400 ATEX	300	400	364	460	455,5	350	490	1,5	16	31	127	161A0009
ABS 750 ATEX	300	750	364	810	455,5	350	490	1,5	16	58	173	161A0008
ABS 1000 ATEX	300	1000	364	1060	469,6	350	490	1,5	16	77	258	161A0004

*at 100% filling

Cyclone.

AC 500 - 2000

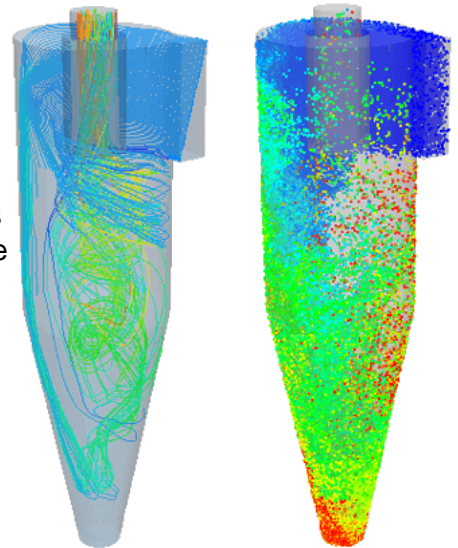
Function:

The dirty air is fed into the cylindrical upper, causing the air to rotate. The material is forced out towards the periphery of the cyclone under the influence of the centrifugal force and is passed out through the hole at the bottom. The purified air leaves the cyclone through the centrally placed outlet pipe at the top.

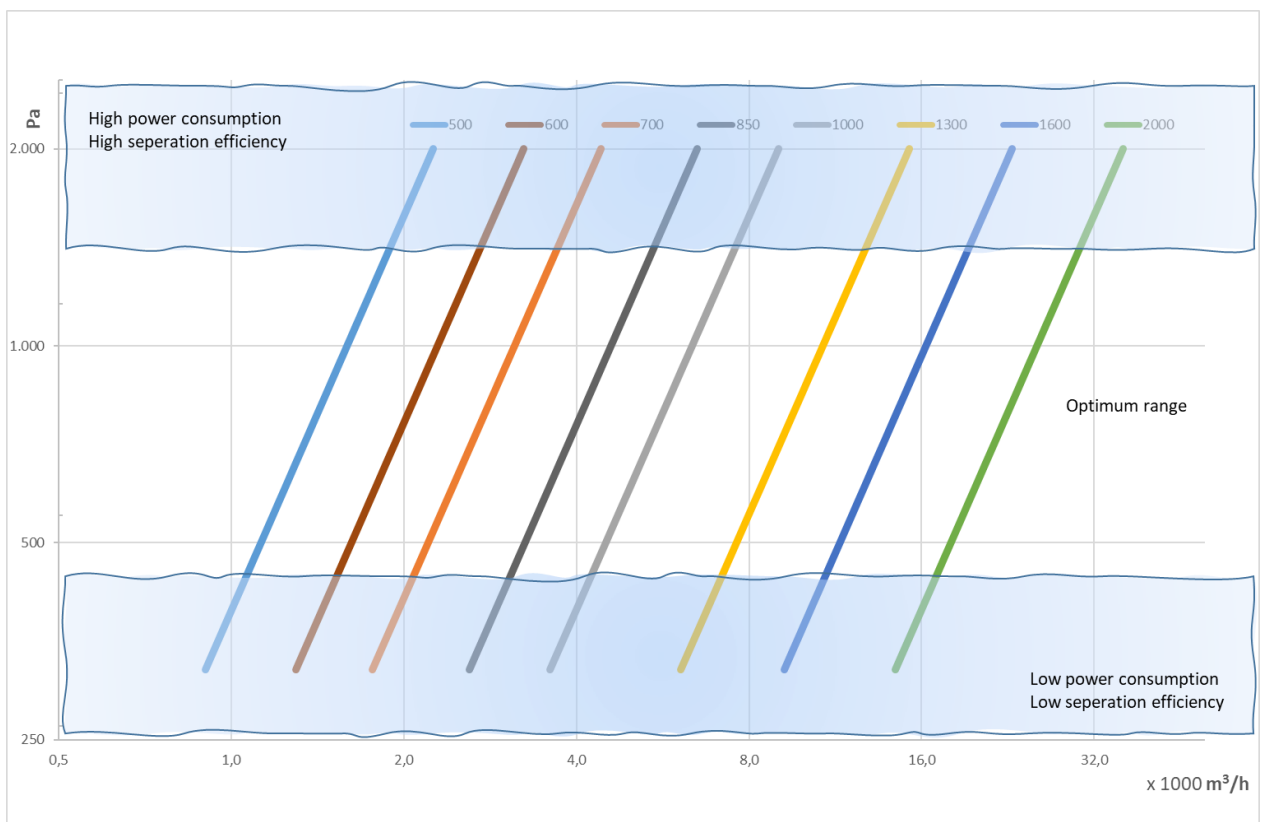
The separation capacity increases with the feed rate, but so does the pressure loss and thus the energy consumption. It is therefore a question of finding a good compromise.

Aagaard has developed a series of cyclones optimized for filtration of light and large quantities of material. It is thus particularly suitable for the wood/paper/recycling and grain/feed industries.

Below, the right size cyclone can be selected based on air flow and a typical pressure drop in the vicinity of 1000 Pa.



Operational pressure +/- 5000 Pa.



HIGH-END DUST HANDLING SOLUTIONS & SURFACE TREATMENT

FILTERS - FANS - DUCTING - SILOS - OUTFEEDERS - CONVEYERS - TRUCKLOADERS - CYCLONES - FINISHING LINES

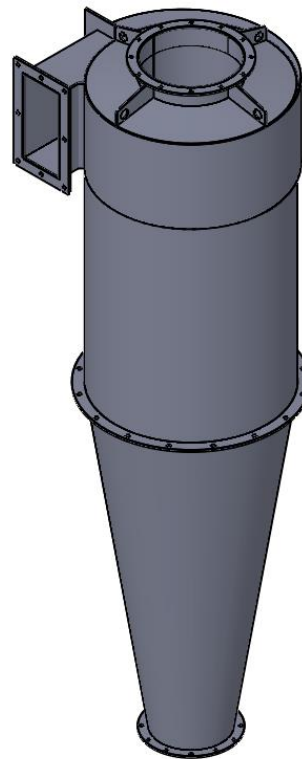
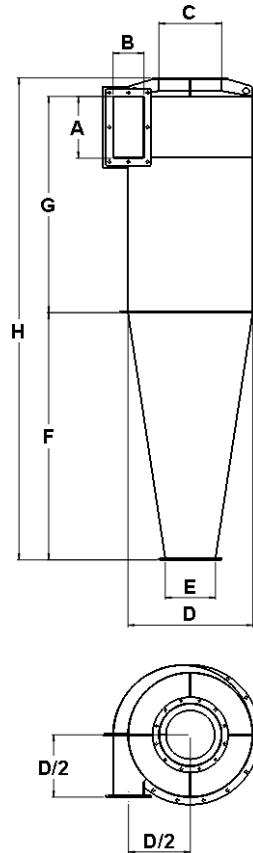
Cyclone

AC 500 - 2000

Technical data:

Constructed with tangential inlet on the right or left side relative to the output axis.

Left shown



Type	A	B	C	D	E	F	G	H	Weight[kg]	Item No.
AC 500	250	125	250	500	200	1000	875	1950	65	208A0500
AC 600	300	150	300	600	250	1200	1050	2350	90	208A0600
AC 700	350	175	350	700	275	1400	1225	2725	120	208A0700
AC 850	425	212	450	850	350	1700	1490	3300	160	208A0850
AC 1000	500	250	500	1000	400	2000	1750	3875	235	208A1000
AC 1300	650	325	650	1300	500	2600	2275	5025	550	208A1300
AC 1600	800	400	800	1600	650	3200	2800	6175	815	208A1600
AC 2000	1000	500	1000	2000	800	4000	3500	7695	1240	208A2000

AC 500 - 2000

Technical data:

The collection efficiency is listed below in relation to the particle size.

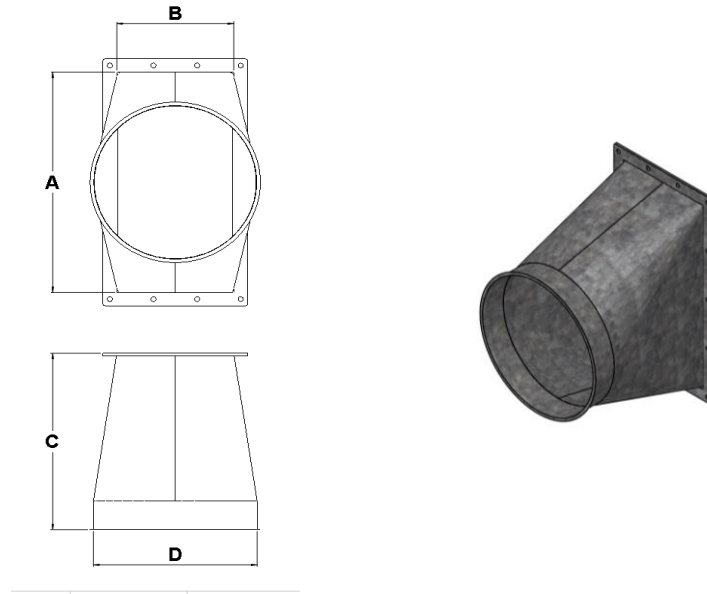
This is the theoretical value of a material density of 100kg/m³ and 10m/s in feed speed.



Options

Cyclone inlet

Symmetrical transition-piece from 0.75-0.9mm. galvanized sheetmetal with edge for clamps.



Type	A	B	C	D	Item No.
Inlet Cyklone AC 500	250	125	400	ø125-ø180	224A0500
Inlet Cyklone AC 600	300	150	400	ø140-ø200	224A0600
Inlet Cyklone AC 700	350	175	400	ø180-ø250	224A0700
Inlet Cyklone AC 850	425	212	400	ø200-ø300	224A0850
Inlet Cyklone AC1000	500	250	400	ø250-ø350	224A1000
Inlet Cyklone AC1300	650	325	400	ø315-ø450	224A1300
Inlet Cyklone AC1600	800	400	400	ø400-ø500	224A1600
Inlet Cyklone AC2000	1000	500	400	ø500-ø700	224A2000

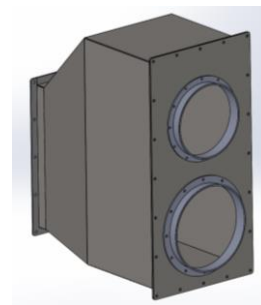
Other inlet solutions

e.g.

blind-plate with sprout

Inlet box with none-return flap

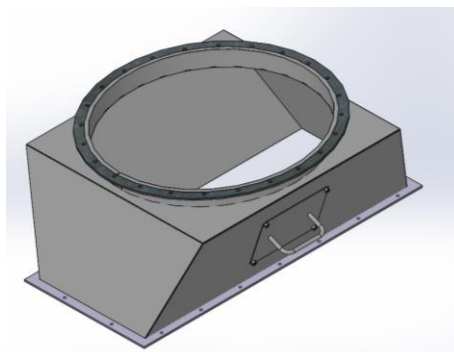
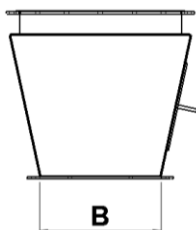
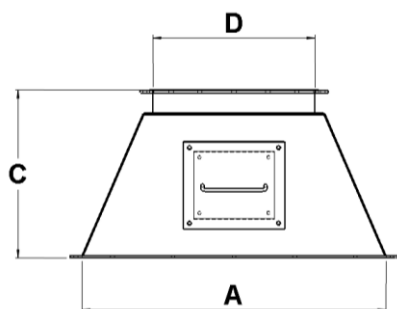
Offer on request



Options

Transition piece for rotary valve

Made from 2mm painted sheetmetal with removable hatch.

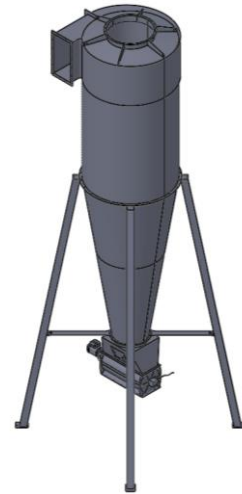
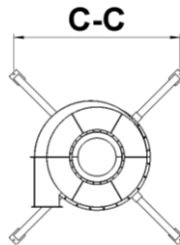
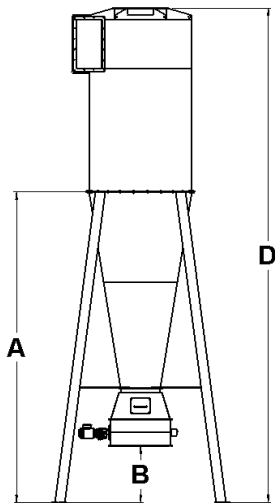


Type	A	B	C	D	Weight[kg]	Item No.
Transition AC 500-ABS 250	250	300	413	ø200	15	224A0501
Transition AC 500-ABS 400	400	300	413	ø200	18	224A0502
Transition AC 600-ABS 250	250	300	413	ø250	18	224A0601
Transition AC 600-ABS 400	400	300	413	ø250	19	224A0602
Transition AC 700-ABS 400	400	300	413	ø275	20	224A0702
Transition AC 700-ABS 750	750	300	413	ø275	24	224A0703
Transition AC 850-ABS 400	400	300	413	ø350	24	224A0852
Transition AC 850-ABS 750	750	300	413	ø350	25	224A0853
Transition AC1000-ABS 400	400	300	413	ø400	25	224A1002
Transition AC1000-ABS 750	750	300	413	ø400	28	224A1003
Transition AC1000-ABS1000	1000	300	413	ø400	30	224A1004
Transition AC1300-ABS 750	750	300	413	ø500	31	224A1303
Transition AC1300-ABS1000	1000	300	413	ø500	33	224A1304
Transition AC1600-ABS 750	750	300	569	ø650	35	224A1603
Transition AC1600-ABS1000	1000	300	569	ø650	38	224A1604
Transition AC1600-ABS1000 CAN	1000	450	413	ø650	37	224A1605
Transition AC2000-ABS1000 CAN	1000	450	413	ø800	43	224A2005

Options

Legs

Made from painted square steel profiles.



Type	A	B	C-C	D	Weight[kg]	Item No.
Legs f. AC 500	2513	750	1110	3463	45	208A0501
Legs f. AC 600	2713	750	1237	3863	60	208A0601
Legs f. AC 700	2913	750	1379	4238	75	208A0701
Legs f. AC 850	3213	750	1591	4813	100	208A0851
Legs f. AC1000	3507	750	1782	5388	125	208A1001
Legs f. AC1300	4107	750	2156	6538	165	208A1301
Legs f. AC1600	4863	750	2574	7688	275	208A1601
Legs f. AC2000	5507	750	3076	9210	400	208A2001

Outlet piece

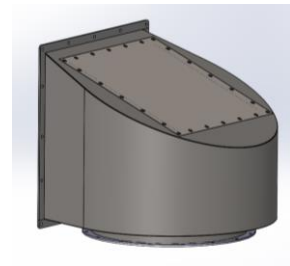
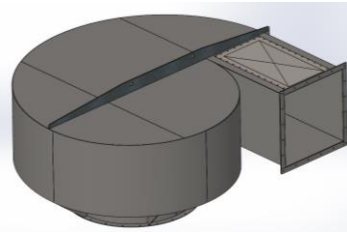
Made from 2mm painted sheetmetal.

E.g.

Tangential outlet with/without explosion panel

Square outlet with/without explosion panel

Offer on request.

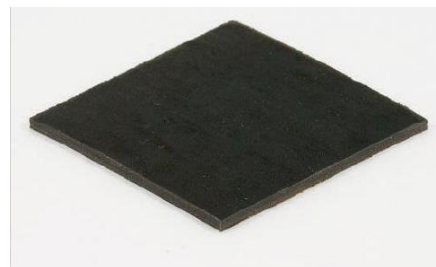


Options

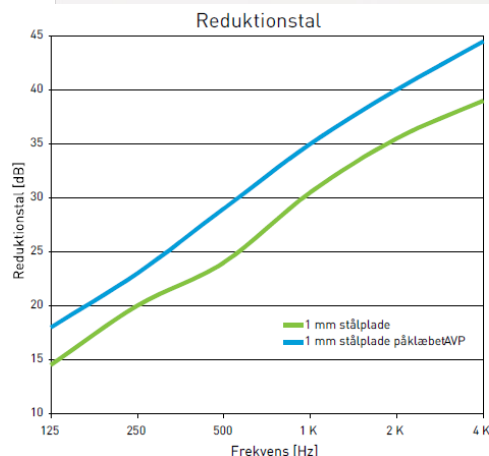
Soundproofing

Adhesive insulation material 7.5kg/m²

Made of EVA-based rubber suitable for wind and weather.



Type	Weight[kg]	Item No.
Soundprof. f. AC 500	24	170550-21
Soundprof. f. AC 600	34	170600-21
Soundprof. f. AC 700	45	170700-21
Soundprof. f. AC 850	67	170850-21
Soundprof. f. AC1000	92	171000-21
Soundprof. f. AC1300	155	171300-21
Soundprof. f. AC1600	230	171600-21
Soundprof. f. AC2000	368	172000-21



Multi-cyclone

AMCI 1x1 – 5x5

Multicyclones are intended for the separation of particles in flue gases from boilers fired with solid fuel or waste.

Cyclones are maintenance-free. The smaller the cyclone, the finer the particles it can separate/collect – unfortunately, energy consumption also gets higher. The solution is many small cyclone cells of which Multi-cyclone. High separation and low energy consumption.

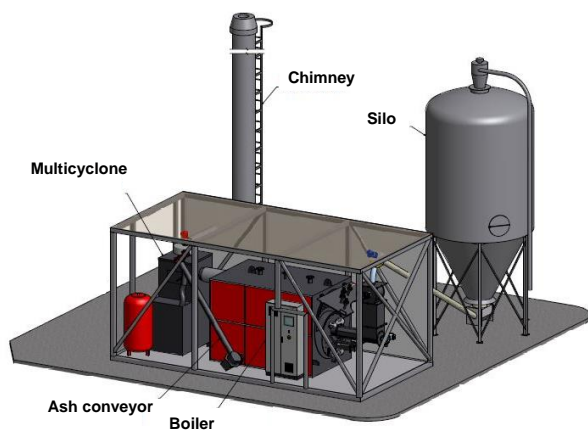
The flue gas can be cleaned down to a purity between 30-300 mg/Nm³ depending on the method of firing and the efficiency of the boiler.

Multicyclones can also be used to separate particles from process air in other industrial branches.

Openings and discharges are equipped with flanges for connection directly to flue gas pipes or chimneys.

Multi-cyclones come with support-legs and are equipped with soot bin for collecting separated particles but can also be connected to conveyors via rotary valves.

The multicyclone is equipped with inspection doors.



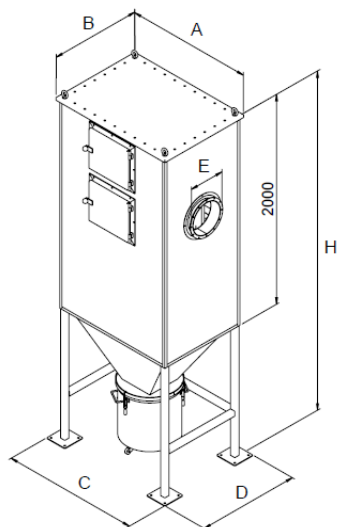
HIGH-END DUST HANDLING SOLUTIONS & SURFACE TREATMENT

FILTERS - FANS - DUCTING - SILOS - OUTFEEDERS - CONVEYERS - TRUCKLOADERS - CYCLONES - FINISHING LINES

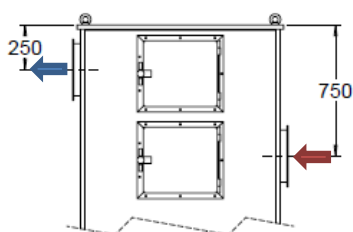
For bin or rotary valve

Technical data:

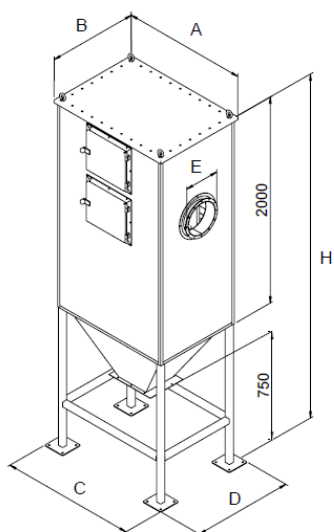
The placement and design of inlet and outlet flanges is carried out according to the sketch and schedule. A cleaning/inspection door is placed in the inlet and outlet section.



Multicyclone AMCI 1x1 - 5x5 with bin									
Nom. flow m ³ /h	Type	A	B	C	D	E	Height	Weight	Art. No.
		mm	mm	mm	mm	mm	mm	kg	
500	1x1	700	700	800	800	ø150	3000	400	180500
1000	2x1	870	700	970	800	ø200	3000	450	180510
1500	3x1	1200	700	1300	800	ø250	3250	575	180520
2000	2x2	870	870	970	970	ø250	3000	500	180050
3000	3x2	1200	870	1300	970	ø300	3250	675	180060
4000	4x2	1530	870	1630	970	ø350	3500	800	180070
4500	3x3	1200	1200	1300	1300	ø350	3250	850	180100
5000	5x2	1860	870	1960	970	ø350	3500	950	180138
6000	4x3	1530	1200	1630	1300	350x600	3500	1000	180150
7500	5x3	1860	1200	1960	1300	350x600	3500	1150	180139
8000	4x4	1530	1530	1630	1630	350x1000	3500	1200	180200
10000	5x4	1860	1530	1960	1630	350x1000	3750	1400	180350
12500	5x5	1860	1860	1960	1960	350x1000	3750	1500	180400



Multicyclone AMCI 1x1 - 5x5 for rotary valve									
Nom. Flow m ³ /h	Type	A	B	C	D	E	Height	Weight	Art. No.
		mm	mm	mm	mm	mm	mm	kg	
500	1x1	700	700	800	800	ø150	3000	375	180501
1000	2x1	870	700	970	800	ø200	3000	425	180511
1500	3x1	1200	700	1300	800	ø250	3250	550	180521
2000	2x2	870	870	970	970	ø250	3000	475	180000
3000	3x2	1200	870	1300	970	ø300	3250	650	180061
4000	4x2	1530	870	1630	970	ø350	3500	775	180071
4500	3x3	1200	1200	1300	1300	ø350	3250	825	180120
5000	5x2	1860	870	1960	970	ø350	3500	925	180151
6000	4x3	1530	1200	1630	1300	350x600	3500	975	180160
7500	5x3	1860	1200	1960	1300	350x600	3500	1125	180152
8000	4x4	1530	1530	1630	1630	350x1000	3500	1175	180300
10000	5x4	1860	1530	1960	1630	350x1000	3750	1375	180351
12500	5x5	1860	1860	1960	1960	350x1000	3750	1475	180401



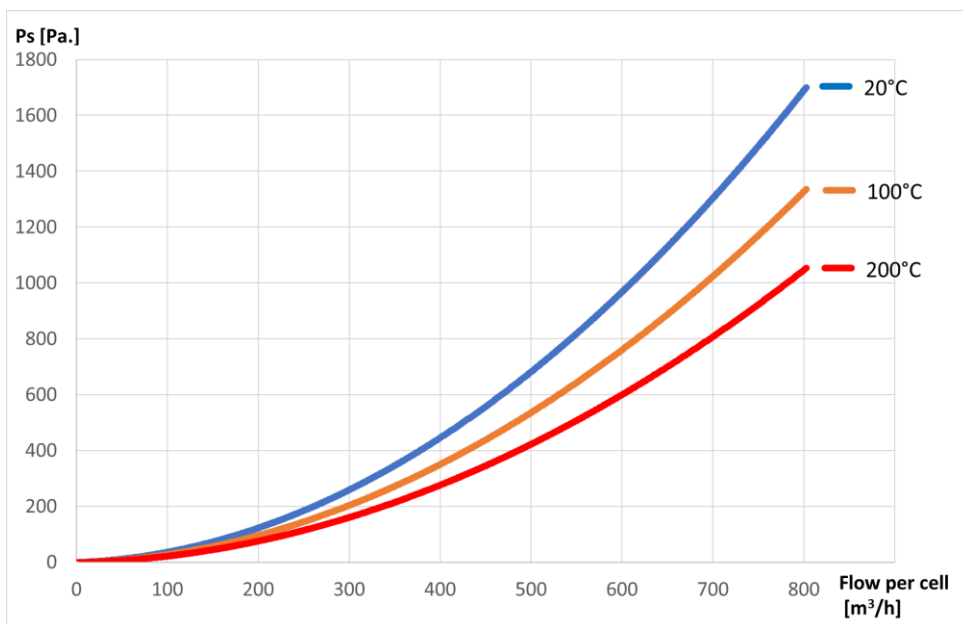
HIGH-END DUST HANDLING SOLUTIONS & SURFACE TREATMENT

FILTERS - FANS - DUCTING - SILOS - OUTFEEDERS - CONVEYERS - TRUCKLOADERS - CYCLONES - FINISHING LINES

AMCI 1x1 – 5x5

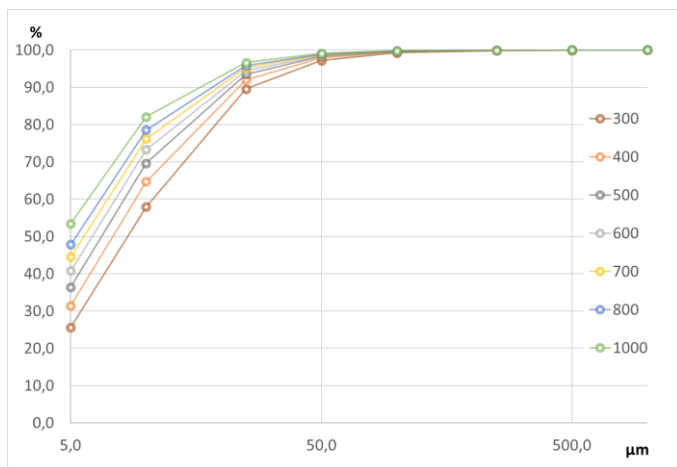
Pressure loss

Pressure loss at different temperatures is indicated below in relation to the flow through one cyclone cell. 3000 m³/h in an AMCI 3x2 gives 3000/(3x2) = 500 m³/h per cyclone.

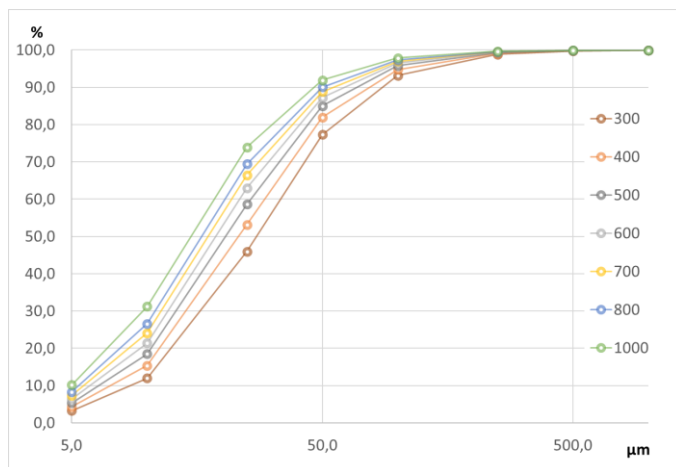


Collection Efficiency

The collection efficiency is indicated below in relation to particle size. This is the theoretical value of a material density of 100kg/m³ and 1000kg/m³.



1000 kg/m³ at different flow per cell

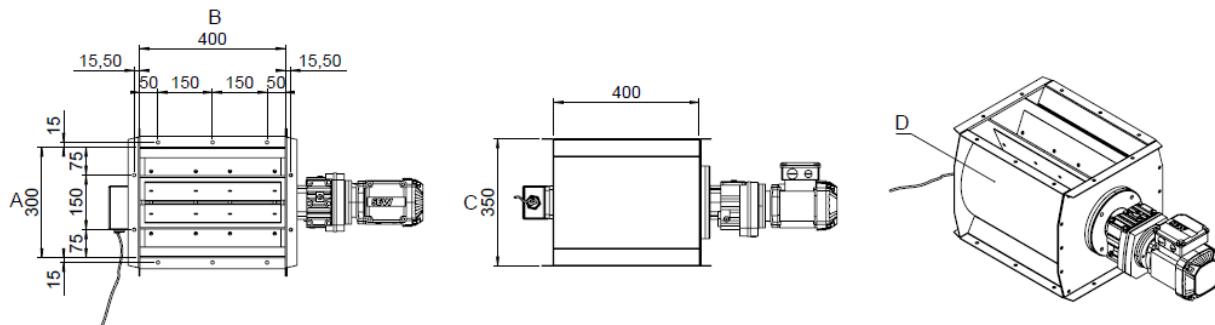


100 kg/m³ at different flow per cell

Options

Rotary valve ABS 400 – 8 chambers

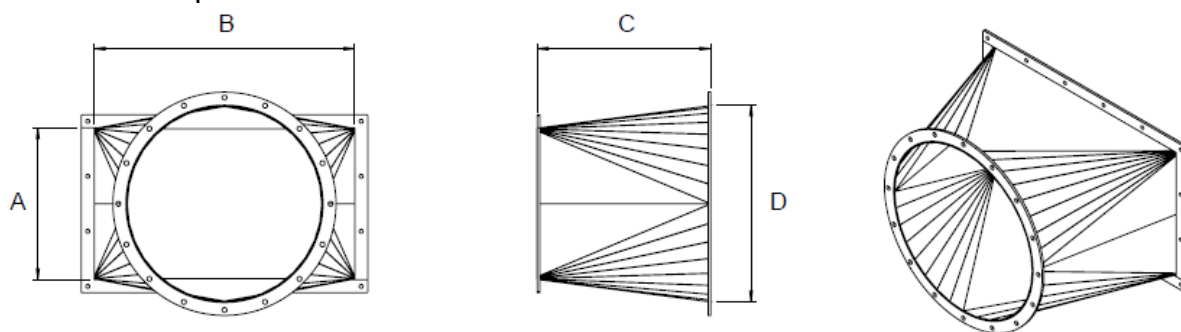
Rotary valve made with heat-resistant paint and silicone rubber for flue gas below 150°C. 8 blades for extra tightness. Slowly rotating gear motor with 5 RPM for minoring leakage. Capacity of around 5 m³/h at 50% filling.



Type	A	B	C	D	Article No.
Rotary valve ABS 400 heat-resistant	300	400	350	ø350	160400-8

Inlet and outlet

Symmetrical transition piece in 2mm plate with round flange for bolt assembly. Made with heat resistant paint.



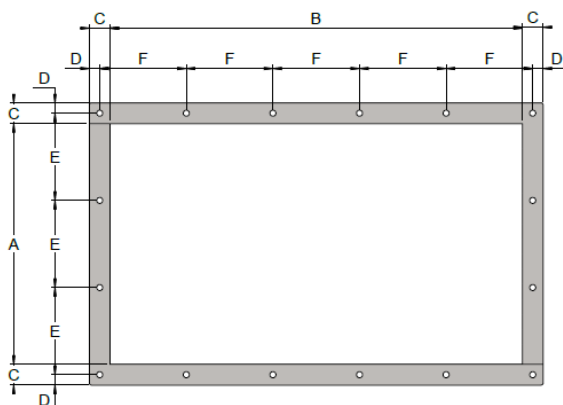
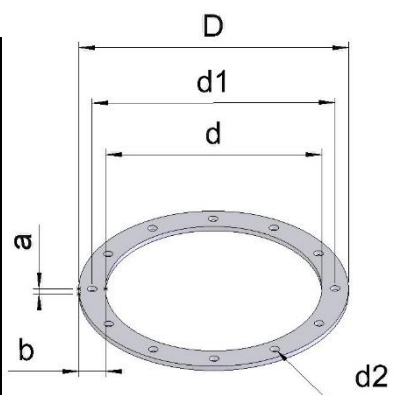
Type	A	B	C	D	Article No.
Transition AMCI 350x 600 / ø450	350	600	400	ø450	180450
Transition AMCI 350x1000 / ø600	350	1000	400	ø600	180460

Flanges

Inlet and outlet for multicyclones

Welded spigot with fixed flange. Special flange option - see next page

Type	d	D	d ¹	a	b	d ²	c	Bolts	Article No.
	mm	mm	mm	mm	mm	mm			
150	153	203	185	5	25	9	8	M 8	780005
200	203	253	235	5	25	9	12	M 8	780007
250	253	303	285	5	25	9	12	M 8	780008
300	304	354	336	5	25	9	12	M 8	780009
350	354	414	389	6	30	11	12	M 10	780010
450	455	515	489	6	30	11	16	M 10	780012
600	605	515	620	6	30	11	16	M 10	780118



Type	A mm	B mm	C mm	D mm	E mm	F mm	Bolts	Article No.
350x600	350	600	30	15	126,7	126,0	M 8	180452
350x1000	350	1000	30	15	126,7	128,8	M 8	180462

Multi-cyclone.

Customer : _____ .

Order No. : _____ .

Delev. time : _____ .

Destination : _____ .

_____ .
_____ .

Type : _____ .

Special-dimensions

Height : _____ .

Inlet.height : _____ .

Inlet.dim. : _____ .

Inlet. pos : **N / S / E / W** _____ .

Out. height : _____ .

Out. dim : _____ .

Out. Pos. : **N / S / E / W** _____ .

Hatch inlet pos: **N / S / E / W** _____ .

Hatch out pos : **N / S / E / W** _____ .

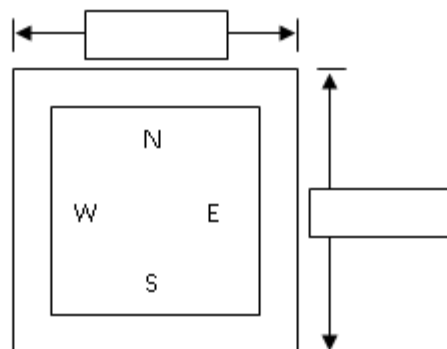
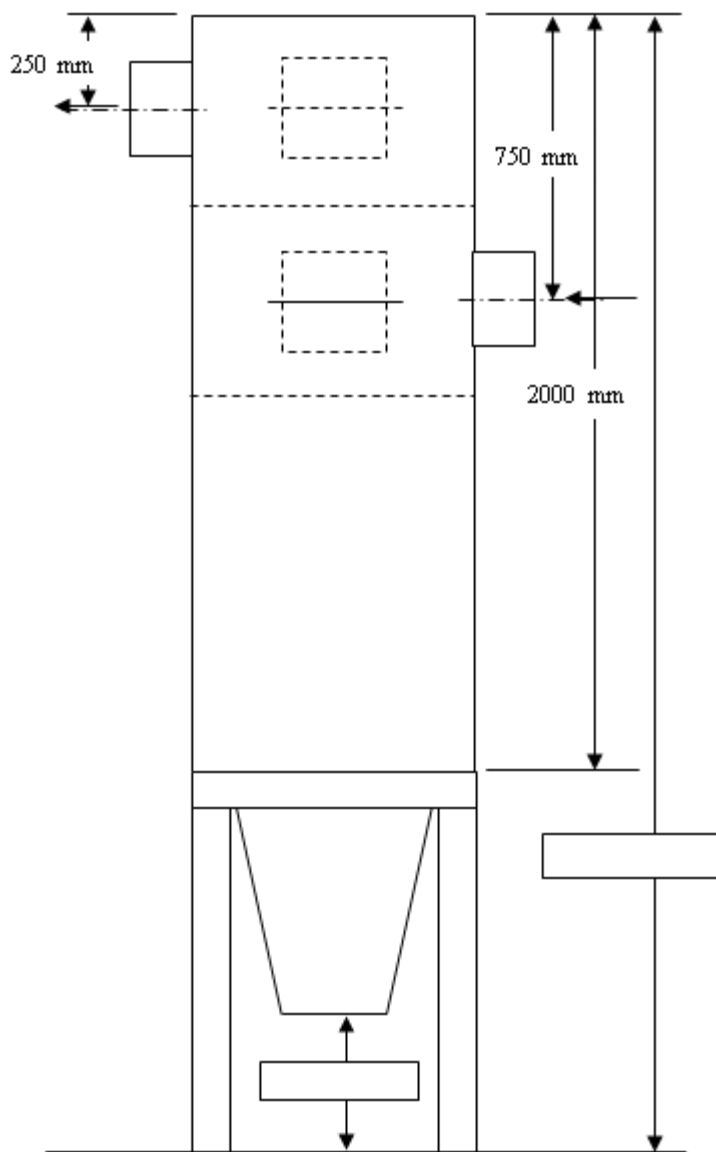
Bin out pos : **N / S / E / W** _____ .

Flange-height RV: _____ .

Flange-meas. RV: _____ .

Only dimensions that are different from the default specified in the scheme must be specified.

Inspection doors and bin-out are usually on the same side.



HIGH-END DUST HANDLING SOLUTIONS & SURFACE TREATMENT

FILTERS - FANS - DUCTING - SILOS - OUTFEEDERS - CONVEYERS - TRUCKLOADERS - CYCLONES - FINISHING LINES

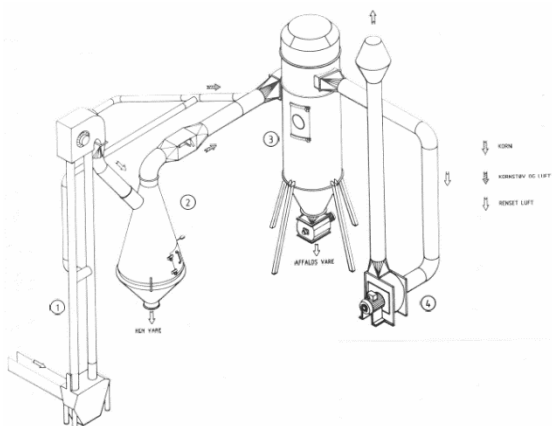
AF 40 - 125

- Better grain quality
- Effective purification of cereals, peas, canola (dry as moist), seeds and maize, animal feed and plastic granules
- Capacity up to 150 tons/hour
- Eco-friendly closed dust-free system
- Low cost in operation and maintenance

Function:

The raw material is fed (from belt - screw - elevator, etc.) through the inlet and is passed down to the spreader plate, which rotates automatically at the grain inflow. The fan makes an air flow up through the Pre-cleaner, which thereby removing the impurities, such as weed seeds, small cores, fly oats, etc.. The impurities can then be blown on to a cyclone or filter.

The sales item can be cleaned from flat storage with 10-20% cleaned of the total quantity of items added. The finished item will increase in Dutch weight, and the leftover can be cleaned later again. The Pre-cleaner is made of heavy steel plate and all mechanical parts are easily interchangeable. The Pre-cleaner may be equipped with adjustable dampers for regulating the air flow, depending on the product being cleaned.

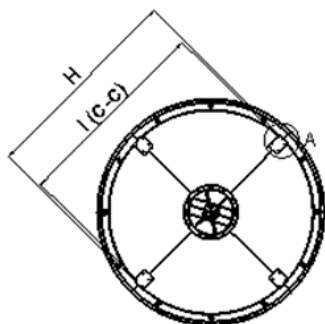


HIGH-END DUST HANDLING SOLUTIONS & SURFACE TREATMENT

FILTERS - FANS - DUCTING - SILOS - OUTFEEDERS - CONVEYERS - TRUCKLOADERS - CYCLONES - FINISHING LINES

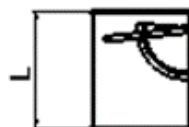
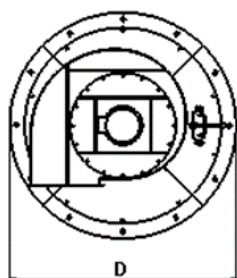
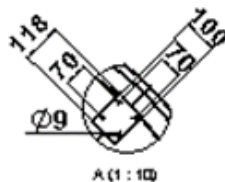
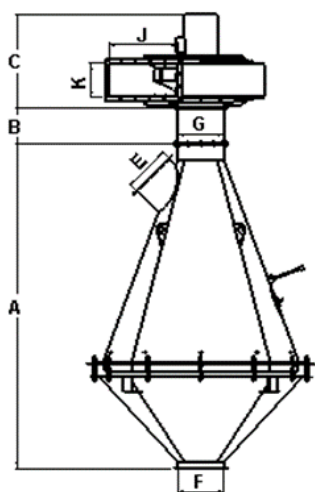
AF 40 - 125

The Pre-cleaner is selected according to the amount of grain that is requested to be cleaned. Aagaard supply four sizes.



TYPE	Capacity ton/h *	Fan. kW	Nom. Air flow m³/h
AF 40	40-60	5,5	6.000
AF 80	60-80	7,5	7.500
AF 100	100-125	7,5	9.000
AF 125	125-150	11,0	13.000

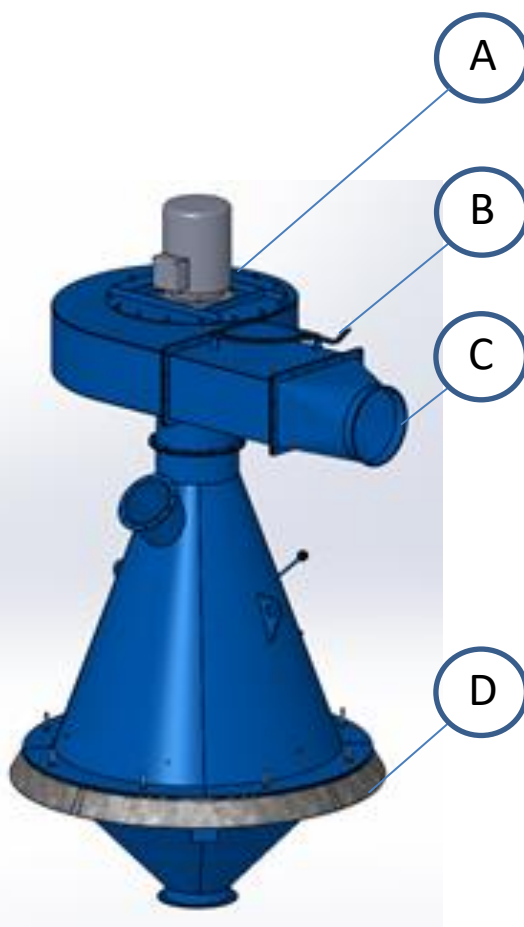
* Depending on moisture and quality



TYPE	A mm	B mm	C mm	D mm	E mm	F mm	G mm	H mm	I mm	J mm	K mm	L mm
AF 40	1820	225	725	1340	200	250	315	1166	1128	458	258	560
AF 80	2250	275	725	1540	315	315	350	1384	1346	528	258	650
AF 100	2500	275	725	1740	350	350	350	1580	1542	528	258	650
AF 125	3410	275	800	2180	350	350	350	2033	1995	578	258	710

AF 40 - 125

Type	Description	Weight [kg]	Item #	POS
AF 40	Comp. w/fan	511	213A0041	A
	Rainskirts	6	213A0045	D
	Throttle Valve	28	213A0046	B
	Outlet AVD7,5 HF	10	352100-2	C
AF 80	Comp. w/fan	688	213A0081	A
	Rainskirts	9	213A0085	D
	Throttle Valve	34	213A0106	B
	Outlet AVD10 HF	13	352200-2	C
AF 100	Comp. w/fan	783	213A0101	A
	Rainskirts	9	213A0105	D
	Throttle Valve	34	213A0106	B
	Outlet AVD10 HF	13	352200-2	C
AF 125	Comp. w/fan	950	213A0126	A
	Rainskirts	12	213A0130	D
	Throttle Valve	40	213A0131	B
	Outlet AVD15 HF	16	352300-2	C



AF 40 - 125

Connection

Electric:

Fan 3x400V/690V – power, see chart above
Mechanical grounding for connected ducting/machinery.

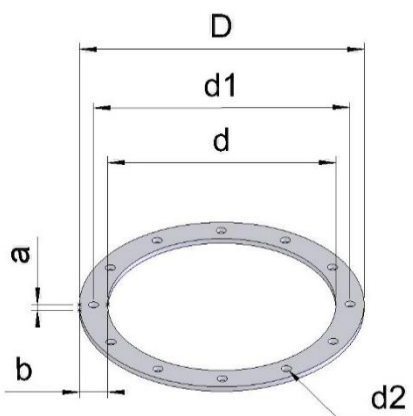
Mechanical:

Material inlet and output are with flange for bolts - see in the chart below.

Air outlet/fan connection is with flange for bolts - see chart below.

The unit is either fixed in concrete decks or in a steel support.

For outdoor installation, it is recommended to use a rain skirt to prevent water intake.



Type	d mm	D mm	d1 mm	a mm	b mm	d2 mm	n	Bolts	Weight	Item #
200	205	255	235	5	25	9	12	M 8	0,7	780007
250	255	305	285	5	25	9	12	M 8	0,854	780008
315	320	370	351	6	25	9	12	M 8	1,258	780026
350	355	415	389	6	30	11	12	M 10	1,839	780010

Transport Fan.

Robust welded radial fans. Specially designed for pneumatic transport of material. The fan wheels are self-cleaning and made of thick steel and static and dynamically balanced to class G6.3 for long and smooth operation.

The fan housing is also made of thick steel for long service life and reduced noise levels.

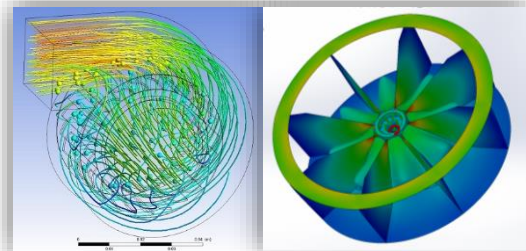
The fans can be delivered in right and left execution for all positions

AVD and AVR

Fan wheel with straight blades for pneumatic transport of coarsely material in large quantities, such as shavings and chips from woodworking machines. Direct coupled drive (AVD) or belt driven (AVR) execution.

AVD HF and AVR HF

Fan wheel with curved blades for pneumatic transport of material e.g. smaller shavings and chips from woodworking machines... Direct coupled drive (AVD HF) or belt driven (AVR HF) execution.

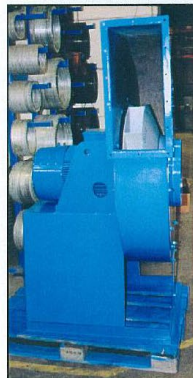
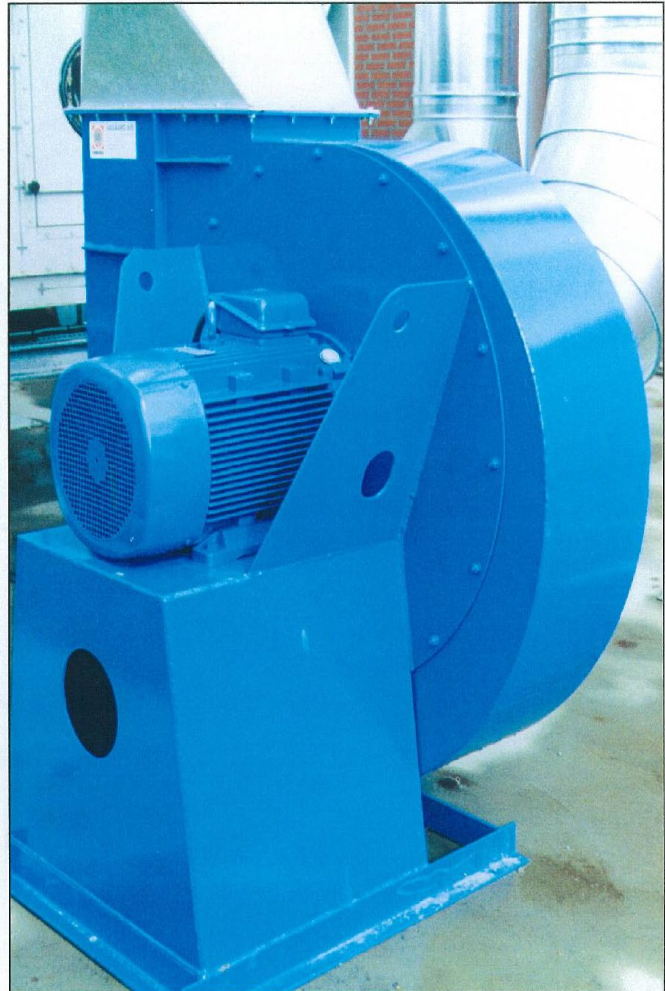


HIGH-END DUST HANDLING SOLUTIONS & SURFACE TREATMENT

FILTERS - FANS - DUCTING - SILOS - OUTFEEDERS - CONVEYERS - TRUCKLOADERS - CYCLONES - FINISHING LINES

Fan

Direct-driven centrifugal fan type AVD-HF



Surface Treatment Plants - Spray Machines

Spray Booths - Drying Ovens - Finishing Line

Aagaard centrifugal fan type AVD-HF is a high-efficient, fully welded radial fan, especially designed for transport of air, dust, chips, granules, and sawdust.

The fan has a high efficiency of up to 77 per cent and can be used on the clean air side of the dust collector, cyclone etc. as well as on the dust side with dust through the fan. It is suited for low and medium-sized pressure losses of up to approx. pt 3,000 PA.

The impeller is made from strong steel plates. The rotor is statically and dynamically balanced, ensuring smooth running with minimum load to the bearings. The position of the fan can be changed - however, another impeller is required if the position is changed from right to left.

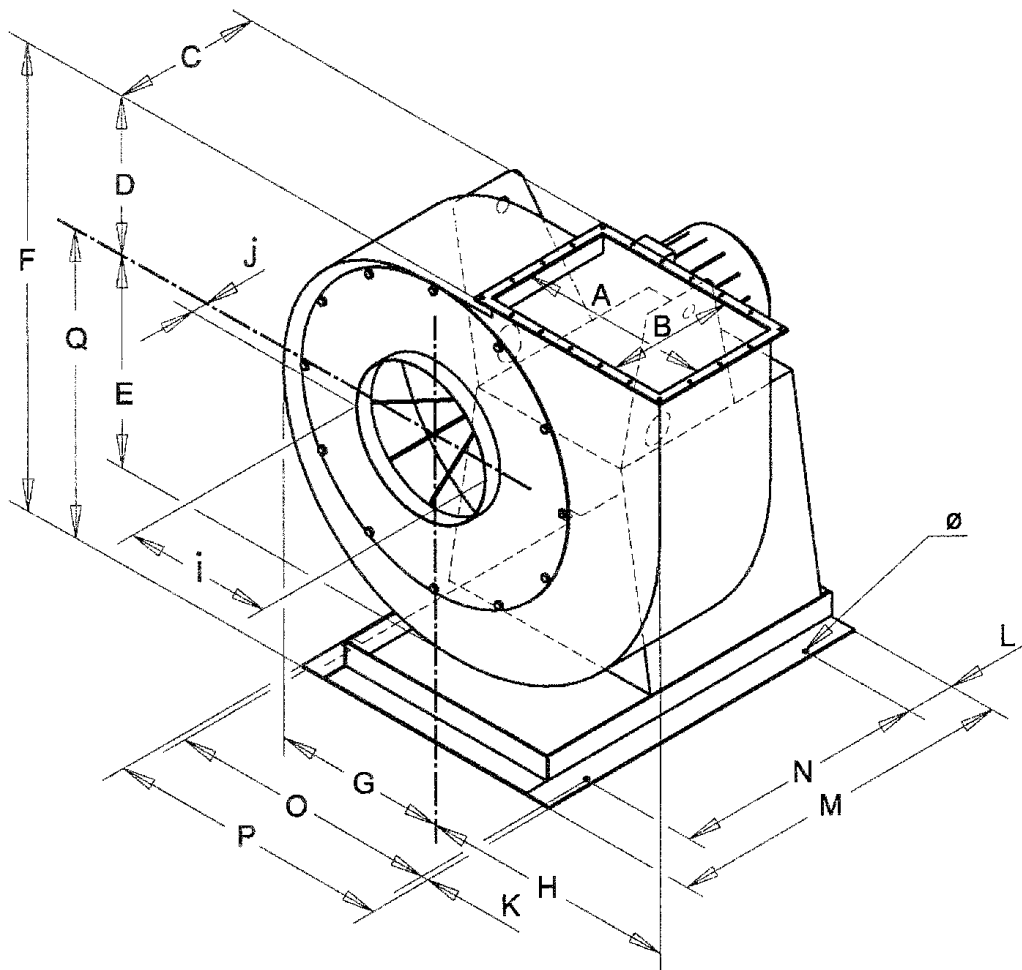
OBEL-P GROUP
Aagaard A/S

Smedevænget 14, DK-9560 Hadsund

Phone +45 96 531 200 Fax +45 98 574 215 E-mail: mail@aagaard-systems.dk

Technical Data

Fan type AVD-HF

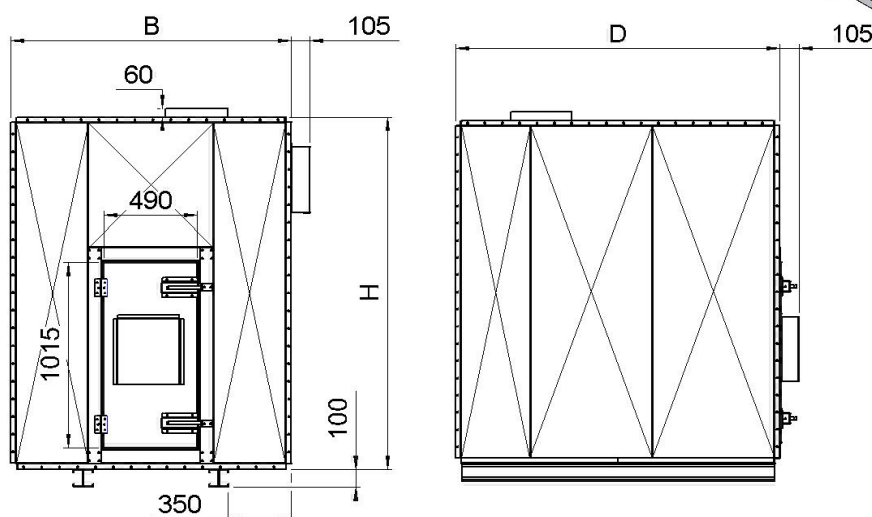
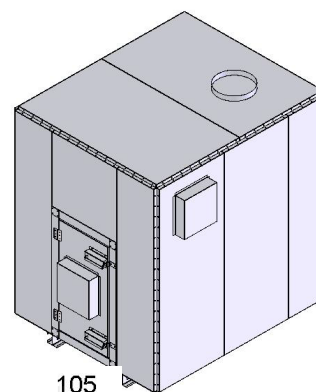


Type	A	B	C	D	E	F	G	H	I	J	K	L	M	N	O	P	Ø	Q
AVD 7,5 HF/60	450	250	318	406	508	1168	421	612	Ø300	50	20	150	810	510	460	500	Ø12	762
AVD 10 HF/75	520	250	318	466	588	1167	487	708	Ø350	50	20	150	800	500	460	500	Ø12	701
AVD 15 HF/100	570	250	318	501	644	1377	533	776	Ø400	50	20	150	940	640	744	784	Ø14	876
AVD 15 HF/100	570	250	318	501	644	1477	533	776	Ø400	50	20	150	940	640	744	784	Ø14	976
AVD 20 HF/120	590	250	318	516	668	1412	553	805	Ø400	50	20	150	940	640	744	784	Ø14	896
AVD 25 HF/120	590	250	318	516	668	1412	553	805	Ø400	50	20	150	940	640	744	784	Ø14	896
AVD 30 HF/180	685	320	388	586	764	1482	633	921	Ø500	50	20	150	1008	708	744	784	Ø14	896
AVD 40 HF/240	785	335	423	666	876	1662	726	1056	Ø630	50	170	20	1095	1055	660	1000	Ø14	996
AVD 40 HF/240	785	335	423	666	876	1662	726	1056	Ø630	50	170	20	1095	1055	660	1000	Ø14	1195

* Note! Changed stand height at pos. 270°

Silencer Box

Type: ALB for AVD-HF



Surface Treatment Plants - Spray Machines

Spray Booths - Drying Ovens - Finishing Line

Technical Data:

Fan type	Fan pos.	B	D	H	Part no.
AVD 7,5 HF	All	1560	1560	1990	352100-3
AVD 10 HF					352200-3
AVD 15 HF	0	1860	1560	1990	352300-3
AVD 20 HF					352400-3
AVD 25 HF					352500-3
AVD 15 HF	90 - 270	1860	1560	1990	352300-4
AVD 20 HF					352400-4
AVD 25 HF					352500-4
AVD 30 HF	0	1860	1560	2490	352600-3
AVD 30 HF	90	2160	1460	1990	352600-4
AVD 35 HF	0	2160	1860	2490	352800-3
AVD 35 HF	90	2160	1860	1990	352800-4
AVD 40 HF	0	2160	1860	2490	352700-3
AVD 40 HF	90 - 270	2260	1560	2490	352700-4

Incl. flexible connection on the suction and the pressure side

OBEL-P GROUP
Aagaard A/S

Smedevænget 14, DK-9560 Hadsund
Telefon +45 96 531 200 Fax +45 98 574 215 E-mail: mail@aagaard-systems.dk

Fans - Cyclones - Pipe Systems

FAN

Direct coupled centrifugal fan type AVD



Transport fan in sturdy execution with self-cleaning impeller

Aagaard centrifugal fan type AVD is a strong, fully welded radial fan, especially designed for direct transport of coarse materials such as chips from woodworking machinery.

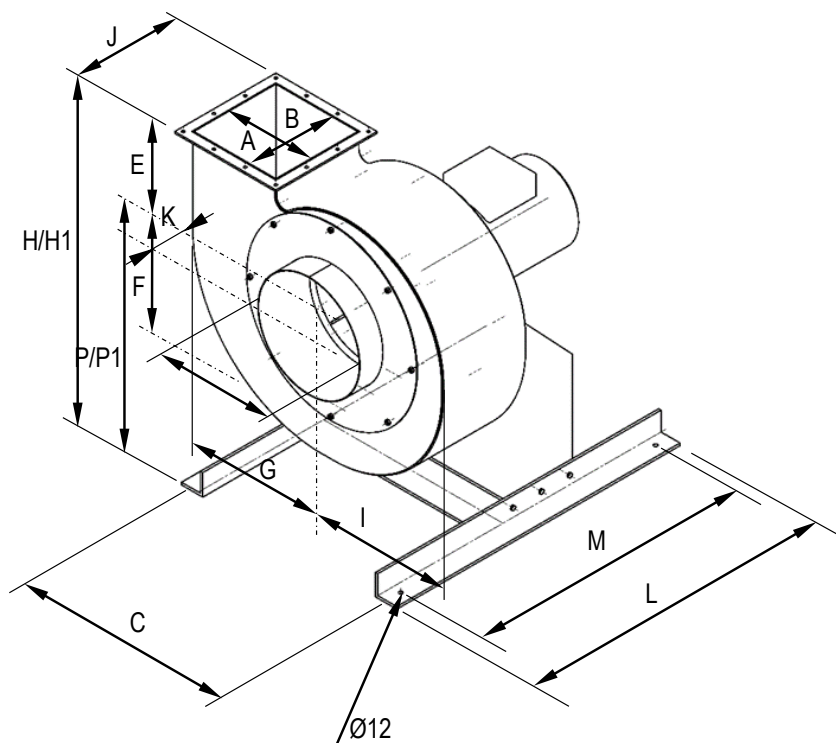
The impeller is made from heavy plates. The rotor is statically and dynamically balanced ensuring smooth running with minimum load to the bearings.

Aagaard transport fan type AVD is well fitted for transport of all materials which can stress when passing through the impeller.

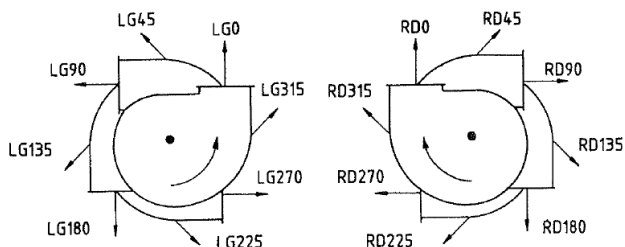
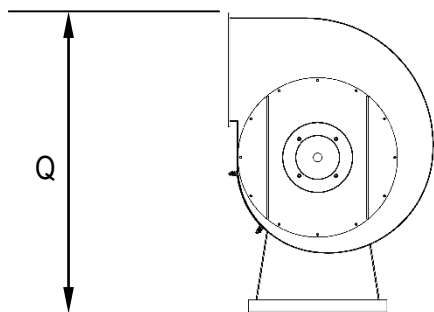
The handling of the fan is easily changed from right to left in all positions. Furthermore, the fan is supplied with heightened bracket for direct installation on the Aagaard bag filters.

TECHNICAL DATA

Fan type AVD



Type	Effekt	A	B	C	indv. D	E	F	G	H	H1	I	J	K	L	M	P	P1	Q	fod/flange		Varenr.	Varenr.H
AVD 2	1,1 kW	140	140	320	ø200	198	250	284	526		216	200	29	221	141			612	B3/B5		110220	
AVD 3	2,2 kW	166	160	320	ø225	224	276	310	564		242	226	29	272	192			650	B3/B5		110000	
AVD 5,5	4,0 kW	175	175	486	ø250	250	295	324	695	1095	257	235	120	550	500	445	845	769	B5	50x50x5	110400	110401
AVD 7,5	5,5 kW	200	200	546	ø306	280	326	365	750	1110	290	260	100	600	520	470	830	835	B5	50x50x5	110600	110601
AVD 10	7,5 kW	200	200	546	ø306	280	326	365	750	1110	290	260	100	600	520	470	830	835	B5	50x50x5	110700	110701
AVD 15	11,0 kW	287	287	596	ø306	350	377	424	885	1255	330	347	70	950	870	535	905	959	B5	60x60x6	110800	110801
AVD 20	15,0 kW	297	297	688	ø356	335	424	497	945	1125	389	357	80	1000	900	610	790	1107	B5	75x75x8	111000	111001
AVD 25	18,5 kW	297	297	688	ø356	335	424	497	945	1125	389	357	80	1000	900	610	790	1107	B5	75x75x8	111050	111051
AVD 30	22,0 kW	297	297	688	ø401	335	424	497	945	1125	389	357	110	1000	900	610	790	1107	B5	75x75x8	111200	111201

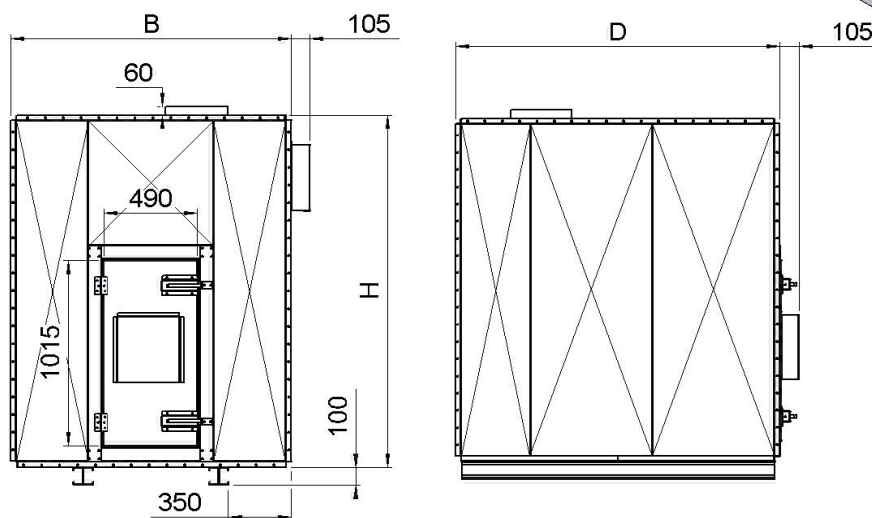
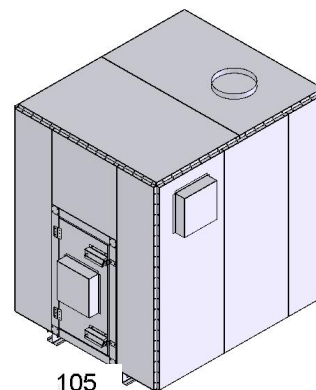


HIGH-END DUST HANDLING SOLUTIONS & SURFACE TREATMENT

FILTERS - FANS - DUCTING - SILOS - OUTFEEDERS - CONVEYERS - TRUCKLOADERS - CYCLONES - FINISHING LINES

Silencer Box

Type: ALB for AVD



Surface Treatment Plants - Spray Machines

Spray Booths - Drying Ovens - Finishing Line

Technical Data:

Fan type	Fan pos.	B	D	H	Part no.
AVD 5,5	All	1160	1160	1290	110400-3
AVD 7,5					110600-3
AVD 10					110700-3
AVD 15	0	1160	1560	1990	110800-3
AVD 20					111000-3
AVD 25					111050-3
AVD 30					111200-3
AVD 15	90 - 270	1560	1560	1290	110800-6
AVD 20					111000-6
AVD 25					111050-6
AVD 30					111200-6
AVD 40	0	1860	1860	2490	111300-6
AVD 40	90 - 270	2160	1860	2490	111300-7

Incl. flexible connection on the suction and the pressure side

OBEL-P GROUP
Aagaard A/S

Smedevænget 14, DK-9560 Hadsund
Telefon +45 96 531 200 Fax +45 98 574 215 E-mail: mail@aagaard-systems.dk

Fans - Cyclones - Pipe Systems

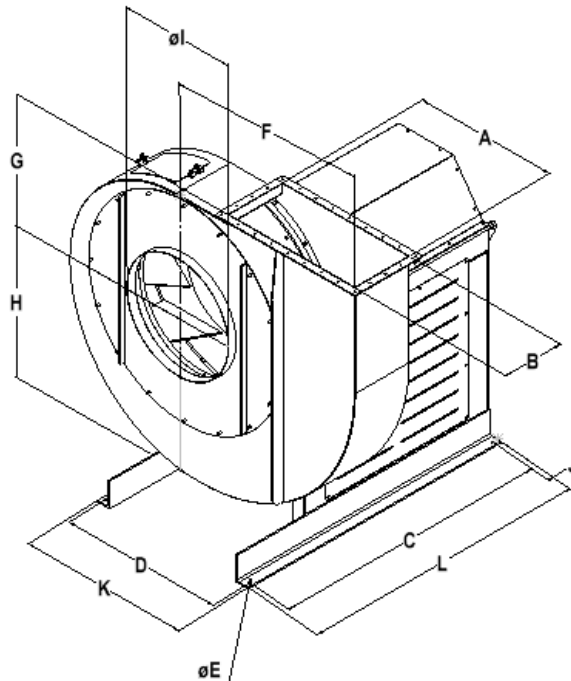
Transport fan.

AVR HF 400 - 800

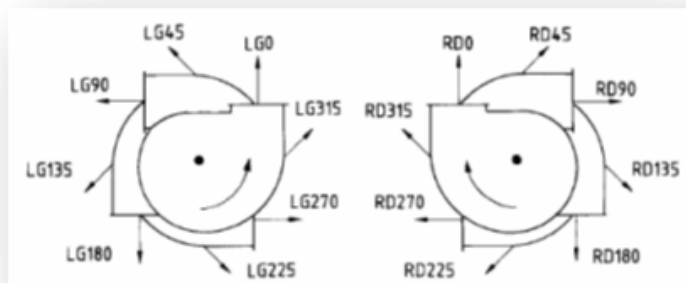
Technical data:

Belt driven centrifugal fan type AVR HF

With inspection hatch in the back of the housing.



Type	A	B	C	D	E	F	G	H	I	J	K	L
AVR 400 HF/120	598	258	1190	760	ø16	805	525	976	ø400	30	800	1250
AVR 450 HF/150	583	388	1190	760	ø16	780	500	986	ø450	30	800	1250
AVR 550 HF/180	693	328	1518	900	ø16	922	580	1220	ø500	30	940	1578
AVR 550 HF/240	793	343	1518	900	ø16	1056	660	1220	ø630	30	940	1578
AVR 800 HF/360	758	608	1918	1060	ø18	1031	635	1372	ø710	30	1120	1978



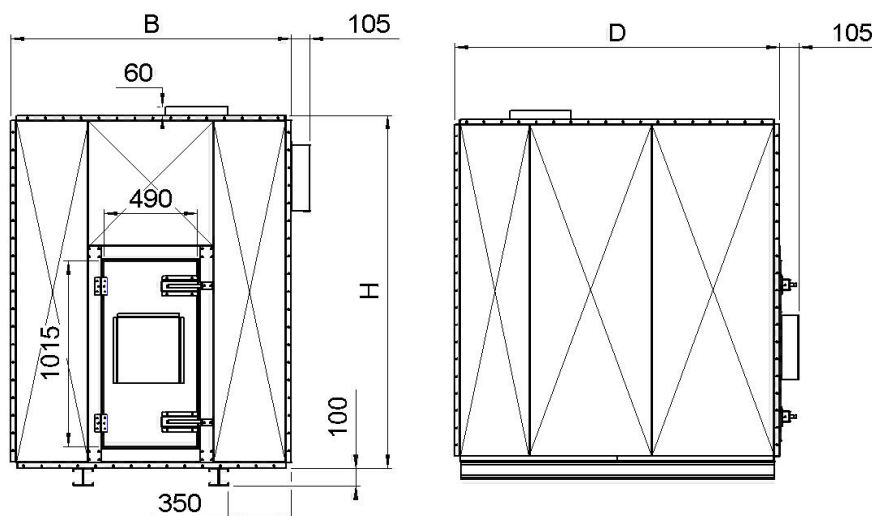
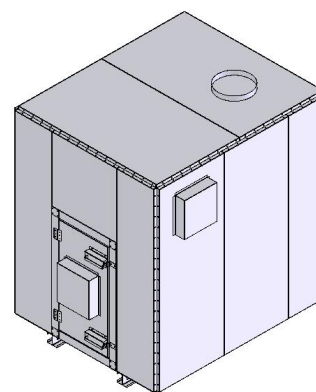
Position designation after Eurovent.
Seen from the shaft side.

HIGH-END DUST HANDLING SOLUTIONS & SURFACE TREATMENT

FILTERS - FANS - DUCTING - SILOS - OUTFEEDERS - CONVEYERS - TRUCKLOADERS - CYCLONES - FINISHING LINES

Silencer Box

Type: ALB for AVR-HF



Surface Treatment Plants - Spray Machines

Spray Booths - Drying Ovens - Finishing Line

Technical Data:

Fan type	Fan pos.	B	D	H	Part no.
AVR 300 HF/75	All	1560	1560	1990	362200-3
AVR 400 HF/120	0	1860	1860	1990	363400-3
AVR 450 HF/150					364500-3
AVR 400 HF/120	90 - 270	1860	1860	1990	363400-4
AVR 450 HF/150					364500-4
AVR 550 HF/180	0	2160	2160	2540	365500-3
AVR 550 HF/240					367000-3
AVR 550 HF/240	90 - 270	2160	2160	2490	367000-4
AVR 550 HF/180	90 - 270	2160	2160	2490	365500-4
AVR 800 HF/360	0	2260	2660	2540	366300-3
AVR 800 HF/360	90 - 270				366300-4

Incl. flexible connection on the suction and the pressure side

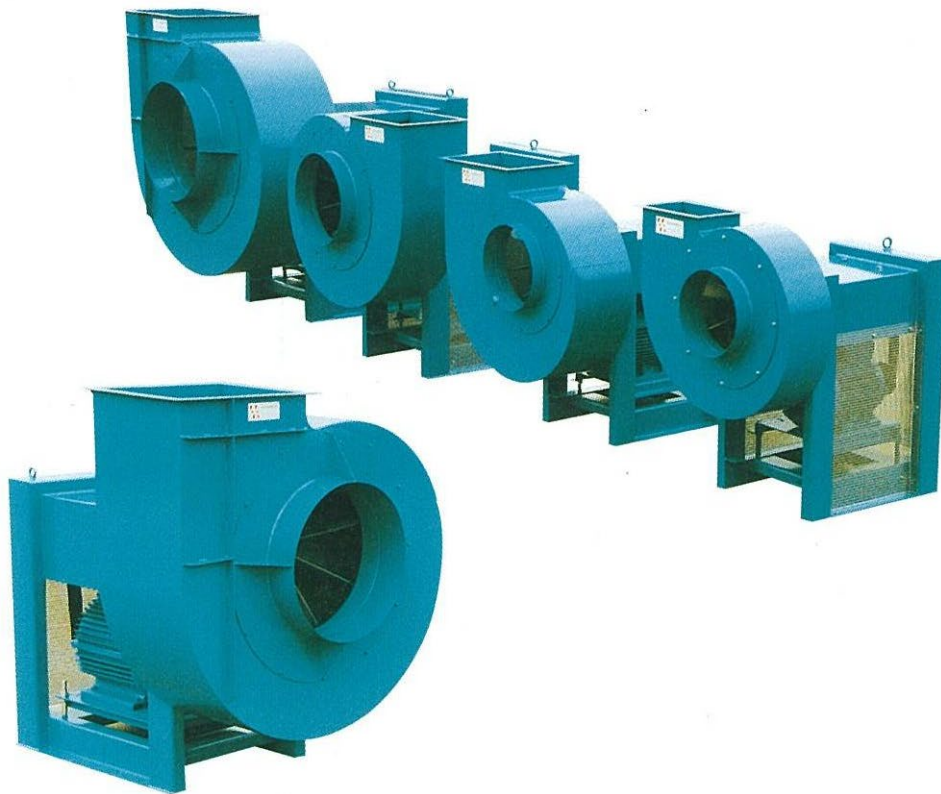
OBEL-P GROUP
Aagaard A/S

Smedevænget 14, DK-9560 Hadsund
Telefon +45 96 531 200 Fax +45 98 574 215 E-mail: mail@aagaard-systems.dk

Fans - Cyclones - Pipe Systems

FAN

Belt-driven centrifugal fan type AVR



Surface Treatment Plants - Spray Machines

Spray Booths - Drying Ovens - Finishing Line

Aagaard's belt-driven fan is an extremely sturdy fan for transport of material, dust removal and transport of chips with self-cleaning impeller.

The impeller and the housing are made from heavy steel plates and fitted with radial blade wheels. The rotor is statically and dynamically balanced to ensure a steady operation with a minimum load of the bearings.

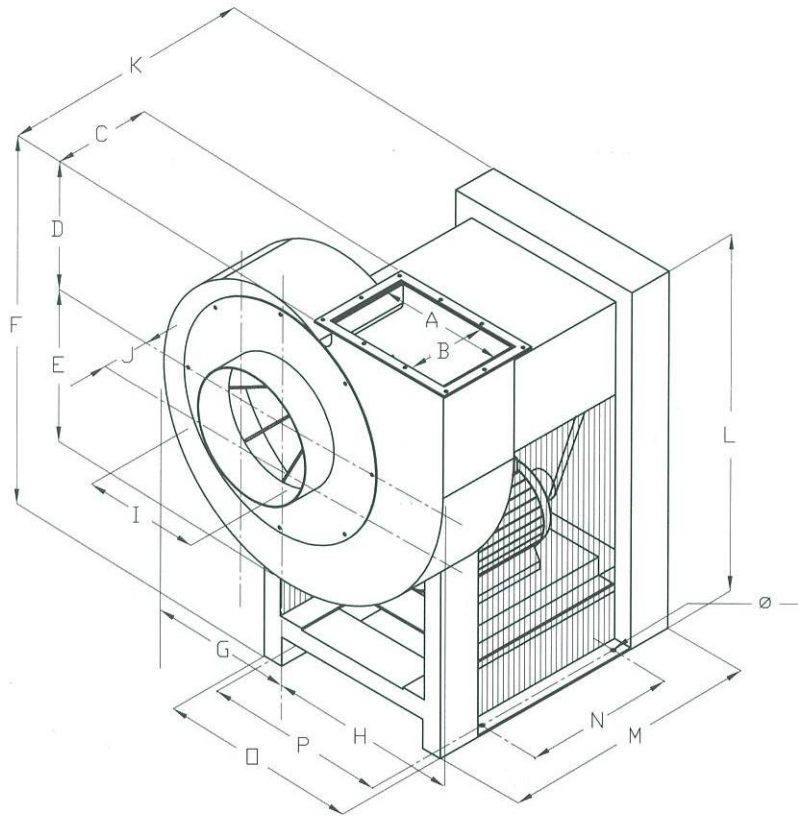
The fan is easily changed from right to left-hand operation to suit all positions. Furthermore, it can be fitted with a special impeller for placing of the fan on the clean air side resulting in an even higher efficiency.

OBEL-P GROUP
Aagaard A/S

Smedevænget 14, DK-9560 Hadsund
Phone +45 96 531 200 Fax +45 98 574 215 E-mail: mail@agaard-systems.dk

TECHNICAL DATA

Belt-driven centrifugal fan type AVR

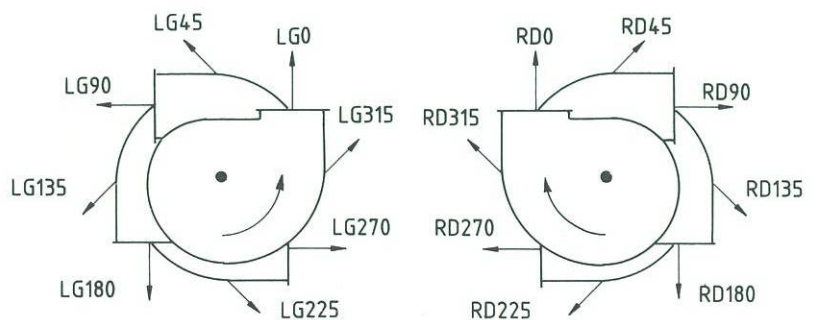


Type	A	B	C	D	E	F	G	H	I	J	K	L	M	N	O	P	Ø
AVR 250	308	208	268	410	517	1473	444	611	250	108	1094	1156	1000	490	660	610	13
AVR 300 - 7.5 kW	200	200	260	280	326	1063	290	365	310	100	936	956	700	400	530	480	13
AVR 300 - 11.0 kW	287	287	347	350	377	1133	330	424	310	70	1023	956	700	400	530	480	13
AVR 300 - 15.0 kW	297	297	357	335	424	1118	389	497	360	80	1033	956	700	400	530	480	13
AVR 400	427	264	324	410	517	1473	444	611	400	110	1150	1156	1000	490	660	610	13
AVR 450	608	383	443	500	642	1563	479	710	450	85	1269	1156	1000	490	660	610	13
AVR 550	564	418	478	520	660	1643	567	778	550	100	1614	1306	1360	660	818	728	12
AVR 800	808	608	688	818	941	2098	922	941	800	185	1994	1506	1590	720	988	900	16

With cleaning hatch at the back.

A x B measure = inside measure of flange.

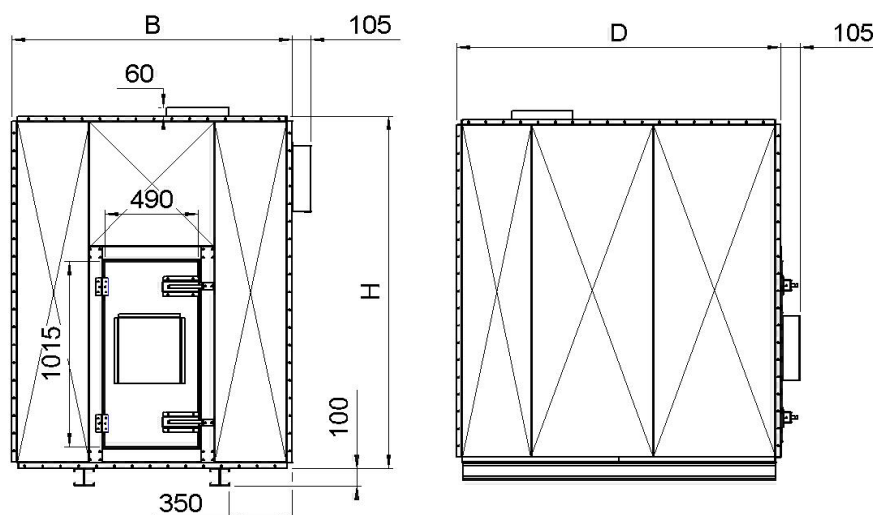
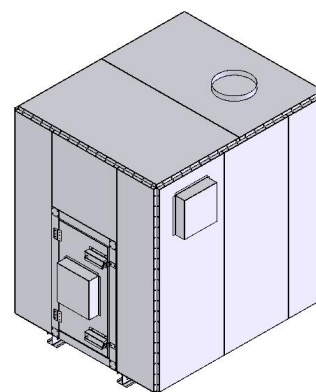
Position designation acc. to Eurovent.
Seen from shaft side.



We reserve the right to change the design without notice.

Silencer Box

Typ: ALB for AVR



Surface Treatment Plants - Spray Machines

Spray Booths - Drying Ovens - Finishing Line

Technical Data:

Fan type	Fan pos.	B	D	H	Part no.
AVR 250	All	1560	1860	1990	111800-3
AVR 400					111900-3
AVR 300	All	1160	1560	1990	111700-7
AVR 450	0	1860	2160	2490	112000-3
AVR 550					112200-3
AVR 550	90-270				112200-4
AVR 450	90 - 270	1860	2160	1990	112000-4
AVR 800	0	2160	2860	2540	112500-3
AVR 800	90 - 270	2560	2860	2490	112500-4

Incl. flexible connection on the suction and the pressure side

OBEL-P GROUP
Aagaard A/S

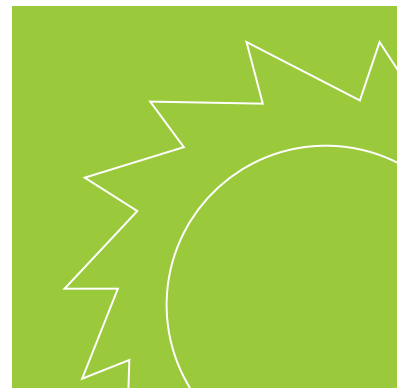
Smedevænget 14, DK-9560 Hadsund
Telefon +45 96 531 200 Fax +45 98 574 215 E-mail: mail@aagaard-systems.dk

Fans - Cyclones - Pipe Systems



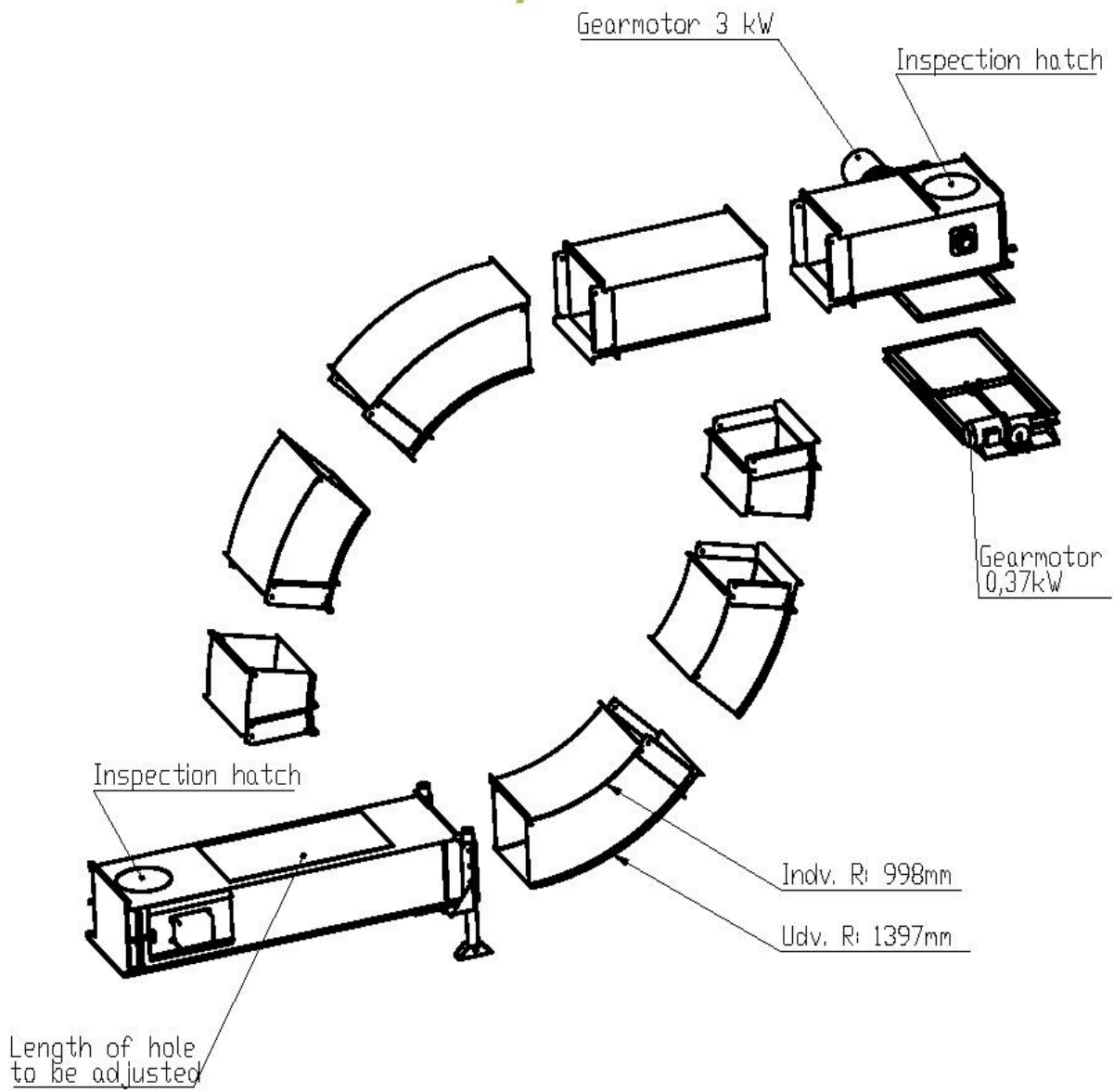
Double Chain Conveyor

Turn-key solutions for the Sawmill and Wood Industry



WE DO

- Double Chain Conveyors



OBEL-P Group/Aagaard design, manufacture, install and service Double Chain Conveyors with capacity upto 120m³/h.

This is the optimal solution when the transfer system demands reliability, flexibility, low noise and low power consumption.

Robust, modular design affords you a pressure-less transport of materials with no dust leaks, over long and short distances. From a dust collector to a container or silo at a fraction of the cost of a pneumatic conveying system.

- **Low noise**
- **Low power consumption**
- **Reliability**
- **Flexibility**
- **No dust leaks**



The OBEL-P Group of Companies has for more than 50 years been a strong and reliable partner for the Sawmill, Wood and Furniture Industry.

We design, manufacture, install and service turn-key solutions globally and we believe in maintaining a strong and reliable partnership with everybody we work together with.

Doing business with us is not just about buying a product! Customers buy our experience to identify the best solutions to fit their unique needs. We strive to add value to your business.



AKR 400 - Double Chain Conveyor

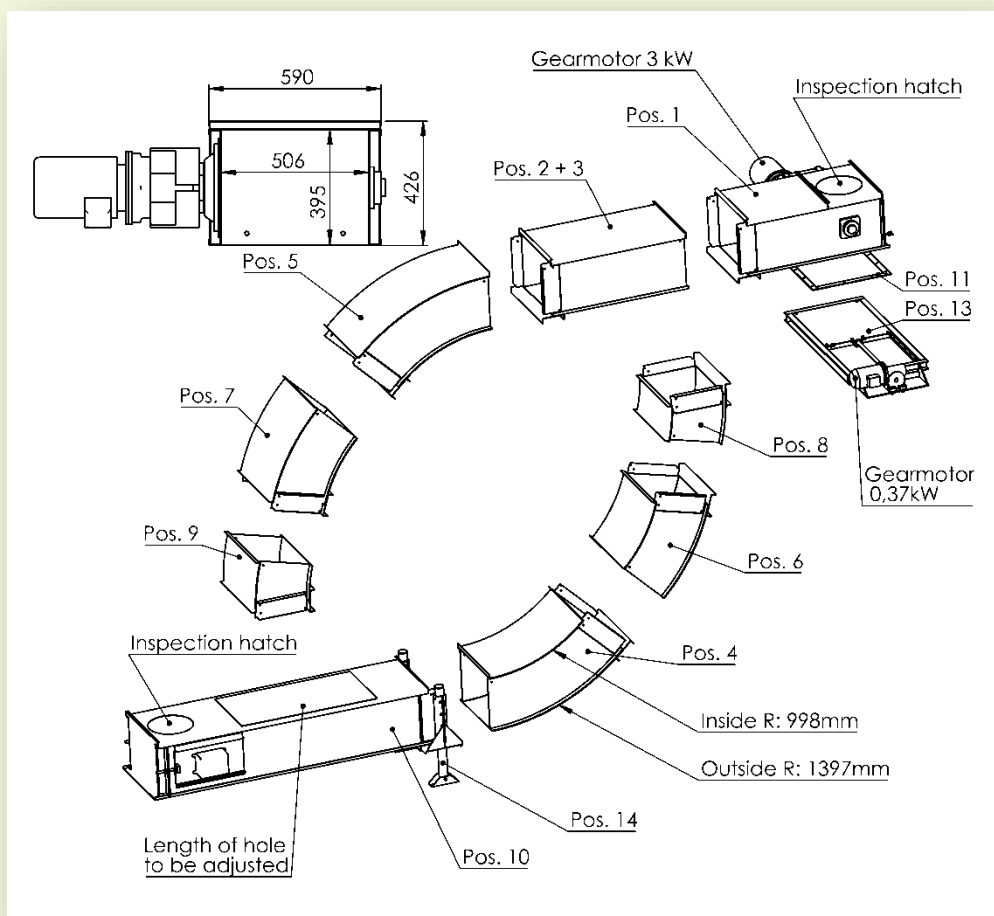


Our double chain conveyor is the preferred solution when the transfer system demands reliability, low noise and low power consumption. Its robust, modular design affords you a pressure-less transport of materials, and therefore no dust leaks, over long and short distances and any elevation at a fraction of the energy costs of a pneumatic conveying system and without bothering your neighbours.

Advantages

- Low noise
- Low power consumption
- Reliability
- Flexibility
- No dust leaks

Technical Data



Pos.	Description	Length/Degree	Part No.
1	Gear section	1000 mm	192A0067
2	Intermediate section	2000 mm	192A0065
3	Intermediate section	1000 mm	192A0064
4	Bend bottom upward	45°	192A0073
5	Bend top downward	45°	192A0061
6	Bend bottom upward	30°	192A0072
7	Bend top downward	30°	192A0071
8	Bend bottom upward	15°	192A0063
9	Bend top downward	15°	192A0069
10	Tightening section	2000 mm	192A0070
11	Outlet counter flange	500x506 mm	192103
12	Electric control		750068
13	Automatic sliding damper		204A0001
14	Adjustable leg	H = 700 mm	192A0126

AKR 900 - Double Chain Conveyor

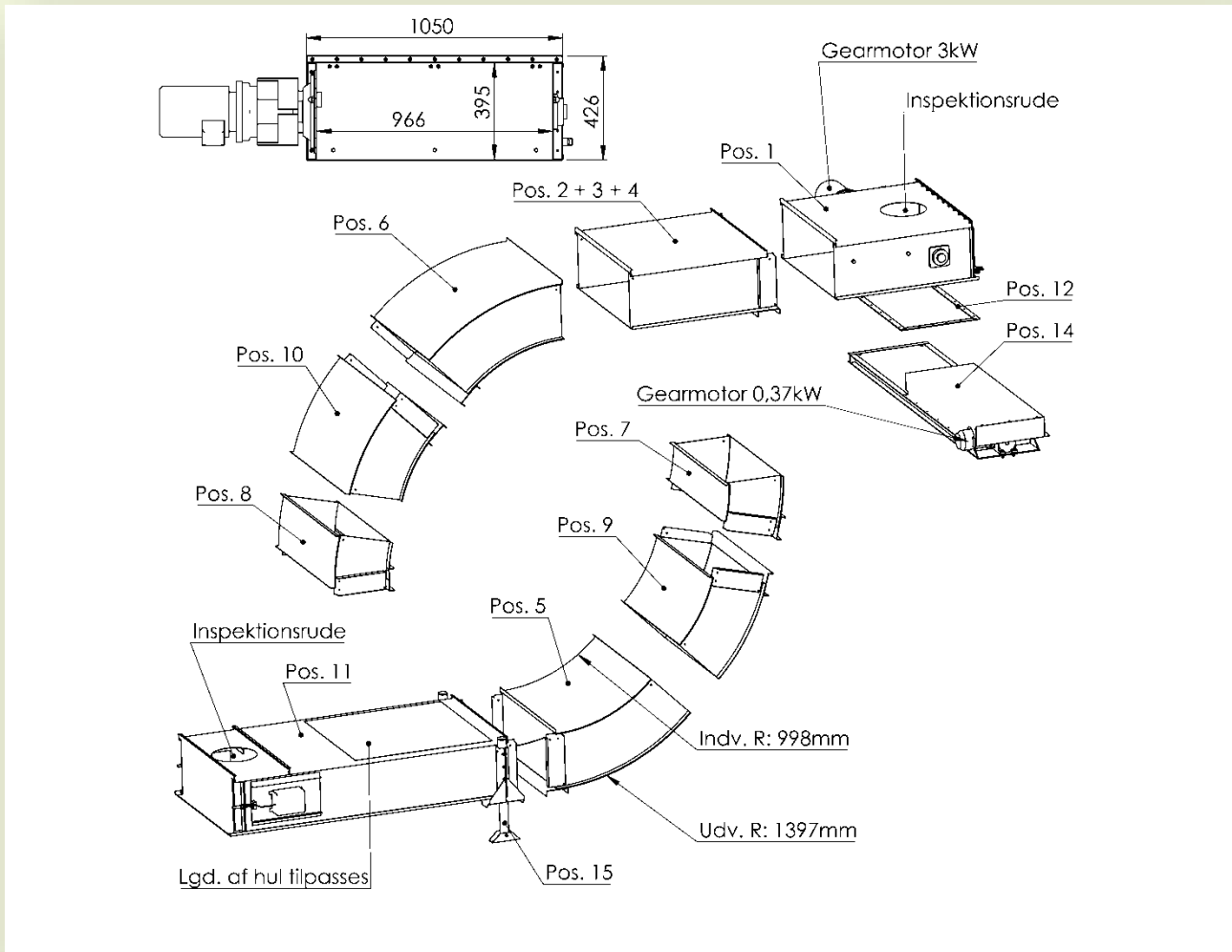


Our double chain conveyor is the preferred solution when the transfer system demands reliability, low noise and low power consumption. Its robust, modular design affords you a pressure-less transport of materials, and therefore no dust leaks, over long and short distances and any elevation at a fraction of the energy costs of a pneumatic conveying system and without bothering your neighbours.

Advantages

- Low noise
- Low power consumption
- Reliability
- Flexibility
- No dust leaks

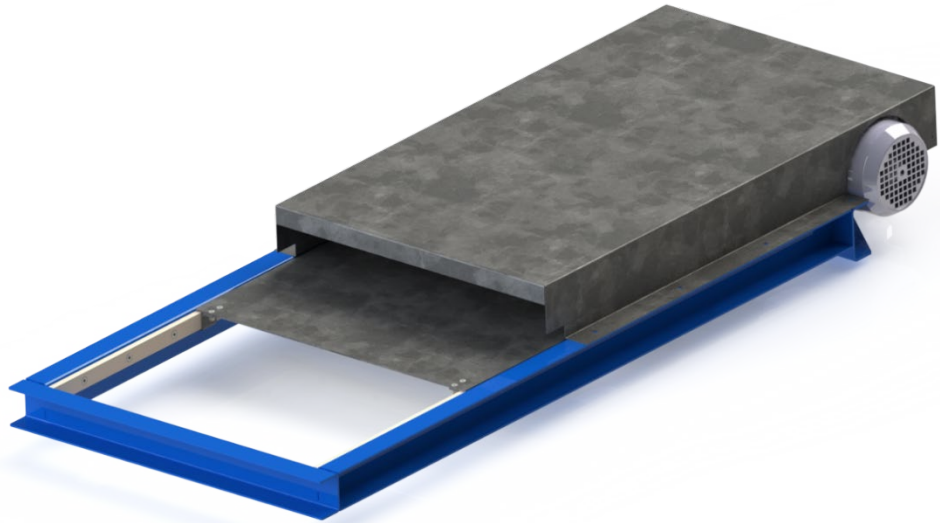
Technical Data



Pos.	Description	Length/Degree	Part No.
1	Gear section	1000 mm	192A0002
2	Intermediate section	2000 mm	192A0004
3	Intermediate section	1000 mm	192A0058
4	Intermediate section	500 mm	192A0088
5	Bend bottom upward	45°	192A0006
6	Bend top downward	45°	192A0008
7	Bend bottom upward	15°	192A0007
8	Bend top downward	15°	192A0009
9	Bend bottom upward	30°	192A0014
10	Bend top downward	30°	192A0015
11	Tightening section	2000 mm	192A0010
12	Outlet counter flange	500x966 mm	192C0051
13	Electric control		750068
14	Automatic sliding damper		192A0056
15	Adjustable leg	H = 700 mm	192A0126



Damper for chain conveyor AKR



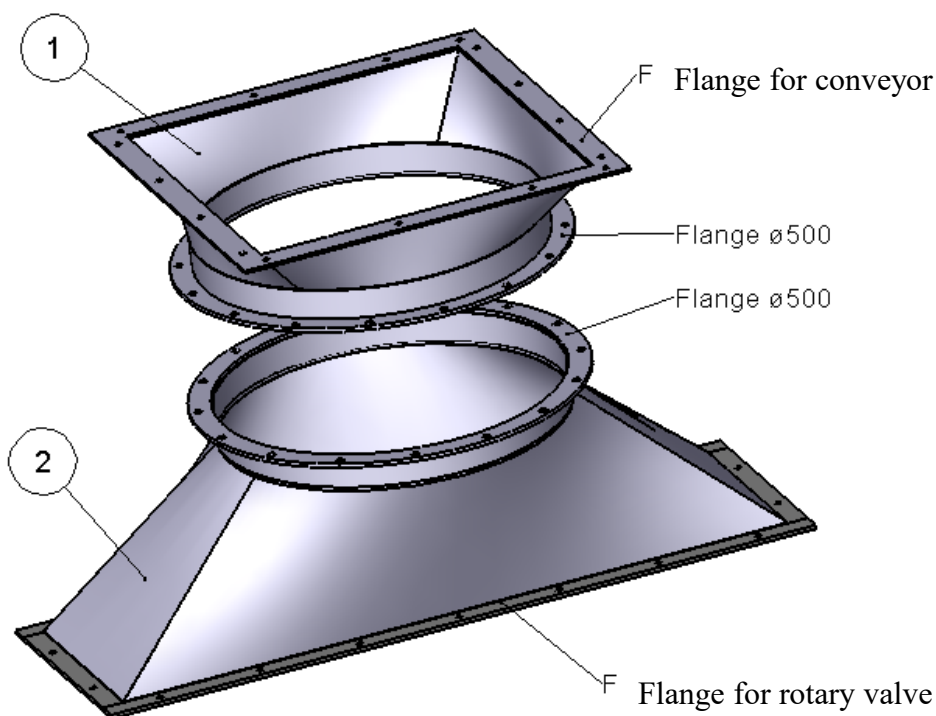
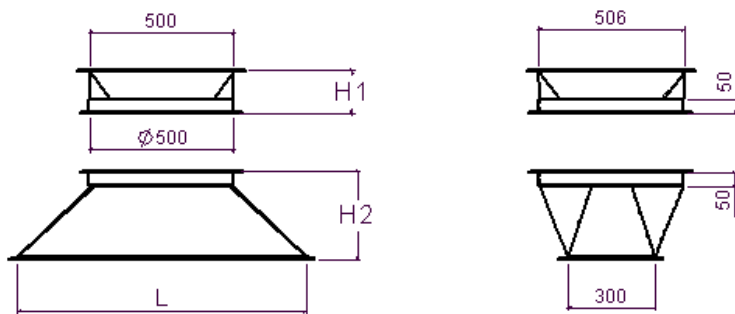
Sturdy sliding damper for mounting over/under the AKR chip conveyor. The damper is mounted in a sturdy frame. The damper plate itself is moved back and forth on low friction rails via a trapezoidal spindle driven by a worm gear motor. The damper is equipped with end point switches.

Technical data:

Spindle speed	67 min ⁻¹
Open/closing time for AKR 400	app. 6mm/s = 65sec.
Open/closing time for AKR 900	app. 6mm/s = 160sec.
Elektric:	
Gear motor	0,37kW (3x230/400V-1,1A)
End point switch	2 stk.. (NO+NC)

192A0182	Damper AKR 400	
192A0184	Damper AKR 900	

Transition from conveyor to rotary



Technical Data:

Pos		H1	Item no.
1	Transition 506x500/ø500	150	192157

Pos	Rotary valve type	L mm	H2	Item no.
2	ABS 750	750	300	192158
2	ABS 1000	1000	300	192159



Smedevænget 14, DK-9560 Hadsund
 Telefon +45 96 531 200 Fax +45 98 574 215 E-mail: mail@aagaard-systems.dk

Surface Treatment Plants - Spray Machines

Spray Booths - Drying Ovens - Finishing Line

Screw conveyor.

ATT 200-300

The Aagaard screw conveyor is a robust and almost maintenance free conveyor.

It can be supplied in two different diameters and in trough or tube execution.

The trough solution will carry even large particles but is not suitable for inclined conveying.

For inclined conveying the tubular screw conveyor is used instead.

Four different drive-stations to choose, ranging from 9 to 58 min⁻¹.

The conveyor is always delivered with rotation sensor. Blocking switch as an option.



Capacity guidance values

Wood chips 250 kg/m ³						
ATT 200				Tubular		
Power	min ⁻¹	0°	15°	30°	45°	
3	58	12,7	10,2	8,9	6,4	m ³ /h
2,2	38	8,3	6,6	5,8	4,2	m ³ /h
1,1	20	4,4	3,5	3,1	2,2	m ³ /h
0,55	9	2	1,6	1,4	1,0	m ³ /h
ATT 300				Tubular		
Power	min ⁻¹	0°	15°	30°	45°	
3	58	64,2	44,9	44,9	32,1	m ³ /h
2,2	38	42,0	29,4	29,4	21,0	m ³ /h
1,1	20	22,1	15,5	15,5	11,1	m ³ /h
0,55	9	10,1	7,1	7,1	5,1	m ³ /h

Wood pellets 650 kg/m ³						
ATT 200				Tubular		
Power	min ⁻¹	0°	15°	30°	45°	
3	58	12,7	8,9	5,7	2,5	m ³ /h
2,2	38	8,3	5,8	3,7	1,7	m ³ /h
1,1	20	4,4	3,1	2,0	0,9	m ³ /h
0,55	9	2	1,4	0,9	0,4	m ³ /h
ATT 300				Tubular		
Power	min ⁻¹	0°	15°	30°	45°	
3	58	64,2	44,9	28,9	12,8	m ³ /h
2,2	38	42,0	29,4	18,9	8,4	m ³ /h
1,1	20	22,1	15,5	9,9	4,4	m ³ /h
0,55	9	10,0	6,0	4,5	2,0	m ³ /h

HIGH-END DUST HANDLING SOLUTIONS & SURFACE TREATMENT

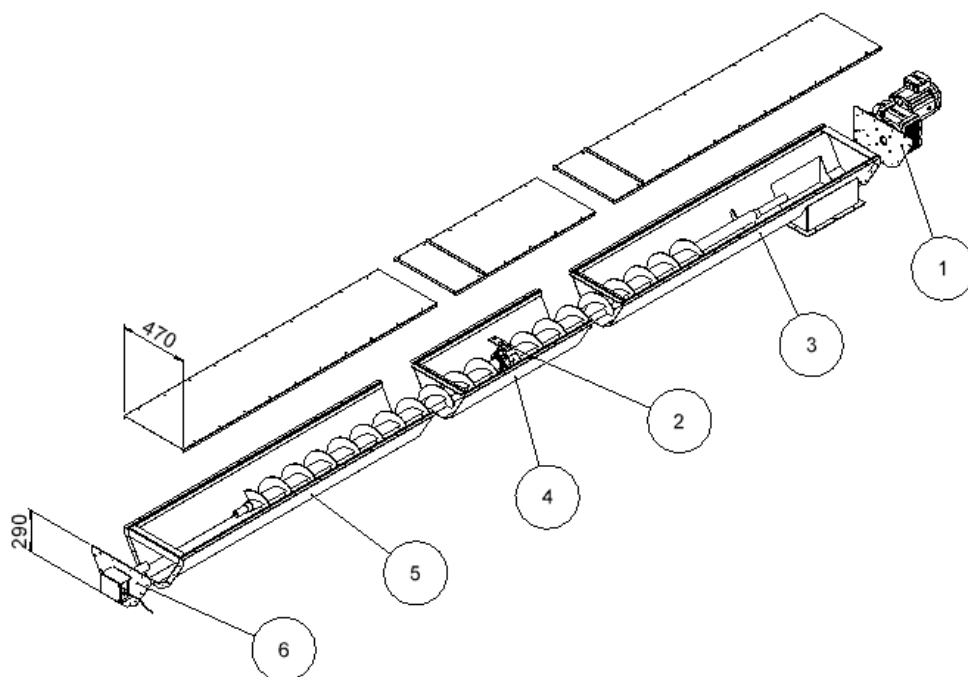
FILTERS - FANS - DUCTING - SILOS - OUTFEEDERS - CONVEYERS - TRUCKLOADERS - CYCLONES - FINISHING LINES

Screw conveyor.

ATT 200

Technical data:

Placement of in- and outlet flange according to sketch. Flange measurement in a later section.



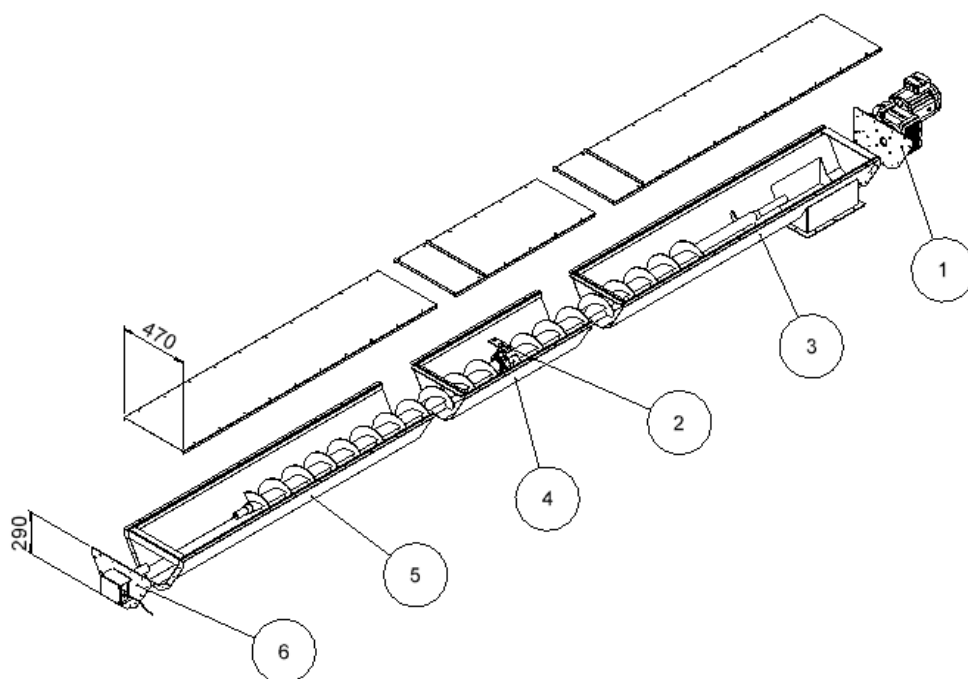
Type	Length	Item No.
Screw conveyor ATT 200 2m. Complete	2,62m	290A0020
Screw conveyor ATT 200 3m. Complete	3,62m	290A0021
Screw conveyor ATT 200 4m. Complete	4,62m	290A0022
Screw conveyor ATT 200 5m. Complete	5,62m	290A0023
Screw conveyor ATT 200 6m. Complete	6,62m	290A0024

Included 1 gearmotor-and flange end plus one outlet.

Screw conveyor.

ATT 200

Modules



Pos	Type	Length	Item No.
1	Drive station 38 RPM 2,2 kW Std.	515	290A0200
1	Drive station 56 RPM 3,0 kW	515	290A0201
1	Drive station 21 RPM 1,1 kW	515	290A0202
1	Drive station 9 RPM 0,55 kW	515	290A0203
2	Hanger bearing	0	290A0205
3	Screw trough outlet section 2m	2000	290A0211
4	Screw trough middle section 2m	2000	290A0212
4	Screw trough middle section 1m	1000	290A0213
5	Screw trough inlet section 2m	2000	290A0214
5	Screw trough inlet section 1m	1000	290A0215
6	Flange bearing end	105	290A0216
7	Screw trough w/center outlet 2m	2000	290A0217
8	Screw trough outlet section 20° 2m	2000	290A0218
9	Screw trough outlet section 30° 2m	2000	290A0219

Pos. 2 shall be mounted at conveyor length above 6 m.

HIGH-END DUST HANDLING SOLUTIONS & SURFACE TREATMENT

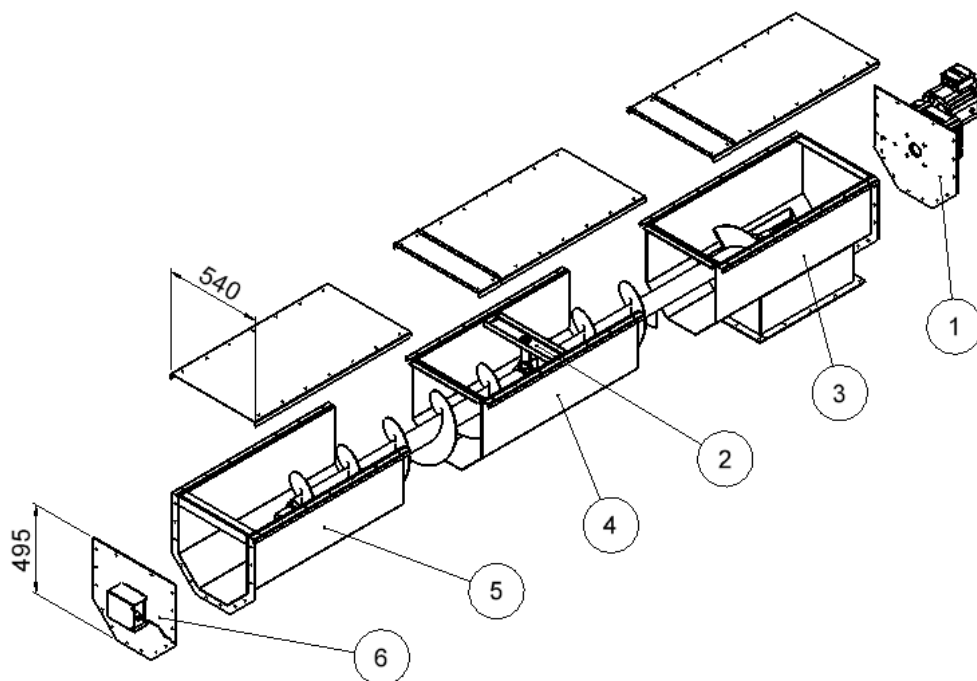
FILTERS - FANS - DUCTING - SILOS - OUTFEEDERS - CONVEYERS - TRUCKLOADERS - CYCLONES - FINISHING LINES

Screw conveyor.

ATT 300

Technical data:

Placement of in- and outlet flange according to sketch. Flange measurement in a later section.



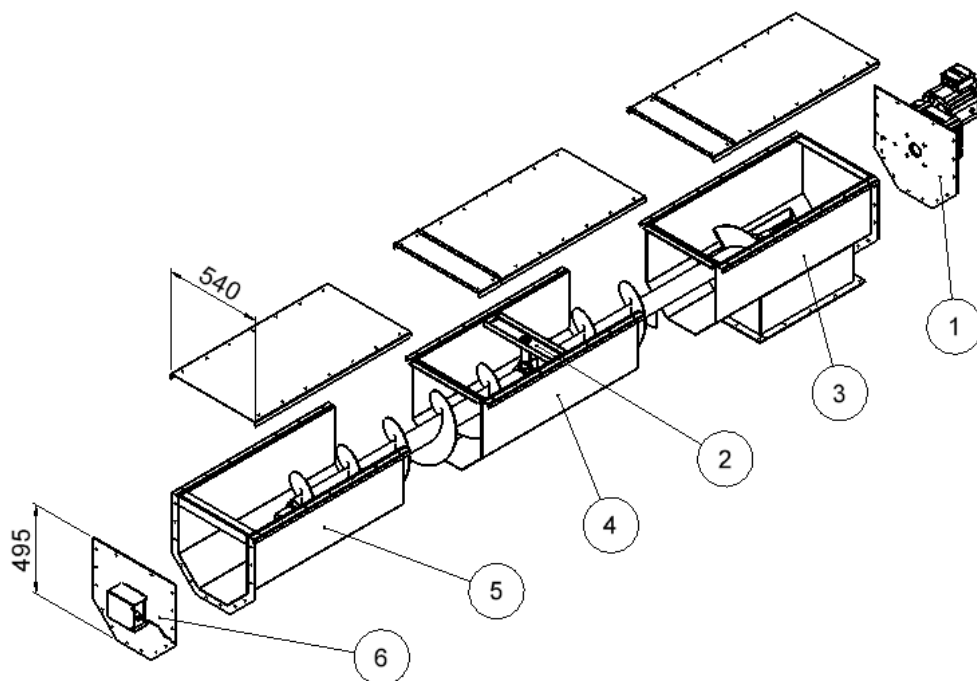
Type	Length	Item No.
Screw conveyor ATT 300 2m. Complete	2,62 m	290A0030
Screw conveyor ATT 300 3m. Complete	3,62 m	290A0031
Screw conveyor ATT 300 4m. Complete	4,62 m	290A0032
Screw conveyor ATT 300 5m. Complete	5,62 m	290A0033
Screw conveyor ATT 300 6m. Complete	6,62 m	290A0034

Included 1 gearmotor-and flange end plus one outlet.

Screw conveyor.

ATT 300

Modules:



Pos	Type	Length	Item No.
1	Drive station 38 RPM 2,2 kW Std.	515	290A0300
1	Drive station 56 RPM 3,0 kW	515	290A0301
1	Drive station 21 RPM 1,1 kW	515	290A0302
1	Drive station 9 RPM 0,55 kW	515	290A0303
2	Hanger bearing	0	290A0305
3	Screw trough outlet section 1m komplet	1000	290A0311
4	Screw trough middle section 1m complete	1000	290A0312
5	Screw trough inlet section 1m complete	1000	290A0313
6	Flange bearing end complete	105	290A0314
-	Screw trough section w/center outlet 1m	1000	290A0315

Pos. 2 shall be mounted at conveyor length above 6 m.

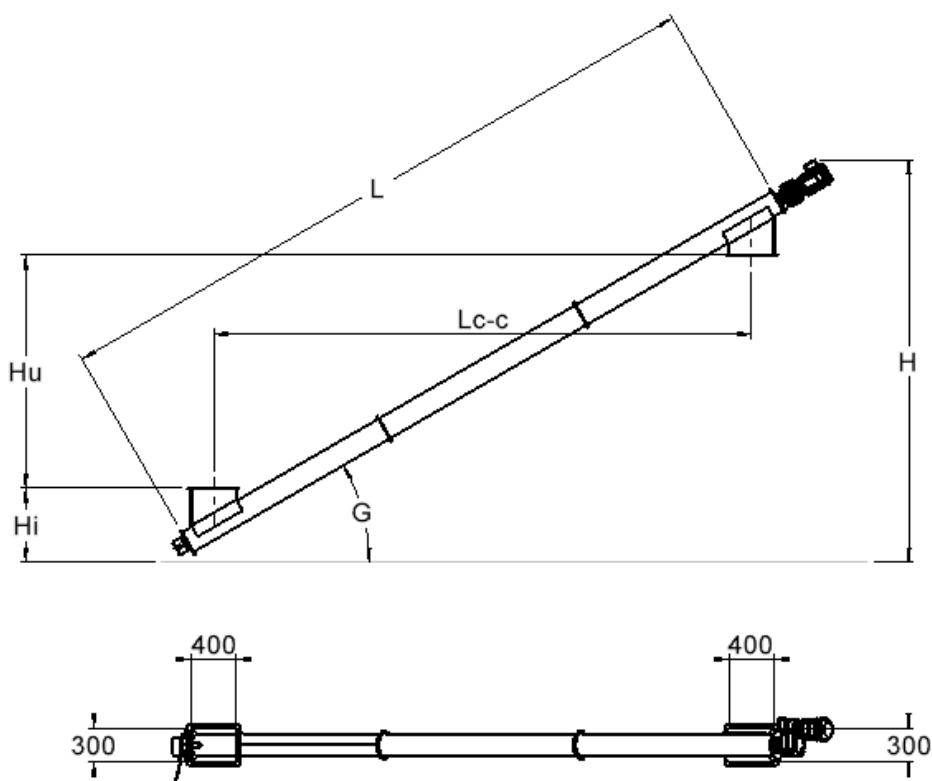
HIGH-END DUST HANDLING SOLUTIONS & SURFACE TREATMENT

FILTERS - FANS - DUCTING - SILOS - OUTFEEDERS - CONVEYERS - TRUCKLOADERS - CYCLONES - FINISHING LINES

ATT 200R

Technical data:

Placement of in- and outlet flange according to sketch. Flange measurement in a later section.



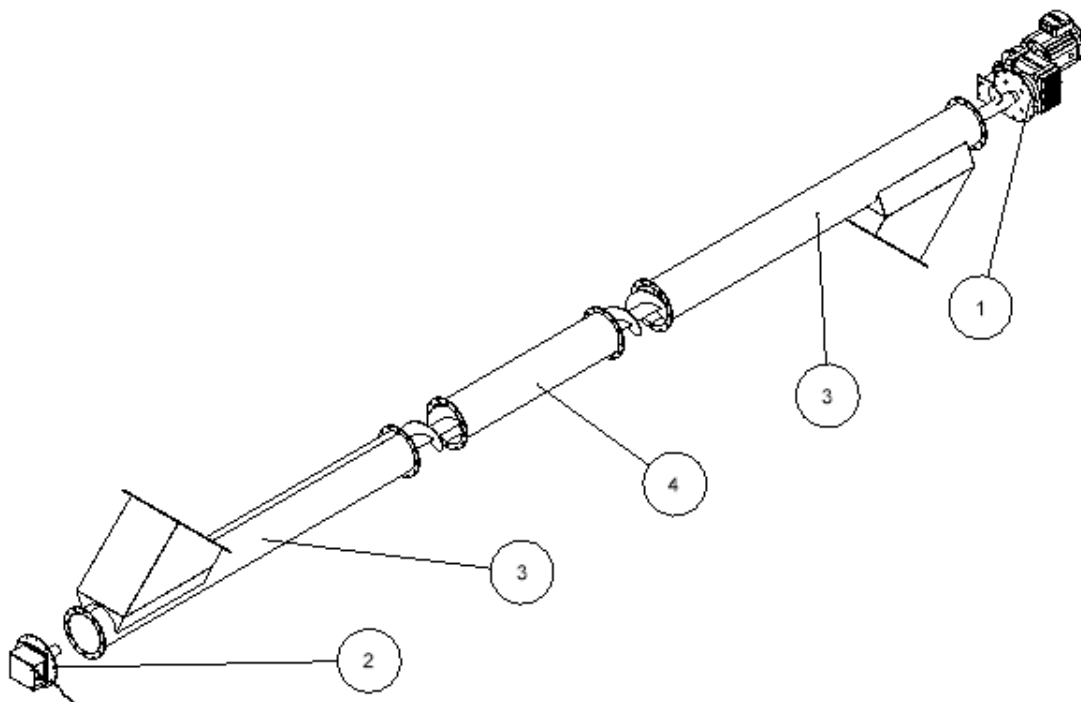
Item No.	Type	G	Hi	Hu	H	L	Lc-c
290A0040	Tubular screw 30° 4m ATT 200R	30°	650	1050	2540	4000	3002
290A0041	Tubular screw 30° 5m ATT 200R	30°	650	1550	3040	5000	3867
290A0042	Tubular screw 30° 6m ATT 200R	30°	650	2050	3540	6000	4732
290A0045	Tubular screw 45° 4m ATT 200R	45°	800	1537	3417	4000	2444
290A0046	Tubular screw 45° 5m ATT 200R	45°	800	2244	4124	5000	3151
290A0047	Tubular screw 45° 6m ATT 200R	45°	800	2951	4831	6000	3858

Screw length max. 6 meters

Screw conveyor.

ATT 200R

Modules



Pos	Type	Length	Item No.
1	Drive station 38 RPM 2,2 kW Std.	515	290A0250
1	Drive station 56 RPM 3,0 kW	515	290A0251
1	Drive station 21 RPM 1,1 kW	515	290A0252
1	Drive station 9 RPM 0,55 kW	515	290A0253
2	Flange bearing end	105	290A0254
3	Tubular screw \varnothing 200mm 30° inlet/outlet section 2m	2000	290A0255
3	Tubular screw \varnothing 200mm 45° Inlet/outlet section 2m	2000	290A0256
4	Tubular screw \varnothing 200mm 1m.	1000	290A0257
4	Tubular screw \varnothing 200mm 2m.	2000	290A0258

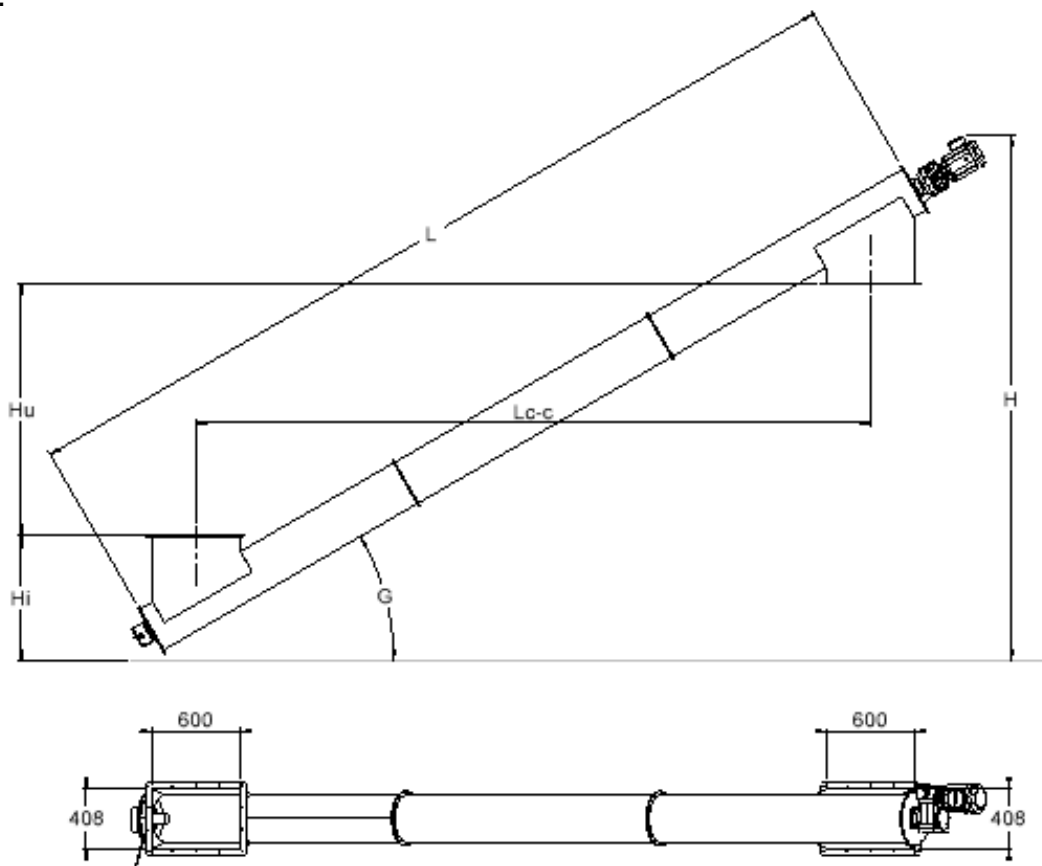
Screw length max. 6 meters

Screw conveyor.

ATT 300R

Technical data:

Placement of in- and outlet flange according to sketch. Flange measurement in a later section.



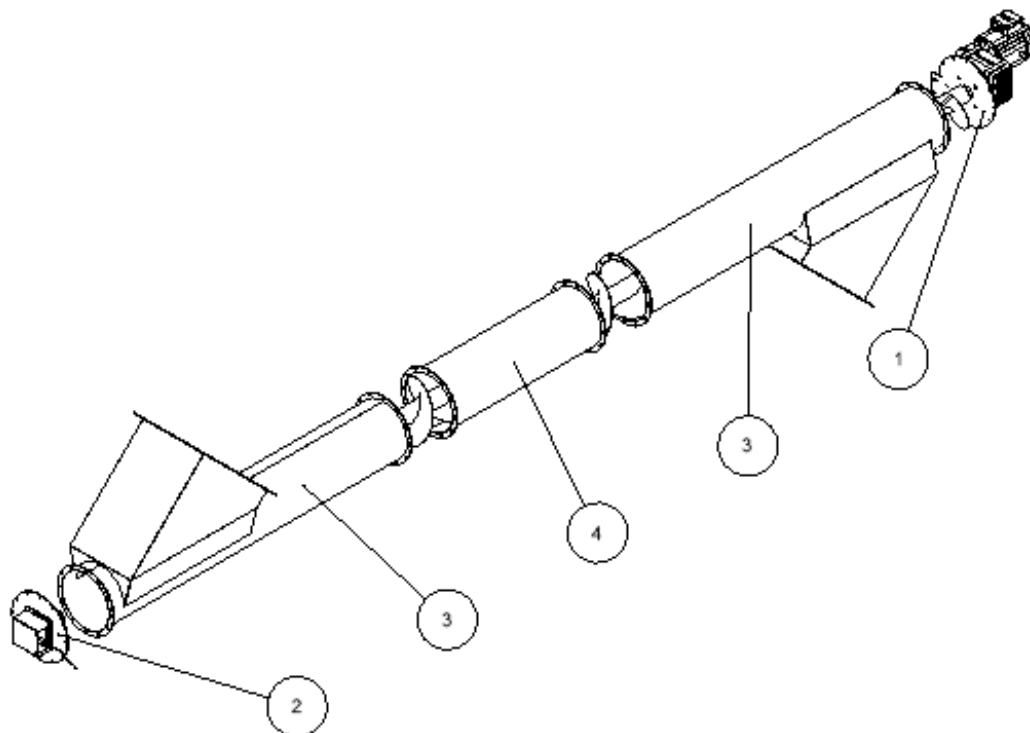
Item No.	Type	G	Hi	Hu	H	L	Lc-c
290A0050	Tubular screw $\varnothing 320$ 30° 4m	30°	850	715	2573	4000	2862
290A0051	Tubular screw $\varnothing 320$ 30° 5m	30°	850	1215	3073	5000	3727
290A0052	Tubular screw $\varnothing 320$ 30° 6m	30°	850	1715	3573	6000	4592
290A0055	Tubular screw $\varnothing 320$ 45° 4m	45°	1050	1052	3427	4000	2329
290A0056	Tubular screw $\varnothing 320$ 45° 5m	45°	1050	1759	4134	5000	3036
290A0057	Tubular screw $\varnothing 320$ 45° 6m	45°	1050	2466	4841	6000	3743

Screw length max. 6 meters

Screw conveyor.

ATT 300R

Modules



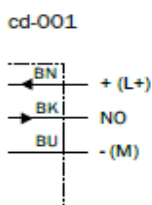
Pos	Type	Length	Item No.
1	Gearmotor end complete 38 RPM 2,2 kW Std.	515	290A0350
1	Gearmotor end complete 56 RPM 3,0 kW	515	290A0351
1	Gearmotor end complete 21 RPM 1,1 kW	515	290A0352
1	Gearmotor end complete 9 RPM 0,55 kW	515	290A0353
2	Flanged bearing end	105	290A0354
3	Tubular screw \varnothing 320mm 30° inlet/outlet section 2m	2000	290A0355
3	Tubular screw \varnothing 320mm 45° inlet/outlet section 2m	2000	290A0356
4	Tubular screw \varnothing 320mm 1m.	1000	290A0357
4	Tubular screw \varnothing 320mm 2m.	2000	290A0358

Screw length max. 6 meters

Connection

Electric

Item	Remark	Item No.
Gearmotor FA57/GDRN80MK4	9 min ⁻¹ 230/400Vac - 0,55kW IE3 2,25/1,29A	80000625
Gearmotor FA57/GDRN90S4	20 min ⁻¹ 230/400Vac - 1,1kW IE3 4,45/2,55 A	80000624
Gearmotor FA57/GDRN100LS4 - STD	38 min ⁻¹ 230/400Vac - 2,2kW IE3 8,3/4,75A	80000622
Gearmotor FA57/GDRN100L4	58 min ⁻¹ 230/400Vac - 3,0kW IE3 11,2/6,4 A	80000623
Inductive sensor (1puls/omdr)	10..30Vdc M30 PNP NO	1218
Option:		
Blocked outlet switch	1 NC + 1 NO	750001



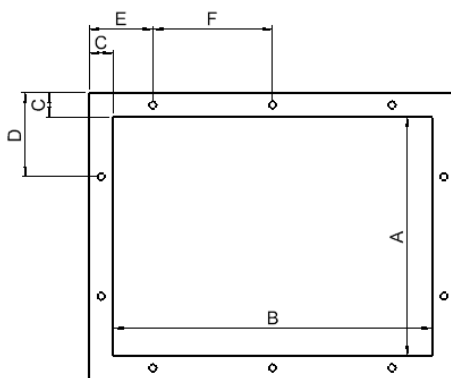
2-pole NC + NO Snap Action



Flanges

Inlet and outlet flange - ATT 200 and ATT 200R

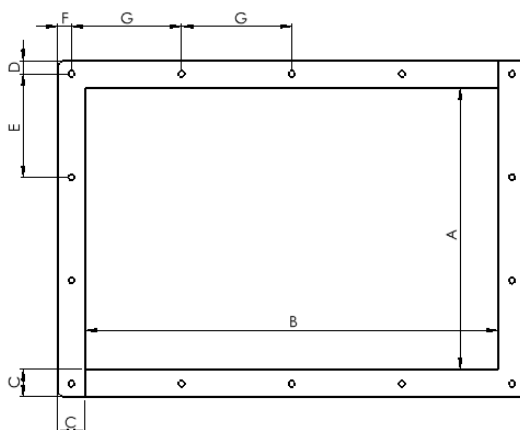
Outlet with welded flange. Special flanges possible.



Type	A mm	B mm	C mm	D mm	E mm	F mm	Bolt	Item No.
300x400	300	400	30	105	80	150	M 8	160022-G

Inlet and outlet flange - ATT 300 and ATT 300R

Outlet with welded flange. Special flanges possible.

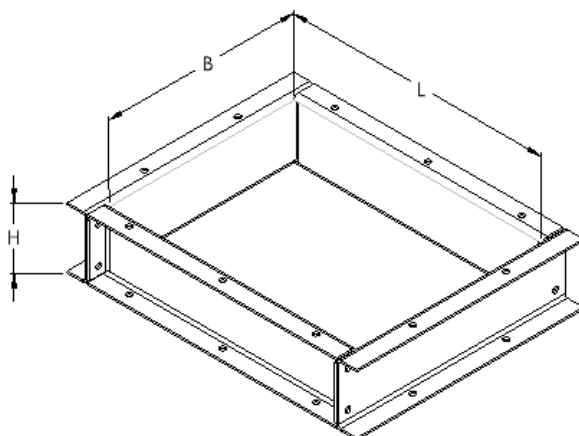


Type	A mm	B mm	C mm	D mm	E mm	F mm	F mm	Bolt	Item No.
408x600	408	600	40	19	150	20	160	M 8	221B0197-G

Options

Inlet and outlet connection piece ATT 200

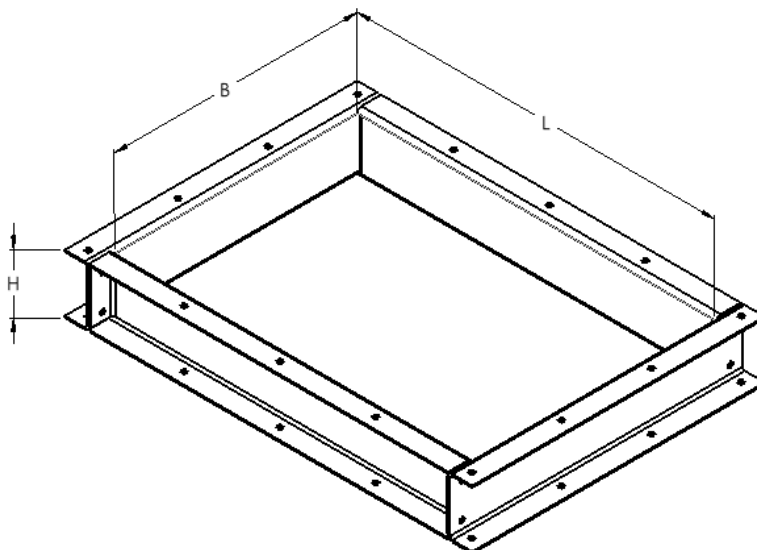
Symmetrical transition piece made from 3mm galvanized sheetmetal.



Type	H	B	L	Item No.
Connection piece ABS 400	100	300	400	192A0166

Inlet and outlet connection piece ATT 300

Symmetrical transition piece made from 3mm galvanized sheetmetal.



Type	H	B	L	Item No.
Connection peice ACU	100	408	600	221A0036

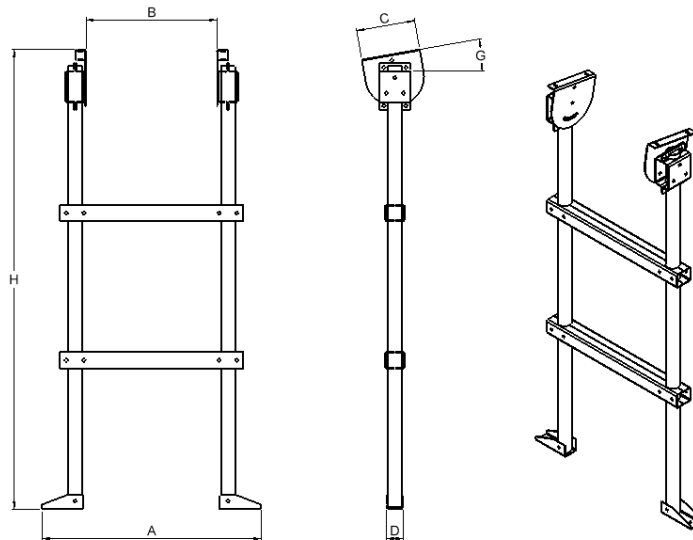
Screw conveyor.

Options

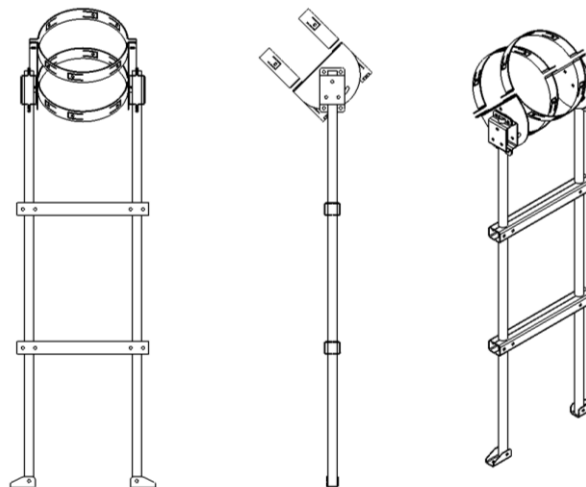
Support ATT 200 and ATT 300 adjustable

Designed in 3mm galvaniseret sheetmetal and galvanized pipe.

200 + 300



200R + 300R



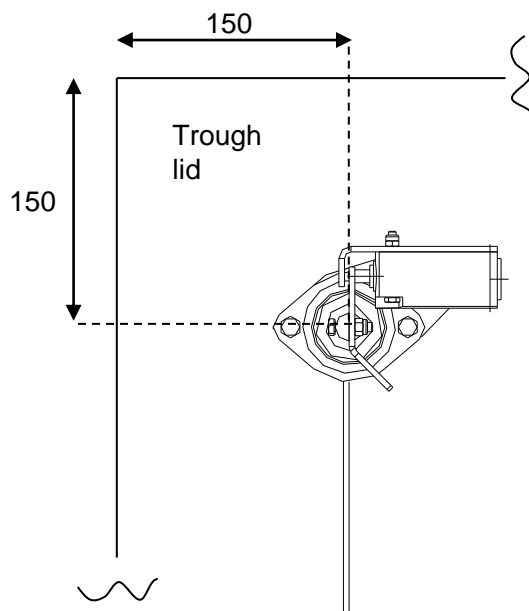
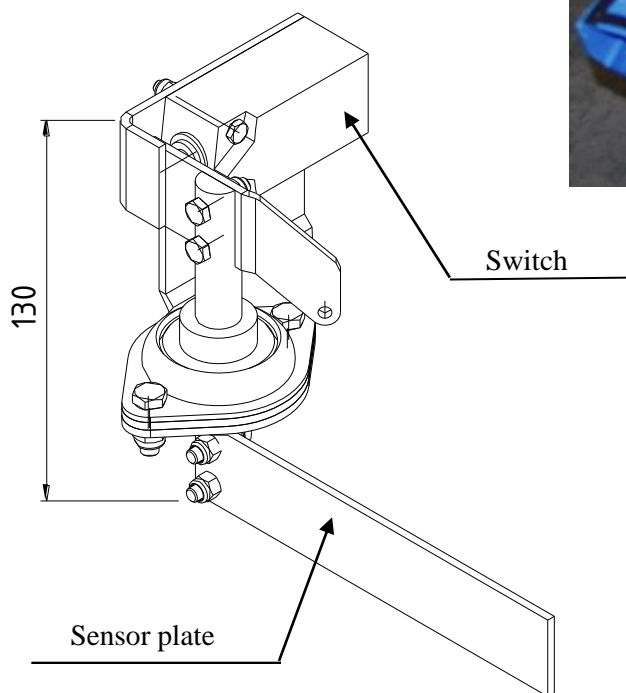
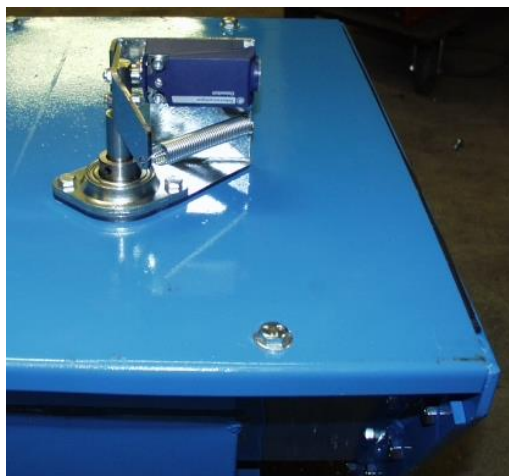
Item No.	Description	A	B	C	D	G	H
290A0014	Support ATT 200	600	400	250	42	0° - 30°	Max 3000
290A0015	Support ATT 300	744	446	200	56	0° - 15°	Max 3000
290A0016	Support ATT 200R	404	204	250	42	0° - 45°	Max 3000
290A0017	Support ATT 300R	525	325	250	42	0° - 45°	Max 3000

Screw conveyor.

Options

Blocked outlet switch

When connecting with other conveyors or vessels with lower or variable capacities, it is recommended to use the switch to warn and stop the screw conveyor in case of material built-up in the outlet. This can be done via Aagaard blocked outlet switch.



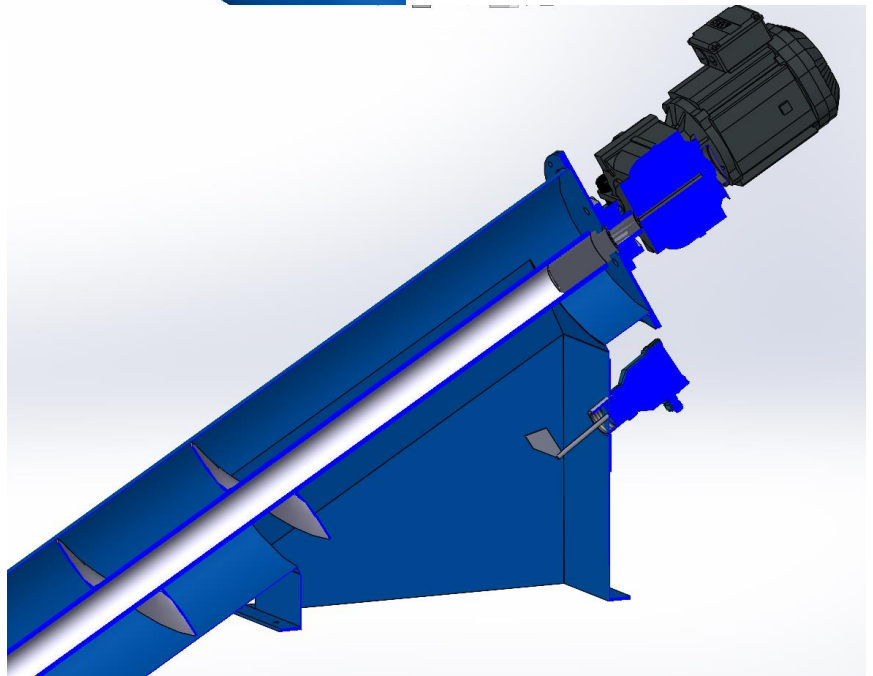
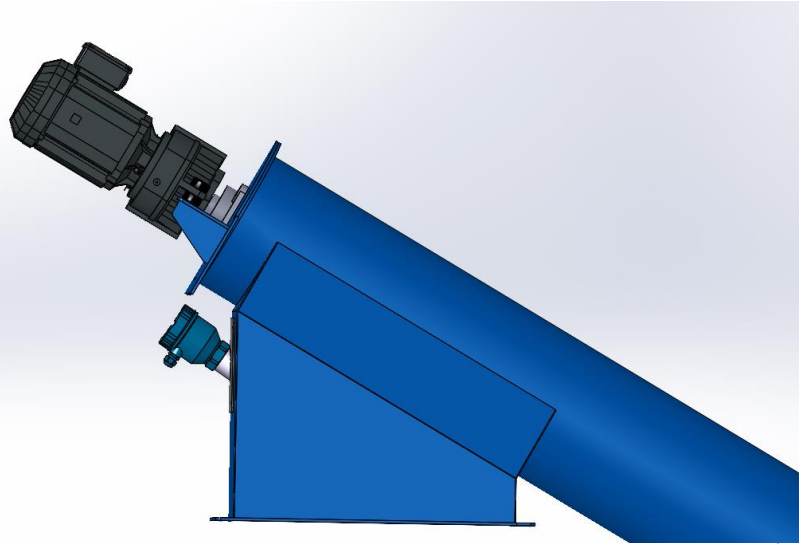
Item No.	290A0005
-----------------	-----------------

Screw conveyor.

Options

Blocked outlet switch for tubular screw conveyors

Securing against material built-up in the outlet can be done via a rotorswitch.



Item No.	130A0300	Point level switch w/bracket FTE20
----------	----------	------------------------------------

HIGH-END DUST HANDLING SOLUTIONS & SURFACE TREATMENT

FILTERS - FANS - DUCTING - SILOS - OUTFEEDERS - CONVEYERS - TRUCKLOADERS - CYCLONES - FINISHING LINES



SILO WITH OUTFEEDER FOR WOOD AND PELLETS

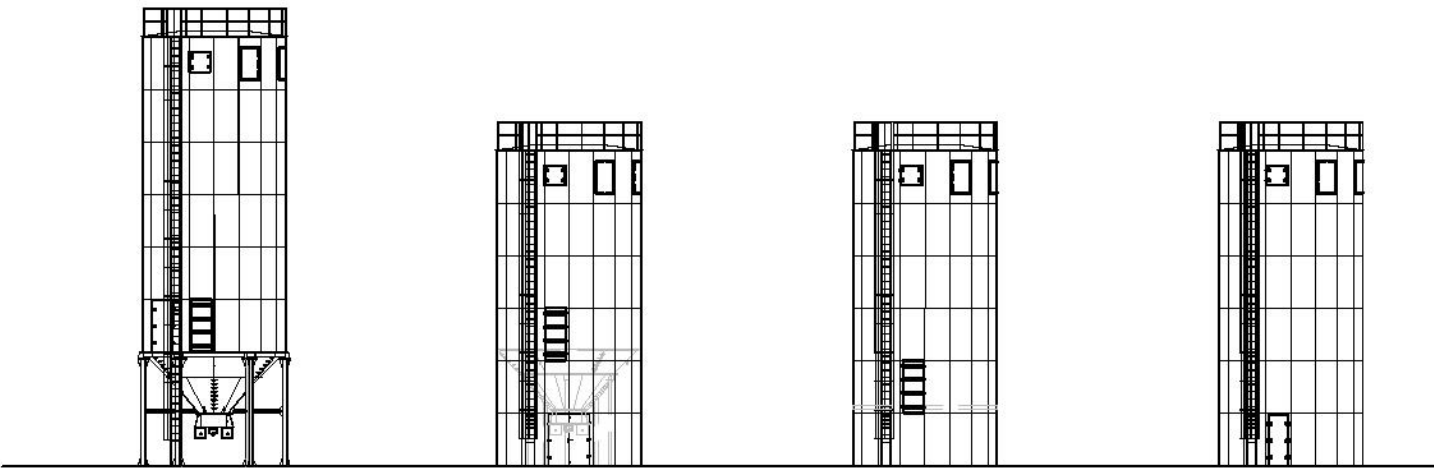
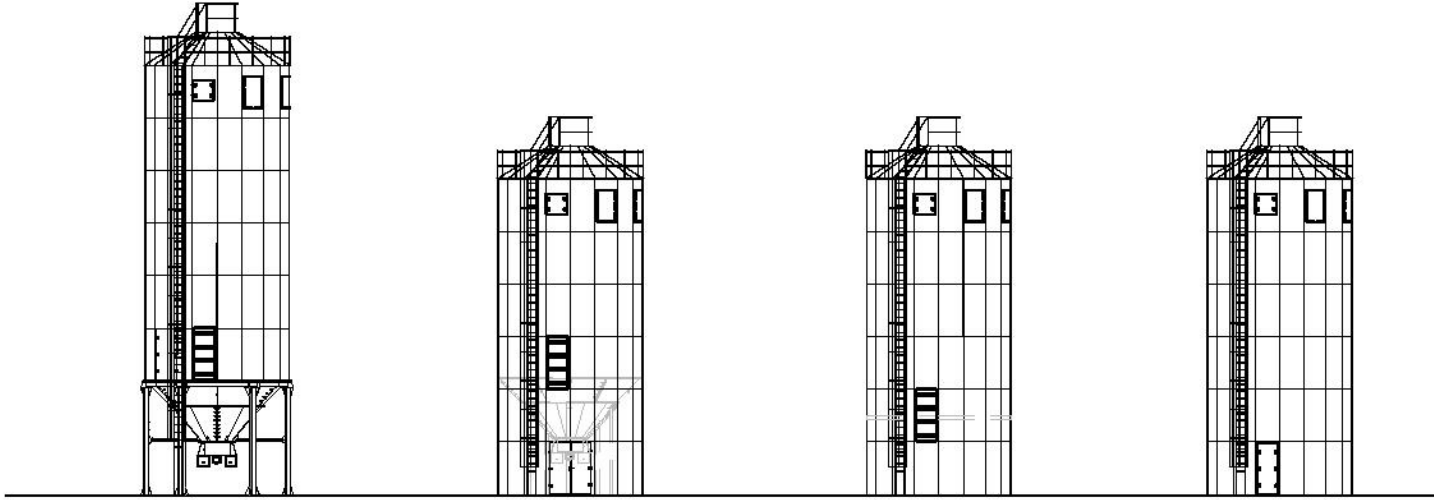
Turn-key solutions for
the Sawmill and Wood Industry



ONE SUPPLIER

WE DO

- Silo with Outfeeder upto 500m³



SENSOR



COMPLETE SYSTEMS



TRUCK LOA

OBEL-P Group/Aagaard have designed, manufactured, installed & serviced Silo Systems for storage of chips, dust and pellets for more than 50 years.

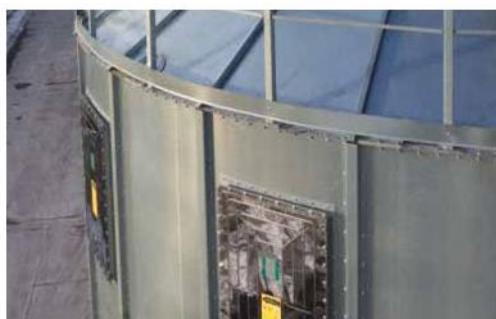
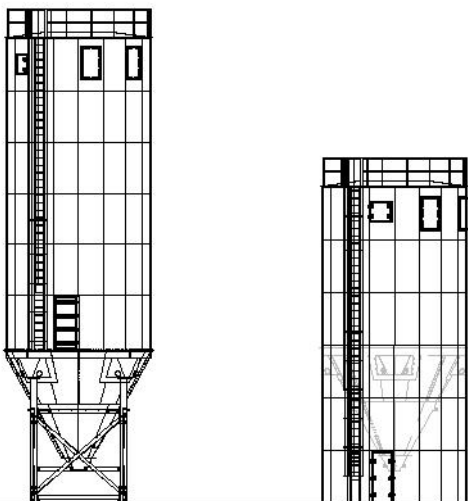
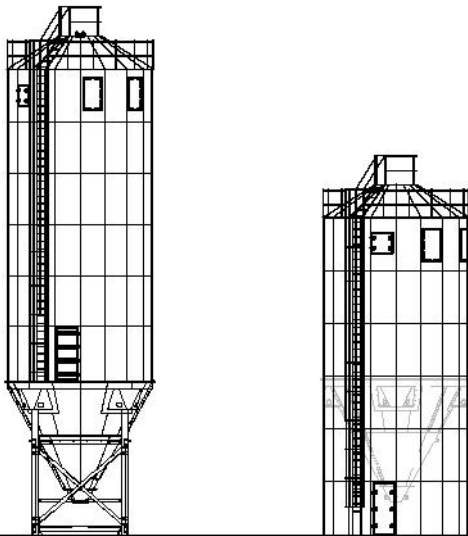
We delivery turn-key solutions for either briquetting & boiler systems or for pick-up, where we also manufacture truck loading systems. We have solutions and an approved silo program to fulfill your demands within handling wood.

Modular silos in sizes from Ø3,8m up to 119m³, Ø5,5m up to 300m³ and Ø6,5m up to 500m³ with pitched or flat roof and with or without Aagaard conical out feeder.

The OBEL-P Group of Companies has for more than 50 years been a strong and reliable partner for the Sawmill, Wood and Furniture Industry.

We design, manufacture, install and service turn-key solutions globally and we believe in maintaining a strong and reliable partnership with everybody we work together with.

Doing business with us is not just about buying a product! Customers buy our experience to identify the best solutions to fit their unique needs. We strive to add value to your business.



LOADING

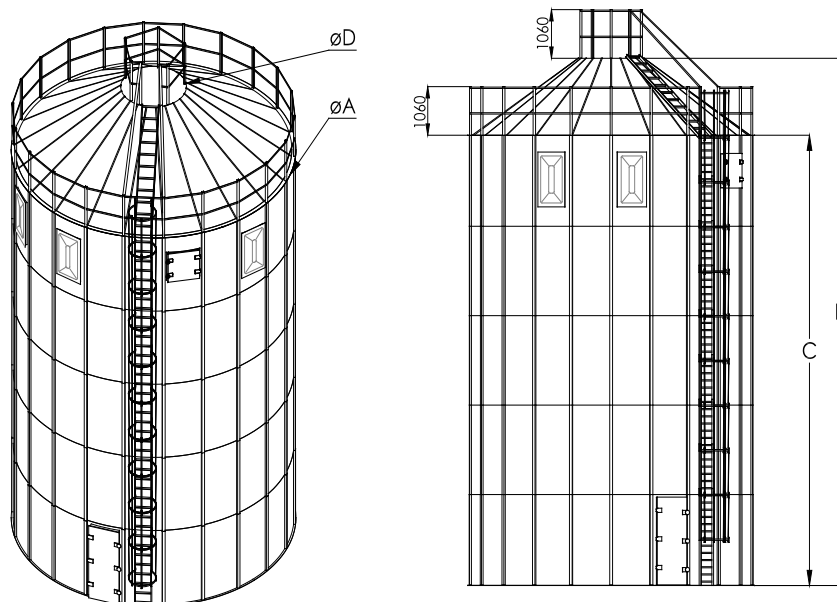
EXPLOSION PANELS

OUTFEEDING



SILO

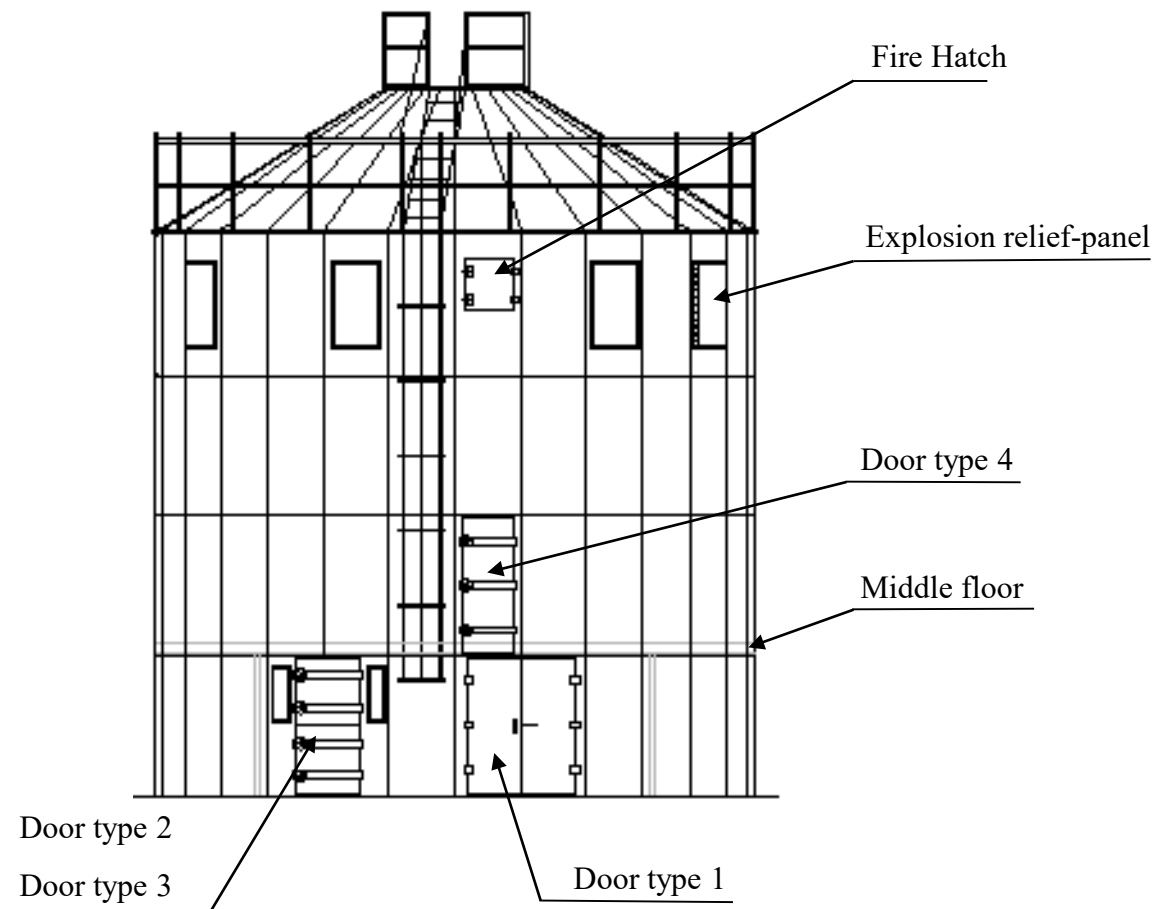
Type: AST with Pointed Roof



Technical data:

Type	øA	B	C	øD	Contents m ³	Weight KG	Part no.
AST 13/2-S	3890	4830	3960	1056	50	2400	130A0056
AST 13/3-S	3890	6770	5900	1056	73	3200	130A0058
AST 13/4-S	3890	8730	7860	1056	96	4100	130A0060
AST 13/5-S	3890	10690	9820	1056	119	4800	130A0062
AST 13/6-S	3890	12640	11770	1056	142	5700	130A0064
AST 18/2-S	5385	5180	3960	1566	99	3400	130A0066
AST 18/3-S	5385	7120	5900	1566	143	4500	130A0068
AST 18/4-S	5385	9080	7860	1566	187	5800	130A0070
AST 18/5-S	5385	11040	9820	1566	231	7000	130A0072
AST 18/6-S	5385	12990	11770	1566	297	8000	130A0074
AST 22/2-S	6582	5645	3960	1566	153	4300	130A0076
AST 22/3-S	6582	7585	5900	1566	219	5700	130A0078
AST 22/4-S	6582	9545	7860	1566	285	7000	130A0080
AST 22/5-S	6582	11505	9820	1566	351	8500	130A0082
AST 22/6-S	6582	13455	11770	1566	417	9800	130A0084
AST 22/7-S	6582	15405	13720	1566	483	11500	130A0086

TECHNICAL DATA

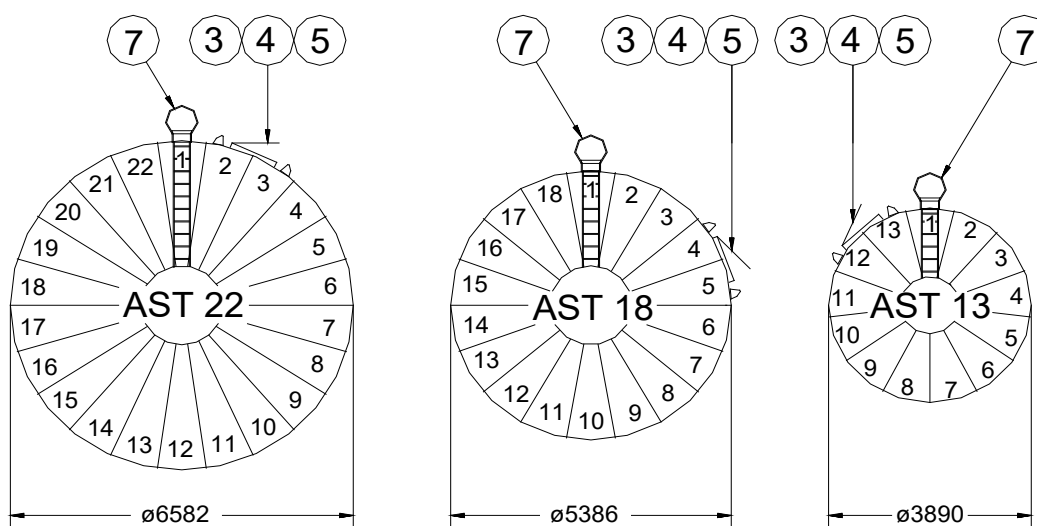
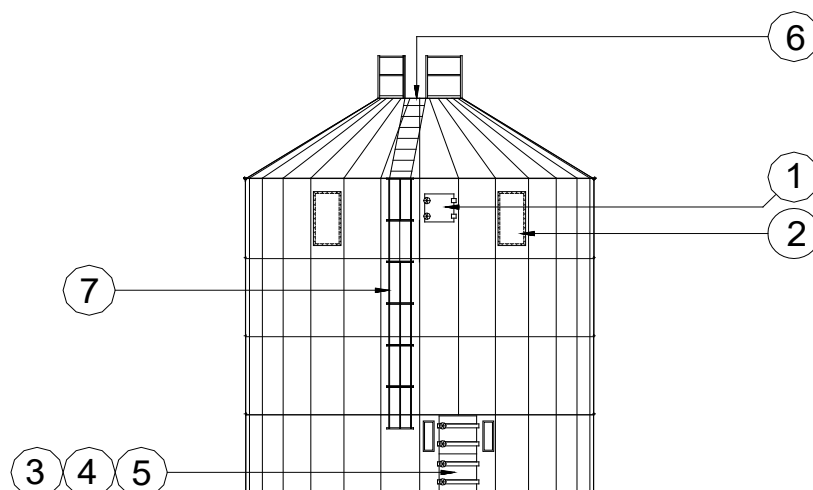


Door type according to request and need of the customer.

Type		Part No.			
		AST - 13	AST -18	AST - 22	
Door:	1	Double side-hung 1500x1900	130A0093	130A0039	130A0026
	2	Horizont. divided w. light fittings 900x1900	130A0037	130A0041	130A0034
	3	Horizontally divided 900x1900	130A0038	130A0043	130A0033
	4	700x1900 (used over middle floor)	130A0035	130A0114	130A0114
Fire hatch (1 pce. Incl. in the price of the silo)			130A0087	130A0088	130A0088
Explosion relief panel (0,68m2)			130A0103	130A0046	130A0046

Filter Systems - Dust Extraction Systems - Silo Systems

Silo Type AST with pitched roof



Surface Treatment Plants - Spray Machines

Spray Booths - Drying Ovens - Finishing Line

Technical Data:

When ordering please inform following:

- Number of fire gates (1 pce. fire gate is delivered standard to the right of the ladder) Pos. 1
- Number explosion relief doors Pos. 2
- Door type pos. 3,4 or 5
- Measure of holes on silo roof and what the roof has to carry (filter – cyclone – conveyor etc.) Pos. 6
- Dimensional sketch of filter – cyclone – conveyor etc.
- Positioning of pos. 1-5 dependent on silo type in pos. 1-22
- Positioning of ladder pos. 7

Choice of type and article numbers please see our price list Group 8, page 2.

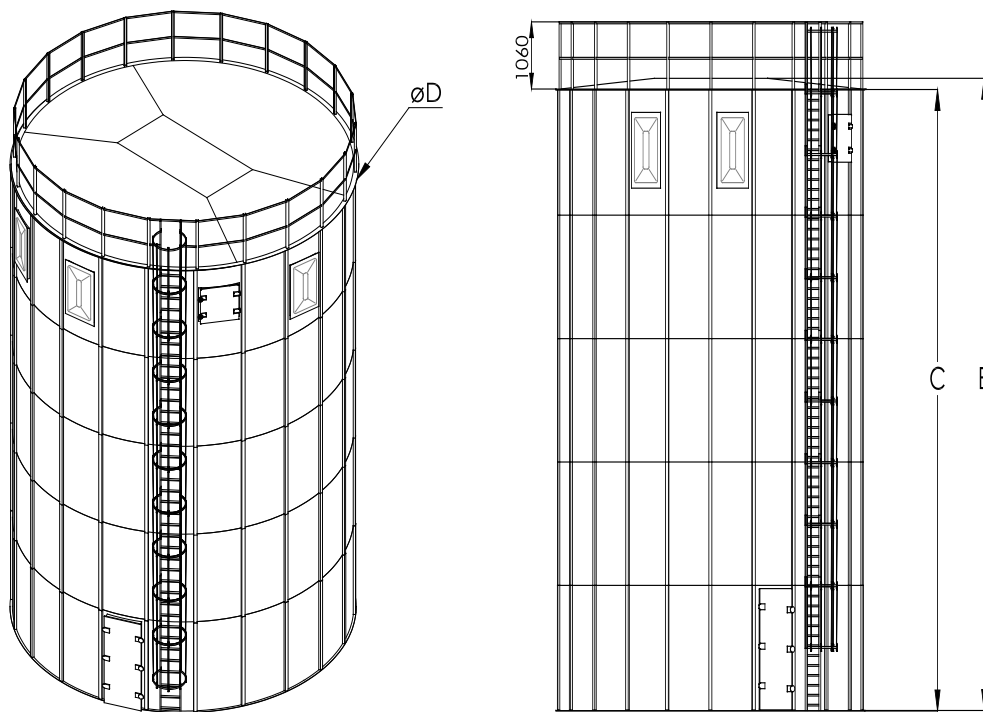
OBEL-P GROUP
Aagaard A/S

Smedevænget 14, DK-9560 Hadsund
Telefon +45 96 531 200 Fax +45 98 574 215 E-mail: mail@aagaard-systems.dk

Fans - Cyclones - Pipe Systems

SILO

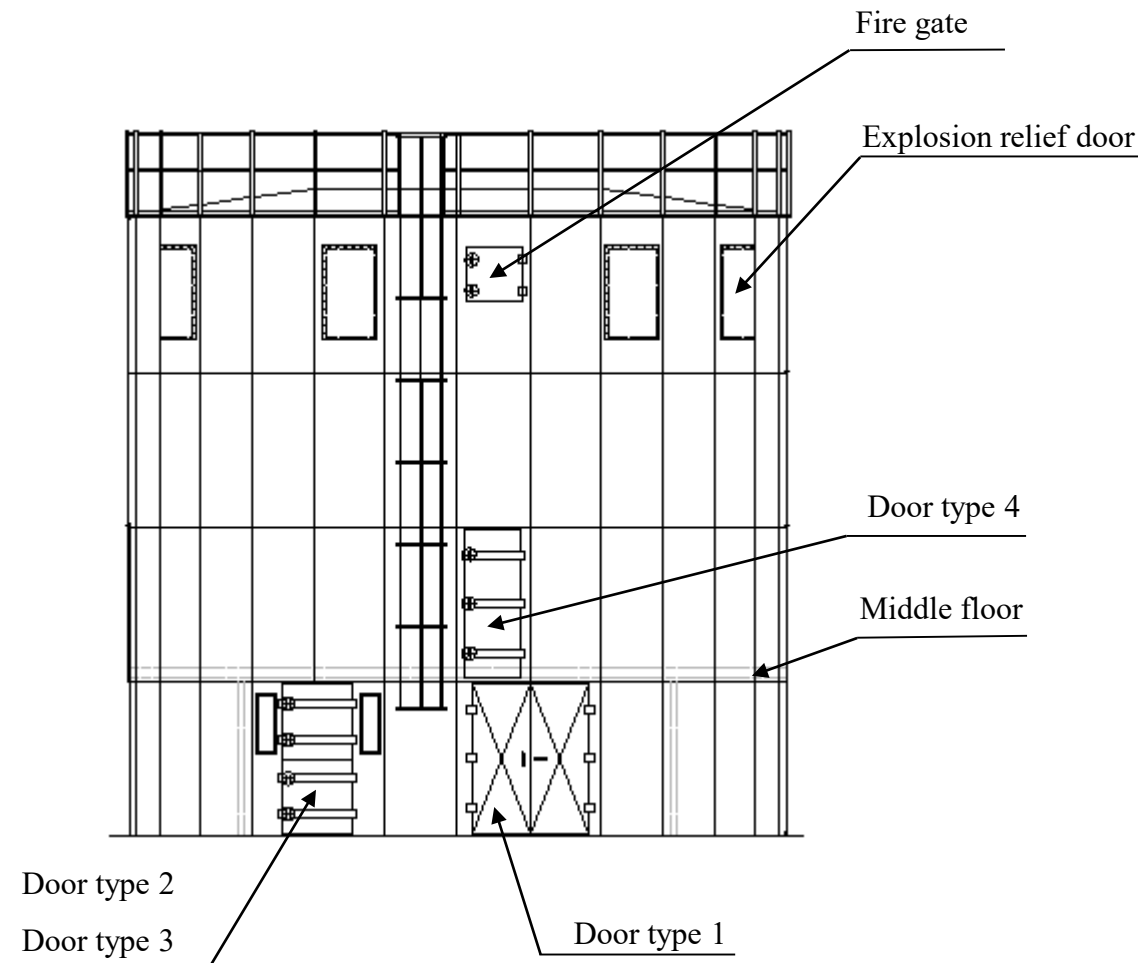
Type: AST with flat roof



Technical data:

Type	B	C	øD	Content m ³	Weight KG	Part no.
AST 13/2-F	4020	3960	3890	46	2600	130A0055
AST 13/3-F	5960	5900	3890	69	3500	130A0057
AST 13/4-F	7920	7860	3890	92	4400	130A0059
AST 13/5-F	9880	9820	3890	115	5200	130A0061
AST 13/6-F	11830	11770	3890	138	6100	130A0063
AST 18/2-F	4170	3960	5385	88	3700	130A0065
AST 18/3-F	6110	5900	5385	132	4850	130A0067
AST 18/4-F	8070	7860	5385	176	6300	130A0069
AST 18/5-F	10030	9820	5385	220	7600	130A0071
AST 18/6-F	11980	11770	5385	286	8500	130A0073
AST 22/2-F	4130	3960	6582	132	4700	130A0075
AST 22/3-F	6070	5900	6582	198	5700	130A0077
AST 22/4-F	8030	7860	6582	264	7700	130A0079
AST 22/5-F	9990	9820	6582	330	9200	130A0081
AST 22/6-F	11940	11770	6582	396	10600	130A0083
AST 22/7-F	13890	13720	6582	462	12200	130A0085

TECHNICAL DATA

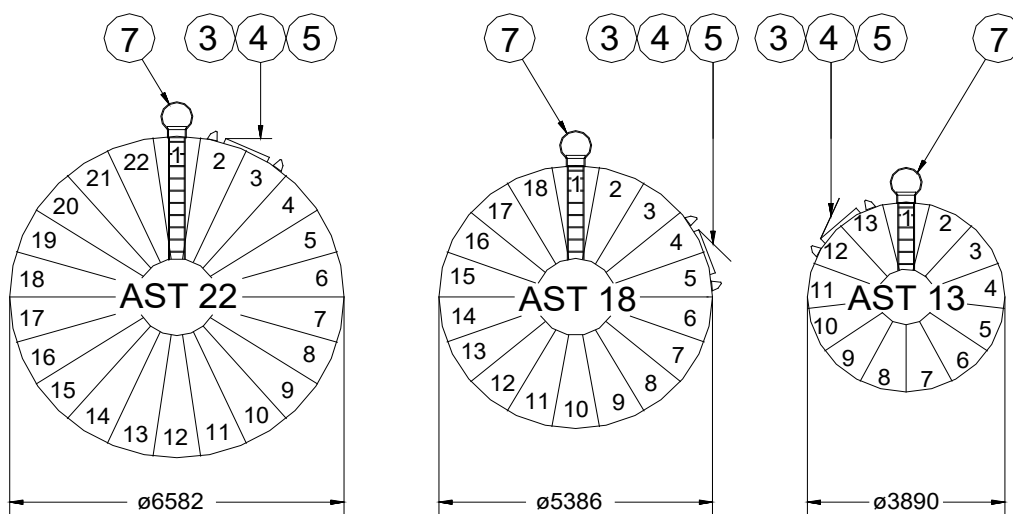
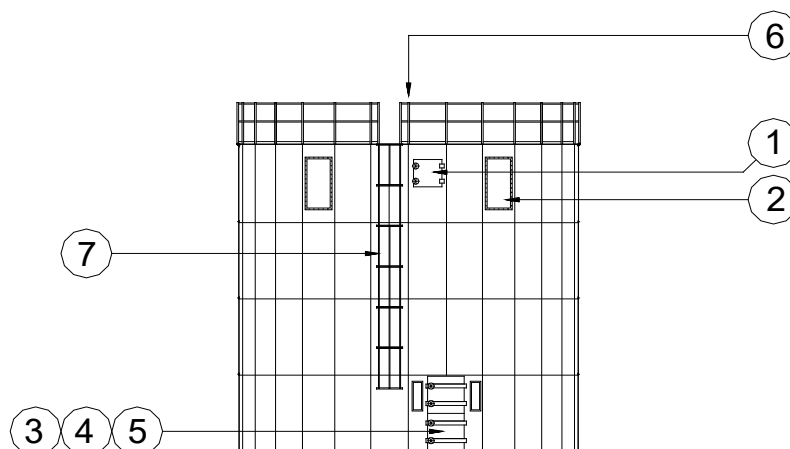


Door type according to request and need of the customer.

Type		Part No.			
		AST - 13	AST - 18	AST - 22	
Door:	1	Double side-hung 1500x1900	130A0093	130A0039	130A0026
	2	Horizont. Divided w. light fittings 900x1900	130A0037	130A0041	130A0034
	3	Horizontally divided 900x1900	130A0038	130A0043	130A0033
	4	700x1900 (used over middle floor)	130A0035	130A0114	130A0114
Fire gate (1 pce. incl. In the price of the silo)			130A0087	130A0088	130A0088
Explosion relief panel (0,68 m2)			130A0103	130A0046	130A0046

Filter Systems - Dust Extraction Systems - Silo Systems

Silo Type AST with flat roof



Surface Treatment Plants - Spray Machines

Spray Booths - Drying Ovens - Finishing Line

Technical Data:

When ordering please inform following:

- Number of fire gates (1 pce. fire gate is delivered standard to the right of the ladder) Pos. 1
- Number explosion relief doors Pos. 2
- Door type pos. 3,4 or 5
- Measure of holes on silo roof and what the roof has to carry (filter – cyclone – conveyor etc.) Pos. 6
- Dimensional sketch of filter – cyclone – conveyor etc.
- Positioning of pos. 1-5 dependent on silo type in pos. 1-22
- Positioning of ladder pos. 7

Choice of type and article numbers please see our price list Group 8, page 2.

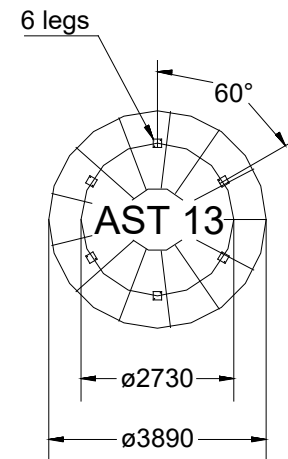
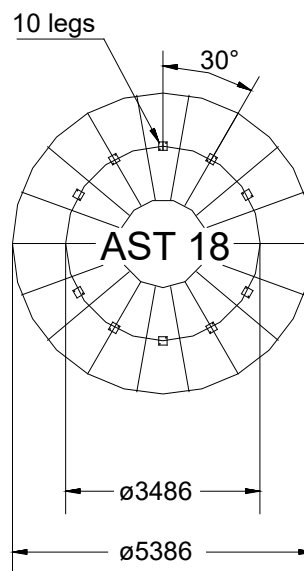
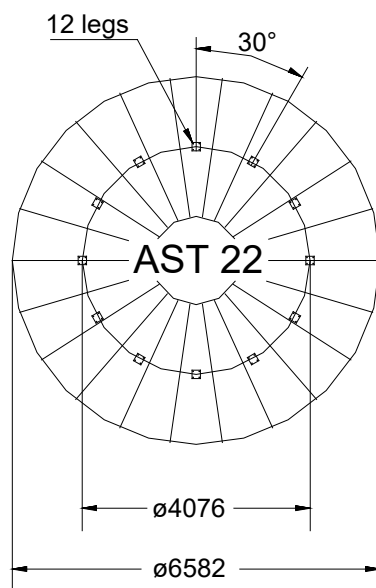
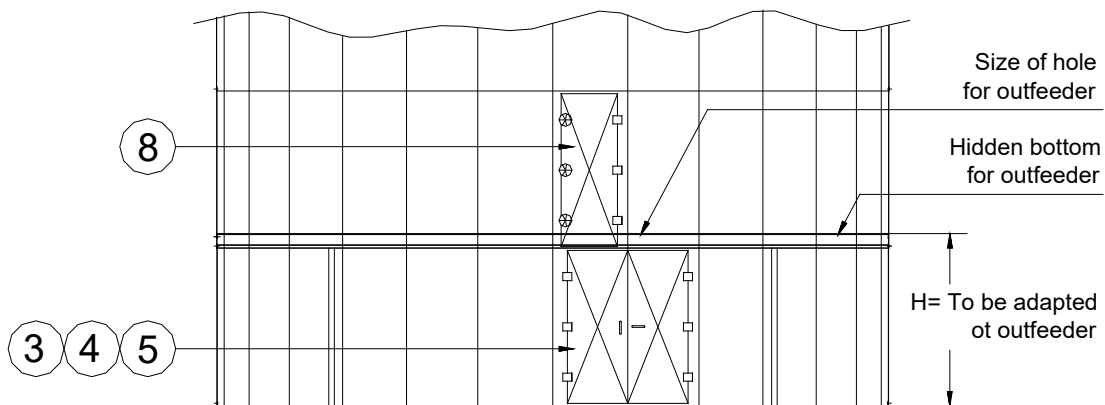


Smedevænget 14, DK-9560 Hadsund
 Telefon +45 96 531 200 Fax +45 98 574 215 E-mail: mail@aagaard-systems.dk

Fans - Cyclones - Pipe Systems

Filter Systems - Dust Extraction Systems - Silo Systems

Silo Type AST with hidden bottom



Surface Treatment Plants - Spray Machines

Spray Booths - Drying Ovens - Finishing Line

Technical Data:

When ordering please inform following:

- Number of doors pos. 8 (1 pce. silo door 700x1900 is delivered standard with the hidden bottom)
- Door type pos. 3,4 or 5
- Size of holes in middle floor for outfeeder
- Type of outfeeder (manufacture and size)
- Positioning of the hidden bottom in the silo – state H

The silo is delivered standard with shown position of legs under the hidden bottom, if other position and execution is requested please enclose drawing. Choice of type and article numbers please see our price list Group 8 – page 2.

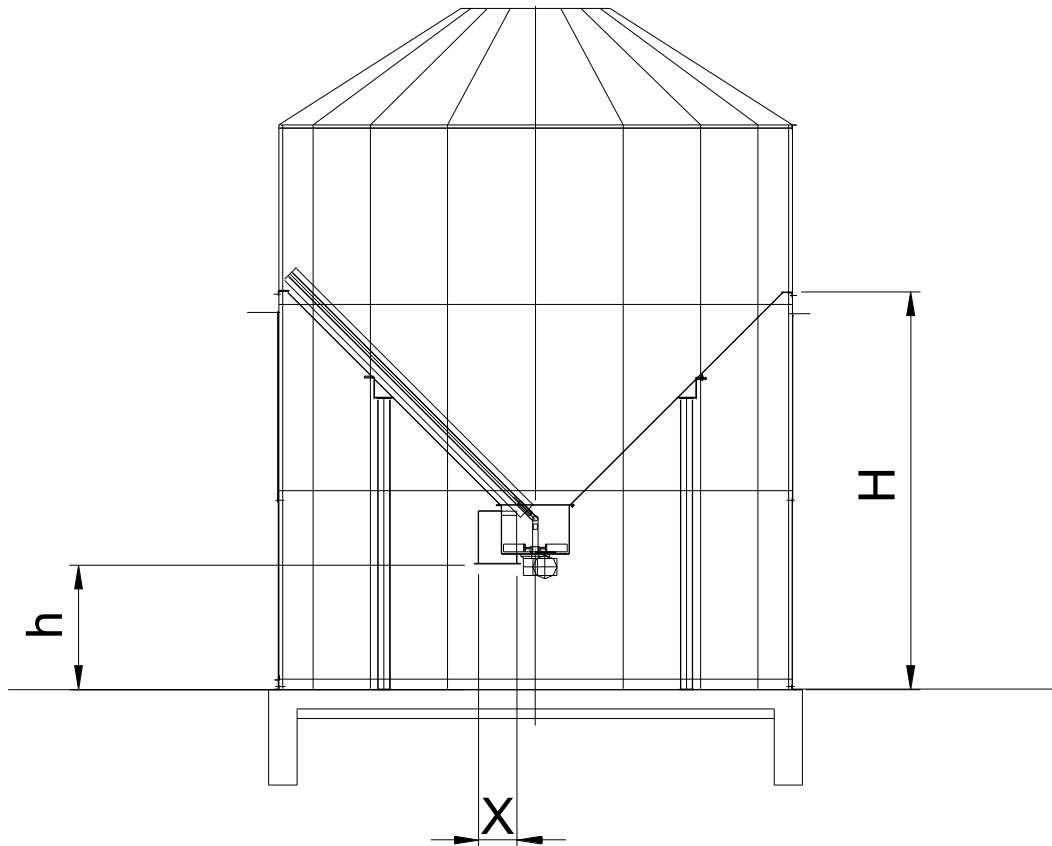
OBEL-P GROUP
Aagaard A/S

Smedevænget 14, DK-9560 Hadsund
Telefon +45 96 531 200 Fax +45 98 574 215 E-Mail: mail@aagaard-systems.dk

Fans - Cyclones - Pipe Systems

Conical outfeeder

ACU



Surface Treatment Plants - Spray Machines

Spray Booths - Drying Ovens - Finishing Line

Technical Data:

Type	Silo Type		Height		Outlet X		Worm screw		Silo m ³		Item no.
	O	Ød	H	h	B	L	ø	Kw	- m ³	+ m ³	
ACU 4-I Inside silo	13	3890	2760	600	400	592	180	4	26		138000-2
ACU 4-U Under silo	13	3890	2835	600	400	592	180	4		8	138000-1
ACU 5-I Inside silo	18	5385	3460	600	400	592	180	4	59		221A0001
ACU5-U Under silo	18	5385	3460	600	400	592	180	4		20	221A0003
ACU 6-I Inside silo	22	6582	4060	600	400	592	180	4	110		221A0004
ACU 6-U Under silo	22	6582	4060	600	400	592	180	4		36	221A0005

OBEL-P GROUP
Aagaard A/S

Smedevænget 14, DK-9560 Hadsund
Telefon +45 96 531 200 Fax +45 98 574 215 E-mail: mail@aagaard-systems.dk

Fans - Cyclones - Pipe Systems

Aagaard Truck Loader - ATL



The unique Aagaard Truck Loader type ATL is designed for rapid filling of truck trailers.

The truck loader consists of our chain conveyor AKR 900 built into a cover suspended in a frame, which is lifted and lowered by 3 geared motors. Trucks can drive directly in under the frame and park. Specially developed sensors and rubber plates ensure a tight connection between the trailer and chain conveyor cover minimizing dust escape. The positioning of the cover is done quickly and safely and ensures a good seal, even if the trailer is not 100% level.



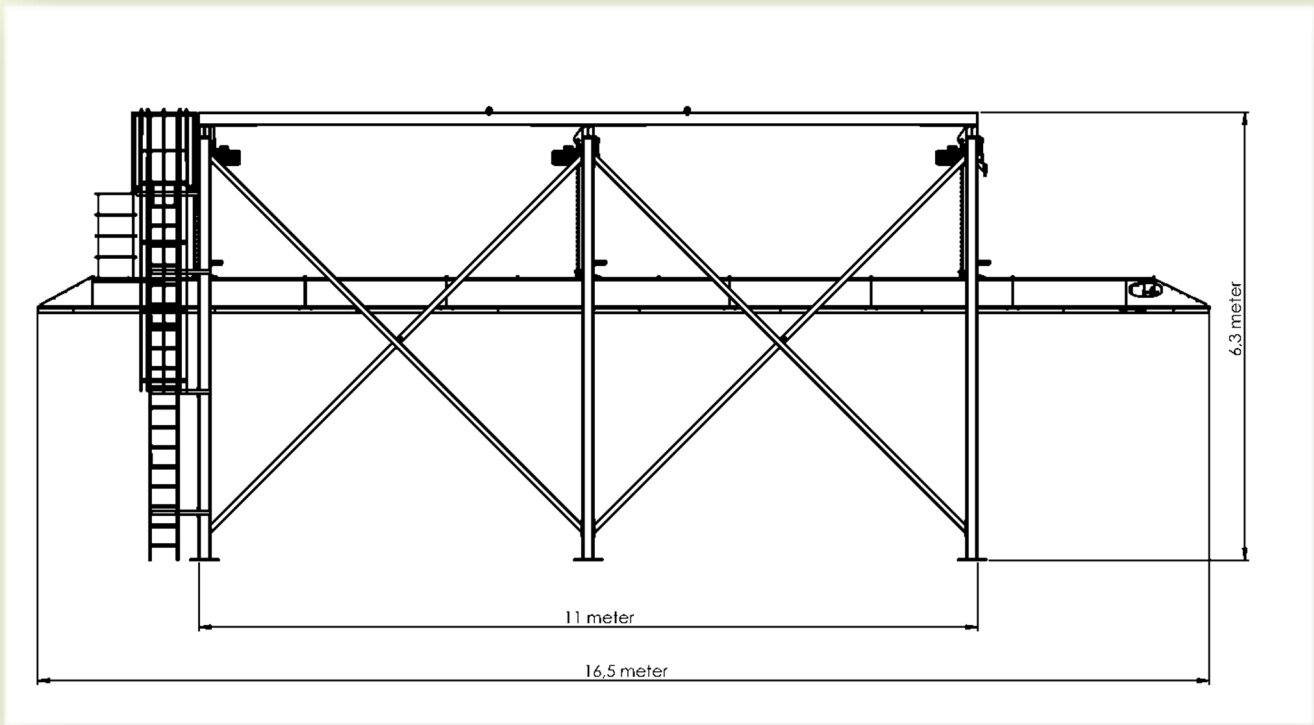
The chain conveyor cover is designed to minimize wind and snow loading on it. Stability is ensured by adjustable slide blocks, which slide up and down in the frame's legs. The steel frame is optimized for quick installation.

A service platform and accompanying ladder means that service can be made easily and safely. Access to service from above is possible through Metu access doors.

The chain conveyor ensures even and quick filling in the whole length of the trailer. The actual degree of filling depends on the specific material. The adjustable electro-mechanical level switch ensures optimum filling.



Aagaard Truck Loader - ATL



Technical data:

Conveyor geared motor:	3.0 kW
Lowering/lifting geared motor:	3 x 1.1 kW
Length:	approx. 16.50 meters
Width:	approx. 3.45 meters
Height:	approx. 6.30 meters

The chain conveyor is activated only after it is positioned securely on the trailer to ensure that no dust accidentally slips into atmosphere.

Optional equipment:

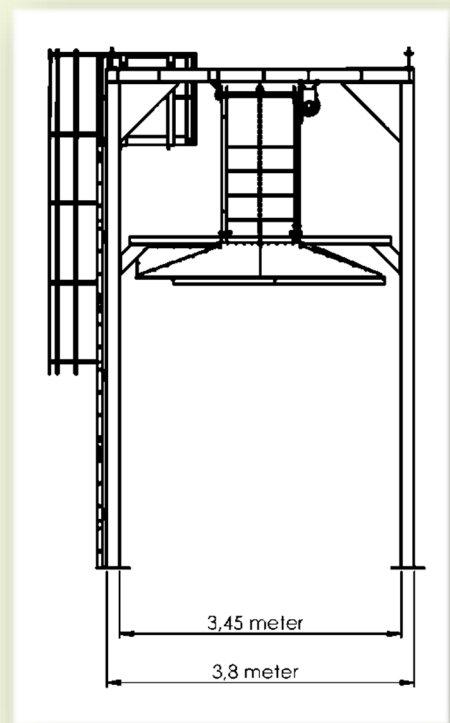
The truck loader can be equipped with heating in the geared motors and control panel for problem-free operation in extreme areas.

The truck loader can be delivered as ATEX approved for Zone 21. Please do not hesitate to contact us for advice on zone declaration etc.

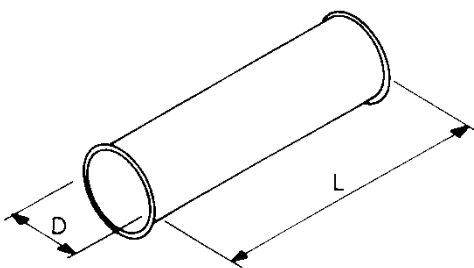
We offer service contracts, which can include data-logging and video monitoring.

Rubber plates for special containers are available. Call Aagaard, we are always ready to meet special demands.

We also offer a smaller version for container loading.



Pipes



Made in longitudinal, galvanised steelplate.

Technical Data:

D	Weight/kg		s mm
	L=1,0 m	L=2,0 m	
80	1,6	3,2	0,75
100	2,0	4,0	0,75
120	2,4	4,8	0,75
125	2,5	5,0	0,75
140	2,8	5,6	0,75
150	3,0	6,0	0,75
160	3,2	6,4	0,75
180	3,5	7,0	0,75
200	4,0	8,0	0,75
225	4,5	9,0	0,75
250	5,0	10,0	0,75
275	5,4	1,6	0,75
300	5,7	11,4	0,75
315	6,0	12,0	0,75
350	6,5	13,0	0,75
400	9	18,0	0,9
450	10,3	20,6	0,9
500	11,4	22,8	0,9
550	12,5	25,0	0,9
600	13,6	27,2	0,9
630	14,4	28,8	0,9
650	15	30,0	0,9
700	16,0	32,0	0,9
750	17,0	34,0	0,9
800	20	40,0	1,0
850	21,5	43,0	1,0
900	23,0	46,0	1,0
950	24,5	49,0	1,0
1000	26,0	52,0	1,0

Made for assambling with

- Pull rings (fb / fbb)
- Rapid lock pull rings (f.lyn.)
- Loose flanges (fb m. fl.)

Surface Treatment Plants - Spray Machines

Spray Booths - Drying Ovens - Finishing Line

S = thickness of plate

Smedevænget 14, DK-9560 Hadsund

Telefon +45 96 531 200 Fax +45 98 574 215 E-mail: mail@aagaard-systems.dk

OBEL-P GROUP
Aagaard A/S

Filter Systems - Dust Extraction Systems - Silo Systems

Bends

Galvanised
 $R = 1.5 \times D$
 Delivered in pressed version in dimensions up to 200 mm. By larger dimensions, they are made as segment bends.

Made for assambling with
 Pull rings (fb / fbb)
 Rapid lock pull rings (f.lyn.)
 loose flanges (fb m. fl.)

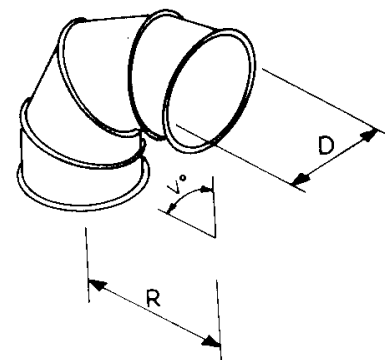
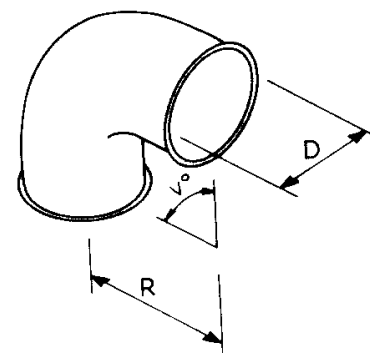
Technical Data:

Pressed:

D mm	Weight (Kg.)					w mm
	90°	60°	45°	30°	15°	
80	0,40	0,30	0,20	0,15	0,08	0,9
100	0,50	0,40	0,25	0,20	0,10	1,0
120	0,80	0,60	0,40	0,30	0,15	1,0
125	0,90	0,65	0,45	0,35	0,17	1,0
140	1,10	0,80	0,55	0,40	0,20	1,0
150	1,20	0,90	0,60	0,50	0,25	1,0
160	1,50	1,20	0,75	0,60	0,30	1,0
180	2,00	1,50	1,00	0,80	0,40	1,0
200	2,50	1,85	1,25	1,00	0,50	1,0

Segment:

D mm	Weight (Kg.)					s mm
	90°	60°	45°	30°	15°	
225	3,20	2,40	1,60	1,20	0,60	1,0
250	4,00	3,00	2,00	1,50	0,75	1,0
300	5,50	4,10	2,75	2,05	1,00	1,0
315	5,90	4,50	2,95	2,25	1,12	1,0
350	6,80	5,10	3,40	2,55	1,30	1,0
400	9,50	7,10	4,75	3,60	1,80	1,0
450	12,00	9,00	6,00	4,50	2,25	1,0
500	15,00	11,20	7,50	5,60	2,80	1,0
550	18,00	13,50	9,00	6,80	3,49	1,0
600	21,50	16,10	10,75	8,05	4,00	1,0
630	22,40	16,80	11,20	8,40	4,20	1,0
650	25,00	18,80	12,50	9,40	4,70	1,0
700	29,00	21,80	14,50	10,90	5,40	1,0
750	33,00	24,80	16,50	12,40	6,20	1,0
800	37,50	28,10	18,75	14,05	7,00	1,0
850	42,50	32,00	21,25	16,00	8,00	1,0
900	48,00	36,00	24,00	18,00	9,00	1,0
950	53,00	39,80	26,50	20,00	10,00	1,0
1000	59,00	44,00	29,5	22,00	11,00	1,0



S = thikness of plate

Surface Treatment Plants - Spray Machines

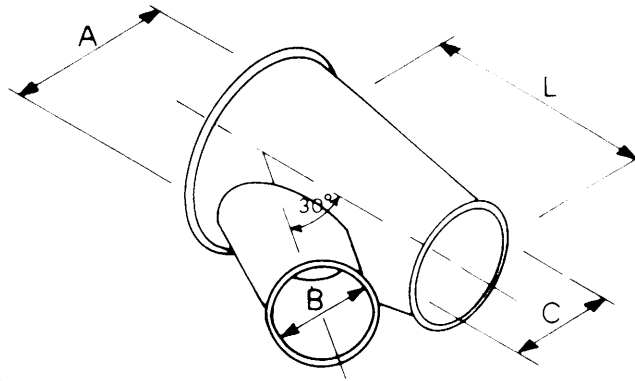
Spray Booths - Drying Ovens - Finishing Line

OBEL-P GROUP
 Aagaard A/S

Smedevænget 14, DK-9560 Hadsund
 Telefon +45 96 531 200 Fax +45 98 574 215 E-mail: mail@aagaard-systems.dk

Fans - Cyclones - Pipe Systems

Branch Pieces



Technical Data:

A mm	C mm	B mm	L mm	S mm	Kg.
80	80	80	320	0,75	0,8
100	100	100	360	0,75	1,2
120	120	120	400	0,75	1,5
125	125	125	410	0,75	1,6
140	140	140	440	0,75	1,8
150	150	150	460	0,75	2
160	160	160	480	0,75	2,2
180	180	180	520	0,75	2,5
200	200	200	560	0,75	3,5
225	225	225	610	0,75	4,3
250	250	250	670	0,75	5
275	275	275	715	0,75	5,3
300	300	300	780	0,75	5,5
315	315	315	810	0,75	6,3
350	350	350	880	0,75	7,5
400	400	400	970	0,75	8,5
450	450	450	1090	0,75	11
500	500	500	1190	0,75	12,2
550	550	550	1280	0,75	15,5
600	600	600	1410	0,75	17
630	630	630	1460	0,75	19
650	650	650	1490	0,75	24
700	700	700	1610	0,75	26
750	750	750	1710	1,00	32
800	800	800	1810	1,00	38
850	850	850	1910	1,00	44
900	900	900	2060	1,00	48
950	950	950	2160	1,00	52
1000	1000	1000	2260	1,00	58

Aagaard branch pieces are made from galvanized plate with a branch of 30°.

When ordering the customer must state the measures A - B - C .

Made for assambling with

Pull rings (fb / fbb)
 Rapid lock pull rings (f.lyn.)
 loose flanges (fb m. fl.)

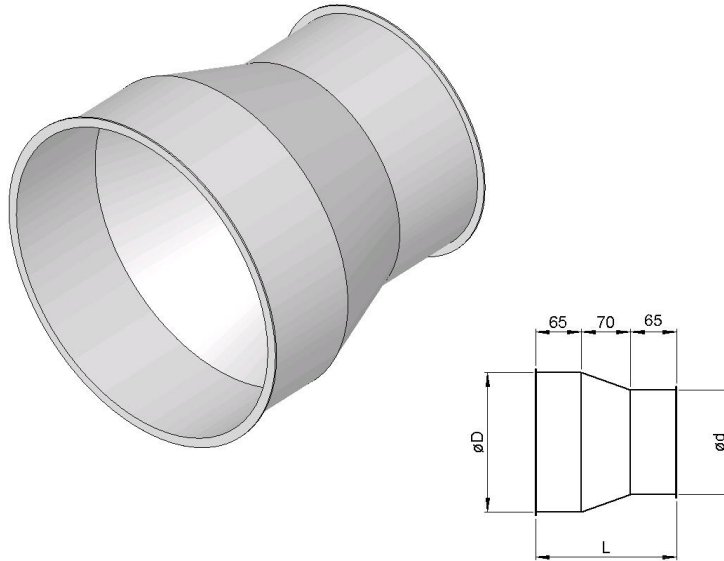
The branch B determines the length L of the branch piece.

The branch B must as a principal rule be smaller than A - C.

S = thickness of plate

Smedevænget 14, DK-9560 Hadsund
 Telefon +45 96 531 200 Fax +45 98 574 215 E-mail: mail@aagaard-systems.dk

Taper



Technical Data:

D	L (mm)	Part no.	D	L (mm)	Part no.
ø100	200	795000	ø450	200	795013
ø120	200	795001	ø500	200	795014
ø125	200	795002	ø550	200	795015
ø140	200	795003	ø600	200	795016
ø150	200	795004	ø650	200	795017
ø160	200	795005	ø700	200	795018
ø180	200	795006	ø750	200	795019
ø200	200	795007	ø800	200	795020
ø225	200	795008	ø850	200	795021
ø250	200	795009	ø900	200	795022
ø275	200	795024	ø1000	200	795023
ø300	200	795010			
ø315	200	795025			
ø350	200	795011			
ø400	200	795012			

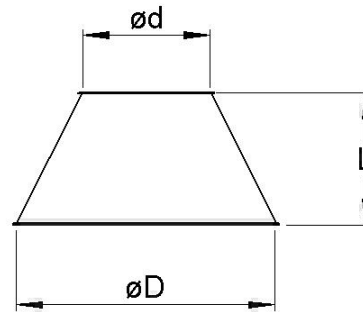
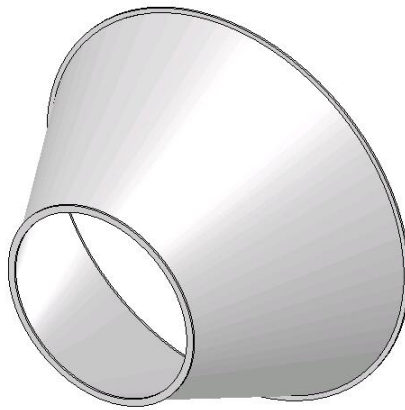
At a difference larger than 50 mm on D and d is L = 250 mm.

OBEL-P GROUP
Aagaard A/S

Smedevænget 14, DK-9560 Hadsund
Telefon +45 96 531 200 Fax +45 98 574 215 E-mail: mail@aagaard-systems.dk

Fans - Cyclones - Pipe Systems

Cone



Technical Data:

D	L (mm)	Pos.	Part No.
ø100	100	1	768000
ø120	100	1	768166
ø125	100	1	768001
ø140	100	1	768002
ø150	100	1	768003
ø160	100	1	768144
ø180	100	1	768004
ø200	100	1	768005
ø225	100	1	768006
ø250	100	1	768007
ø275	100	1	768168
ø300	100	1	768008
ø315	100	1	768169
ø350	100	1	768009
ø400	100	1	768010

D	L (mm)	Pos.	Part No.
ø450	150	2	768011
ø500	150	2	768012
ø550	150	2	768013
ø600	150	2	768014
ø650	150	2	768015
ø700	150	2	768016
ø750	150	2	768017
ø800	150	2	768018
ø850	150	2	768019
ø900	150	2	768020
ø1000	150	2	768021

Pos. 1: At difference larger than 50 mm on **D** and **d** L= 150 mm

Pos. 2: At difference larger than 50 mm on **D** and **d** L= 200 mm

OBEL-P GROUP
Aagaard A/S

Smedevænget 14, DK-9560 Hadsund
Telefon +45 96 531 200 Fax +45 98 574 215 E-mail: mail@aagaard-systems.dk

Sliding damper ***Type Manual and Automatic (pneumatic)***

Aagaard Sliding damper is supplied either as a manual or automatic Sliding steamer. Both dampers are made of 2mm galvanized plate with seal for silent and dust-free operation.

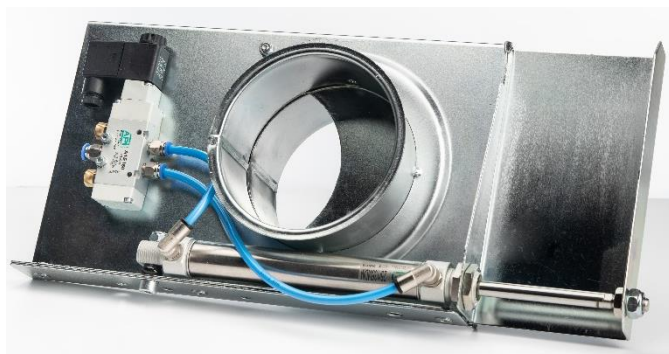
Manual

The manual dampers are used in small installations with low open/close frequency and for the adjustment of installations.

Automatic

The automatic dampers are equipped with pneumatic cylinder for frequent opening by automatic systems.

Using automatic sliding dampers saves up to 35% energy on the fan's power use. The damper opens/closes at the same time as the machine is started/switched off, or the damper is controlled by means of the item sensor, that opens/closes the damper when items pass through the machine.

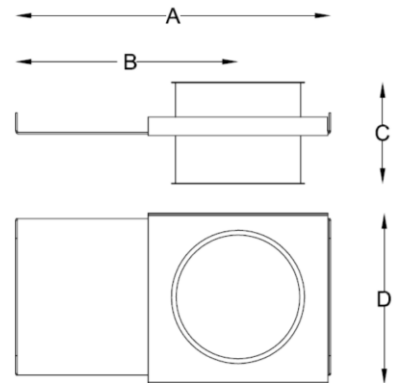


HIGH-END DUST HANDLING SOLUTIONS & SURFACE TREATMENT

FILTERS - FANS - DUCTING - SILOS - OUTFEEDERS - CONVEYERS - TRUCKLOADERS - CYCLONES - FINISHING LINES

Sliding damper

Manual

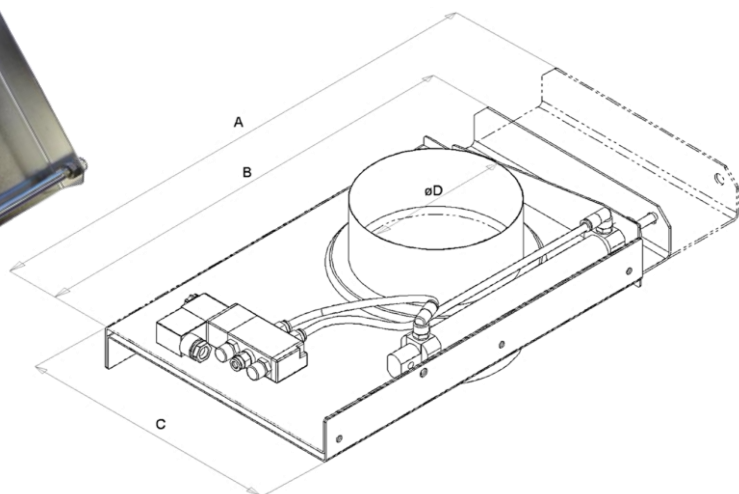


Ø [mm]	A [mm]	B [mm]	C [mm]	D [mm]	Weight [kg]	Item No.
80	275	183	128	157	2,7	830309
100	315	213	128	177	3	830310
120	365	250	128	202	3,6	830344
125	365	250	128	202	3,6	830311
140	409	281	128	227	4,2	830312
150	409	281	128	227	4,5	830313
160	435	303	128	237	4,7	830314
180	515	340	128	277	5,1	830315
200	515	340	128	277	5,6	830316
225	595	442	165	370	10,2	830317
250	595	442	165	370	12,2	830318
275	717	510	165	425	18,1	830319
300	717	510	165	425	18,1	830320
315	745	536	165	432	19	830321
350	815	585	165	470	22,5	830322
400	915	664	165	517	26,1	830323

Standard in f.b. execution for pull-ring options.

Sliding damper

Automatic



Ø [mm]	A [mm]	B [mm]	C [mm]	D [mm]	Weight [kg]	Item No.
80	338	223	157	125	3	830326
100	398	263	177	125	3,3	830327
120	475	314	202	125	4	830328
125	475	314	202	125	4	830329
140	548	363	227	125	5	830330
150	548	363	227	125	5	830331
160	574	383	237	125	5,2	830332
180	699	463	277	125	6,2	830333
200	699	463	277	125	6,2	830334
225	847	562	347	165	11,3	830335
250	849	562	371	165	13,5	830336
275	1050	692	422	165		830337
300	1050	692	422	165	20,1	830338
315	1050	692	422	165	21,1	830339
350	1160	763	472	165	25	830340
400	1310	863	522	165	27,4	830341
450	1192	980	623	250	60	830342
500	1644	1082	673	250	66,7	830343

Standard in f.b. execution. 24 Vdc – 230Vac on request.
Two pneumatic cylinders are mounted on Ø180 and up.

HIGH-END DUST HANDLING SOLUTIONS & SURFACE TREATMENT

FILTERS - FANS - DUCTING - SILOS - OUTFEEDERS - CONVEYERS - TRUCKLOADERS - CYCLONES - FINISHING LINES

Throttle Valves

Galvanized



The throttle valves are supplied with handle and fixing bolt for adjustment of the quantity of air.

Technical Data:

D mm	Lmm	Manual	Automatic
		Part No.	Part No.
80	250	830030	830130
100	250	830031	830131
120	250	830032	830132
125	250	830033	830133
140	250	830034	830134
150	250	830035	830135
160	250	830036	830136
180	250	830037	830137
200	300	830038	830138
225	300	830039	830139
250	300	830040	830140
275	300	830048	830144
300	300	830041	830141
315	300	830047	830145
350	300	830042	830142
400	500	830043	830143
450	500	830044	830146
500	500	830045	830147
550	500	830046	830148
600	500	830049	830149
630	500	830100	830150
710	500	830101	830151

Thickness of plate 0.75 mm.

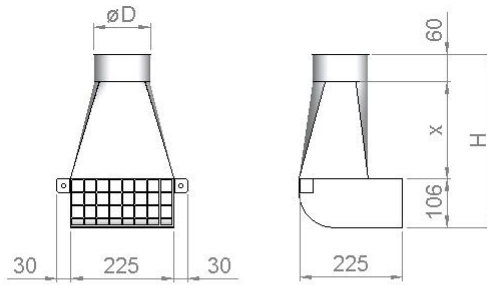
Thickness of valve 1.25 mm.

OBEL-P GROUP
Aagaard A/S

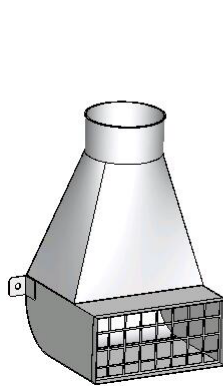
Smedevænget 14, DK-9560 Hadsund

Telefon +45 96 531 200 Fax +45 98 574 215 E-mail: mail@aagaard-systems.dk

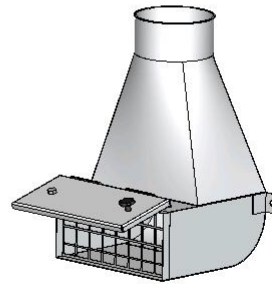
Sweep-up with Grill



With grill



With flap and grill



Technical Data:

Sweep-up with grill

Type	Ød	X	H	Part no.
ø100	100	200	366	540150
ø120	120	210	376	540151
ø140	140	230	396	540152
ø150	150	230	396	540153
ø180	180	230	396	540154

Technical Data:

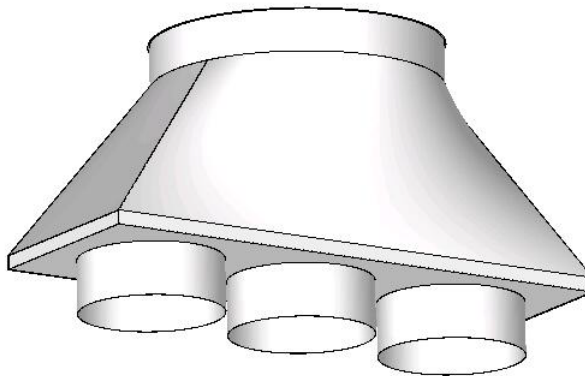
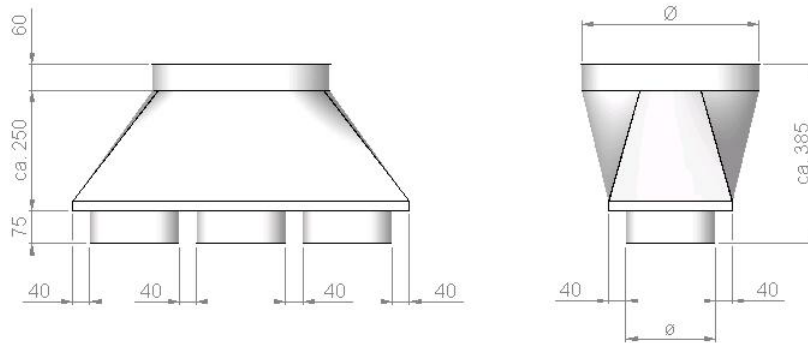
Sweep-up with flap and grill

Type	Ød	X	H	Part no.
ø100	100	200	366	540100
ø120	120	210	376	540101
ø140	140	210	396	540102
ø150	150	230	396	540103
ø180	180		396	540104

OBEL-P GROUP
Aagaard A/S

Smedevænget 14, DK-9560 Hadsund
Telefon +45 96 531 200 Fax +45 98 574 215 E-mail: mail@aagaard-systems.dk

Suction Unit



Technical Data:

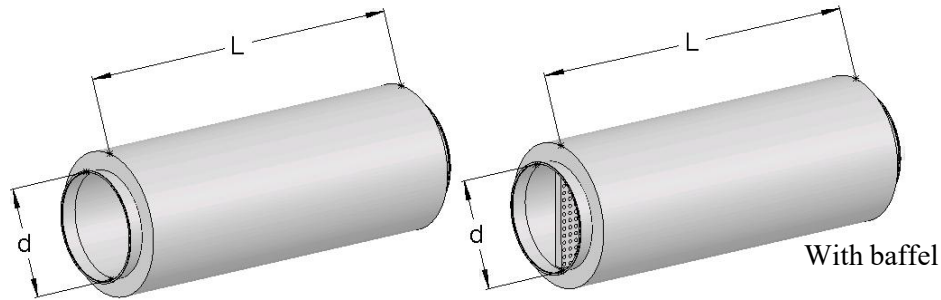
Type	ØD	Number of sockets Ø	Part No.
I	Ø80 - Ø500	1 - 3	540203
II	Ø80 - Ø501	4 - 6	540204
III	Ø80 - Ø502	7	540206

OBEL-P GROUP
Aagaard A/S

Smedevænget 14, DK-9560 Hadsund
Telefon +45 96 531 200 Fax +45 98 574 215 E-mail: mail@aagaard-systems.dk

Fans - Cyclones - Pipe Systems

Silencers



Aagard's silencers are mounted on the in- and outleside of the fan for reduction of noise from fan and air in the pipesystem. The silencers are made with a 50 mm thick insulating cap, encircled by a 1 mm galvanised steel plate.

By putting on 1 m silencer the following damping is achieved:
 Directly driven fan 14 - 18 dba
 Belt diven fan: 10 - 15 dba

Technical Data:

1 metre				2 metre			
d	Item no.	d	Item no.	d	Item no..	d	Item no.
ø100	530080	ø400	530088	ø200	530102	ø600	530112
ø120	530093	ø450	530089	ø225	530103	ø630	530117
ø125	530094	ø500	530090	ø250	530104	ø650	530118
ø140	530115	ø550	530091	ø275	530114	ø700	530119
ø150	530081	ø630	530092	ø300	530105	ø710	530127
ø160	530116	ø650	530097	ø315	530106	ø750	530120
ø180	530095	ø700	530098	ø350	530107	ø800	530121
ø200	530082	ø710	530122	ø400	530108	ø850	530128
ø225	530083	ø750	530099	ø450	530109	ø900	530129
ø250	530084	ø800	530100	ø500	530110	ø950	430130
ø275	530113	ø850	530123	ø550	530111	ø1000	530131
ø300	530085	ø900	530124				
ø315	530086	ø950	530125				
ø350	530087	ø1000	530126				

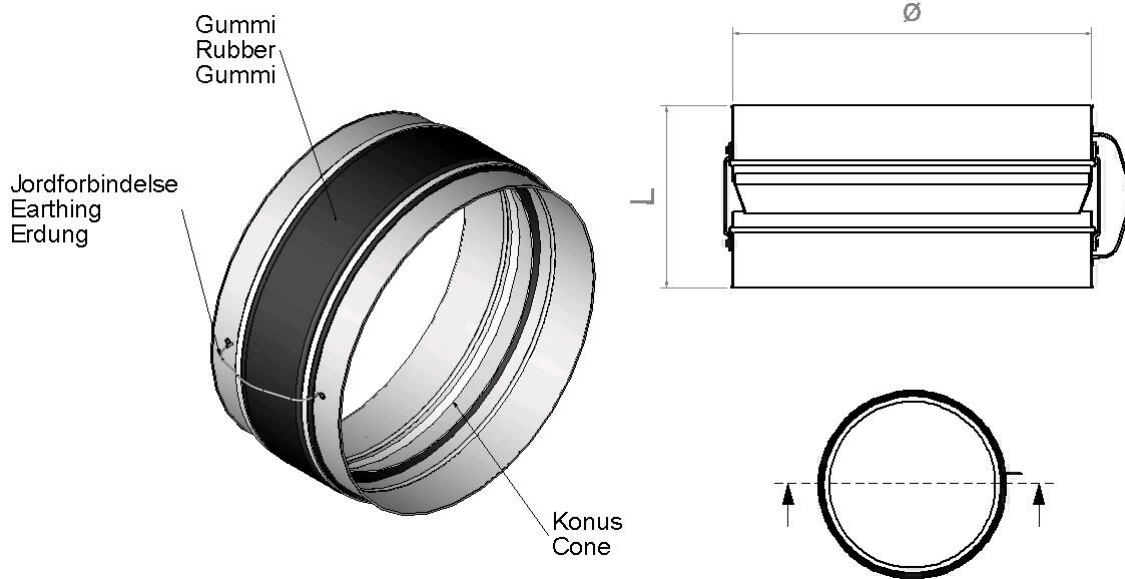
Made for assembling with:

Pull rings: (fb / fbb)
 Rapid lock pull ring (f.lyn.)
 Welded-on flanges (m.fl.)
 Spiroduct (sp.)

OBEL-P GROUP
 Aagaard A/S

Smedevænget 14, DK-9560 Hadsund
 Telefon +45 96 531 200 Fax +45 98 574 215 E-mail: mail@aagaard-systems.dk

Flexible Connection



Technical Data:

Type	L	Rubber	Part No.	Type	L	Rubber	Part No.
ø200	300	3x150	530200	ø600	300	3x150	530210
ø225	300	3x150	530224	ø630	300	3x150	530211
ø250	300	3x150	530201	ø650	300	3x150	530212
ø275	300	3x150	530223	ø700	300	3x150	530213
ø300	300	3x150	530202	ø710	300	3x150	530214
ø315	300	3x150	530203	ø750	300	3x150	530215
ø350	300	3x150	530204	ø800	300	3x150	530216
ø355	300	3x150	530205	ø850	300	3x150	530217
ø400	300	3x150	530206	ø900	300	3x150	530218
ø450	300	3x150	530207	ø950	300	3x150	530219
ø500	300	3x150	530208	ø1000	300	3x150	530220
ø550	300	3x150	530209				

Finishing Line - Spray Machines

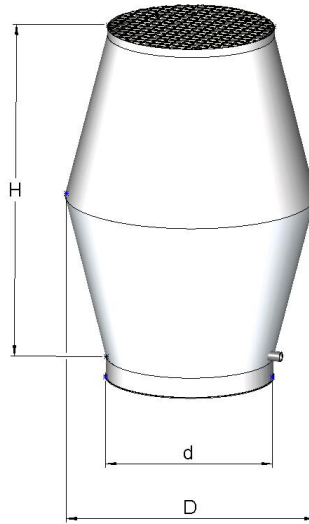
Spray Booths - Drying Ovens - Surface Treatment Plants

OBEL-P GROUP
Aagaard A/S

Smedevænget 14, DK-9560 Hadsund
Telefon +45 96 531 200 Fax +45 98 574 215 E-Mail: mail@aagaard-systems.dk

Fans- Cyklons - Pipesystems

Jet Cap



Made for assambling with

Pull rings (fb / fbb)
 Loose flanges (fb m. fl.)
 Spirorør (sp.)

Finishing Line - Spray Machines

Technical Data:

Fb			
d	D	H	Part No.
100	180	260	540315
150	240	400	540316
160	240	400	540314
180	300	400	540471
200	300	470	540300
225	370	470	540312
250	370	550	540301
275	450	550	540313
300	450	650	540302
315	450	650	540310
350	550	760	540303
400	600	850	540304
450	650	1000	540305
500	750	1050	540306
550	850	1150	540307
600	900	1250	540308
630	950	1300	540311
650	950	1300	540309

Flange			
d	D	H	Part No.
200	300	470	540350
225	370	470	540368
250	370	550	540351
275	450	550	540369
300	450	650	540352
315	450	650	540366
350	550	760	540353
400	600	850	540354
450	675	1000	540355
500	750	1050	540356
550	850	1150	540357
600	900	1250	540358
630	950	1300	540367
650	950	1300	540359
700	1200	1500	540360
750	1200	1500	540361
800	1200	1500	540362
850	1300	1500	540363
900	1350	1800	540364
1000	1500	2000	540365

SP			
d	D	H	Part No.
200	300	470	540600
250	370	550	540601
315	450	650	540602
355	550	760	540603
400	600	850	540604
500	750	1050	540605
560	840	1150	540606
630	950	1300	540607
710	1050	1500	540608
800	1200	1500	540609
900	1350	1800	640610
1000	1500	2000	540611

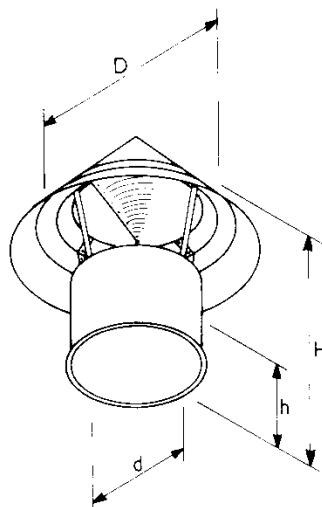
Spray Booths - Drying Ovens - Surface Treatment Plants

OBEL-P GROUP
 Aagaard A/S

Smedevænget 14, DK-9560 Hadsund
 Telefon +45 96 531 200 Fax +45 98 574 215 E-mail: mail@agaard-systems.dk

Filter Systems - Dust Extraction Systems - Silo Systems

Rain Cap



Technical Data:

Rain cap fb.							Rain cap, with flange						
d	D	H	h	S	Weight	Part no.	d	D	H	h	S	Weight	Part no.
mm	mm	mm	mm	mm	Kg		mm	mm	mm	mm	mm	kg	
200	450	420	115	0,90	3,40	540400	200	450	420	115	0,90	4,10	540450
225	475	425	115	0,90	4,70	540419	225	475	425	115	0,90	5,60	540469
250	500	430	115	0,90	5,00	540401	250	500	430	115	0,90	5,85	540451
275	500	430	115	0,90	5,00	540420	275	500	430	115	0,90	5,90	540470
300	500	435	115	0,90	5,10	540402	300	500	435	115	0,90	6,90	540452
315	650	440	115	0,90	5,10	540417	315	650	440	115	0,90	7,00	540467
350	650	440	115	0,90	5,20	540403	350	650	440	115	0,90	7,11	540453
400	750	450	115	0,90	5,36	540404	400	750	450	115	0,90	7,44	540454
450	750	455	115	0,90	6,00	540405	450	750	455	115	0,90	8,32	540455
500	950	460	115	0,90	8,20	540406	500	950	460	115	0,90	10,76	540456
550	950	470	115	0,90	8,80	540407	550	950	470	115	0,90	11,60	540457
600	950	475	115	0,90	9,25	540408	600	950	475	115	0,90	12,30	540458
630	950	475	115	0,90	9,75	540418	630	950	475	115	0,90	12,90	540468
650	950	480	115	0,90	10,20	540409	650	950	480	115	0,90	13,50	540459
700	1100	490	115	1,25	17,40	540410	700	1100	490	115	1,25	20,90	540460
750	1100	495	115	1,25	19,00	540411	750	1100	495	115	1,25	24,09	540461
800	1200	500	115	1,25	20,20	540412	800	1200	500	115	1,25	25,06	540462
850	1200	505	115	1,25	24,40	540413	850	1200	505	115	1,25	30,00	540463
900	1200	515	115	1,25	27,00	540414	900	1200	515	115	1,25	33,00	540464
950	1300	520	115	1,25	29,20	540415	950	1300	520	115	1,25	36,50	540465
1000	1400	525	115	1,25	31,40	540416	1000	1400	525	115	1,25	38,00	540466

S = Thickness of plate

OBEL-P GROUP
Aagaard A/S

Smedevænget 14, DK-9560 Hadsund
Telefon +45 96 531 200 Fax +45 98 574 215 E-mail: mail@aagaard-systems.dk

Finishing Line - Spray Machines

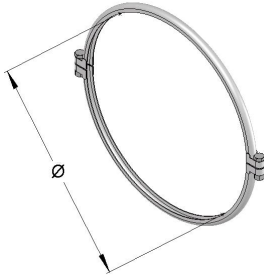
Spray Booths - Drying Ovens - Surface Treatment Plants

Fans - Cyclones - Pipe Systems

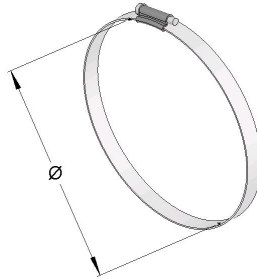
Filter Systems - Dust Extraction Systems - Silo Systems

Pull Rings

Electricity-galvanised



Narrow pull rings (fb)



Width (fbb)



Width of pull rings 50 mm

Technical Data:

Pull rings, narrow		Pull rings, width		Pull rings, "SCHNELL"	
Ø	Part no.	Ø	Part no.	Ø	Part no.
80	810001	100	810125	80	810250
100	810002	120	810126	100	810251
120	810003	125	810127	120	810252
125	810004	140	810128	125	810264
140	810005	150	810129	140	810253
150	810006	160	810129	150	810265
160	810007	180	810106	160	810254
180	810008	200	810107	180	810255
200	810009	225	810010	200	810256
225	810100	250	810011	225	810263
250	810101	275	810108	250	810258
275	810123	300	810012	275	810270
300	810102	315	810109	300	810266
315	810124	350	810013	315	810271
350	810122	400	810014	350	810261
400	810103	450	810015	400	810262
450	810104	500	810016	450	810267
500	810105	550	810115	500	810268
		600	810114		
		630	810117		
		650	810118		
		700	810119		
		750	810120		
		800	810121		
		850	810130		

Additional prices:

Type	Part No.
Extra bolt and nut for wide pull rings	20891

OBEL-P GROUP
Aagaard A/S

Smedevænget 14, DK-9560 Hadsund
Telefon +45 96 531 200 Fax +45 98 574 215 E-mail: mail@aagaard-systems.dk

Finishing Line - Spray Machines

Spray Booths - Drying Ovens - Surface Treatment Plants

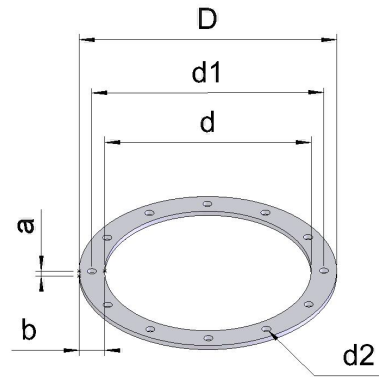
Fans - Cyclones - Pipe Systems

Filter Systems - Dust Extraction Systems - Silo Systems

Flanges

Aagaard flanges are made in rolled and welded flat iron.

Delivered with tolerance: Nominal diameter $d \pm 1$ mm



Technical Data:

Type	d mm	D mm	d ¹ mm	a mm	b mm	d ² mm	c	Bolt size	weight	Part Nio.
80	83	133	115	3	25	9	8	M 8	0,263	780001
100	103	153	135	3	25	9	8	M 8	0,313	780002
120	123	173	155	3	25	9	8	M 8	0,362	780003
125	128	178	160	3	25	9	8	M 8	0,378	780004
140	143	193	175	3	25	9	8	M 8	0,412	780029
150	153	203	185	5	25	9	8	M 8	0,545	780005
160	163	213	195	5	25	9	8	M 8	0,576	780028
180	183	233	215	5	25	9	8	M 8	0,638	780006
200	203	253	235	5	25	9	12	M 8	0,7	780007
225	228	278	260	5	25	9	12	M 8	0,75	780027
250	253	303	285	5	25	9	12	M 8	0,854	780008
275	280	330	310	5	25	9	12	M 8	0,954	780032
300	304	354	336	5	25	9	12	M 8	1,008	780009
315	319	369	351	6	25	9	12	M 8	1,258	780026
350	354	414	389	6	30	11	12	M 10	1,839	780010
400	404	464	439	6	30	11	16	M 10	2,08	780011
450	454	515	489	6	30	11	16	M 10	2,321	780012
500	505	565	540	6	30	11	16	M 10	2,561	780013
550	555	615	590	6	30	11	16	M 10	2,802	780014
600	605	665	640	6	30	11	16	M 10	3,043	780015
630	635	695	670	6	30	11	24	M 10	3,188	780025
650	655	715	690	6	30	11	24	M 10	3,284	780016
700	705	765	740	6	40	11	24	M 10	3,525	780030
710	715	765	760	6	40	11	24	M10	4,621	780017
750	755	835	800	6	40	11	24	M 10	5,085	780018
800	805	885	850	6	40	11	24	M 10	5,406	780019
850	855	935	900	6	40	11	24	M 10	5,727	780020
900	905	985	950	6	40	11	24	M 10	6,048	780021
950	955	1035	1000	6	40	11	24	M 10	6,37	780022
1000	1005	1085	1050	6	40	11	24	M 10	6,691	780023
1250	1255	1335	1300	6	40	11	28	M 10	6,85	780024

Surface Treatment Plants - Spray Machines

Spray Booths - Drying Ovens - Finishing Line

OBEL-P GROUP
Aagaard A/S

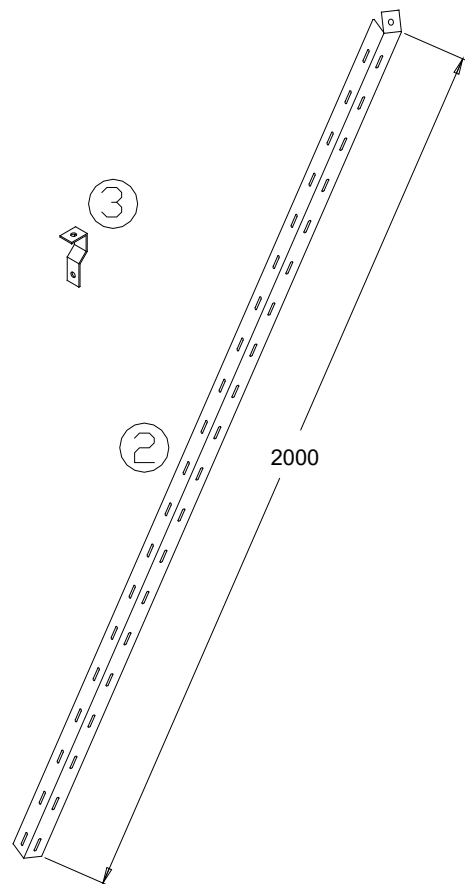
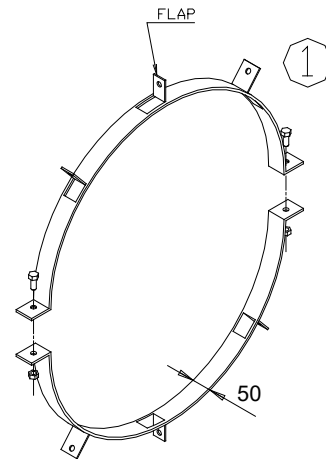
Smedevænget 14, DK-9560 Hadsund
Telefon +45 96 531 200 Fax +45 98 574 215 E-mail: mail@agaard-systems.dk

Fans - Cyclones - Pipe Systems

Pipe Straps

Technical Data:

Pos.	D	Number of flaps	Part No.
1	80	2x1	196A0002
	100	2x1	196A0003
	120	2x1	196A0004
	125	2x1	196A0005
	140	2x1	196A0006
	150	2x1	196A0007
	160	2x1	196A0008
	180	2x1	196A0009
	200	2x1	196A0010
	225	2x1	196A0011
	250	2x2	196A0012
	275	2x2	196A0013
	280	2x2	196A0014
	300	2x2	196A0015
	315	2x2	196A0016
	350	2x3	196A0017
	355	2x3	196A0018
	400	2x3	196A0019
	450	2x3	196A0020
	500	2x3	196A0021
	550	2x3	196A0022
	560	2x3	196A0023
	600	2x3	196A0024
	630	2x3	196A0025
	710	2x3	196A0026
	750	2x3	196A0027
	800	2x3	196A0028
	850	2x3	196A0029
	900	2x3	196A0030
	950	2x3	196A0031
	1000	2x3	196A0032
	2	Suspension bar	
3	Mounting fittings		196C0034



Surface Treatment Plants - Spray Machines

Spray Booths - Drying Ovens - Finishing Line

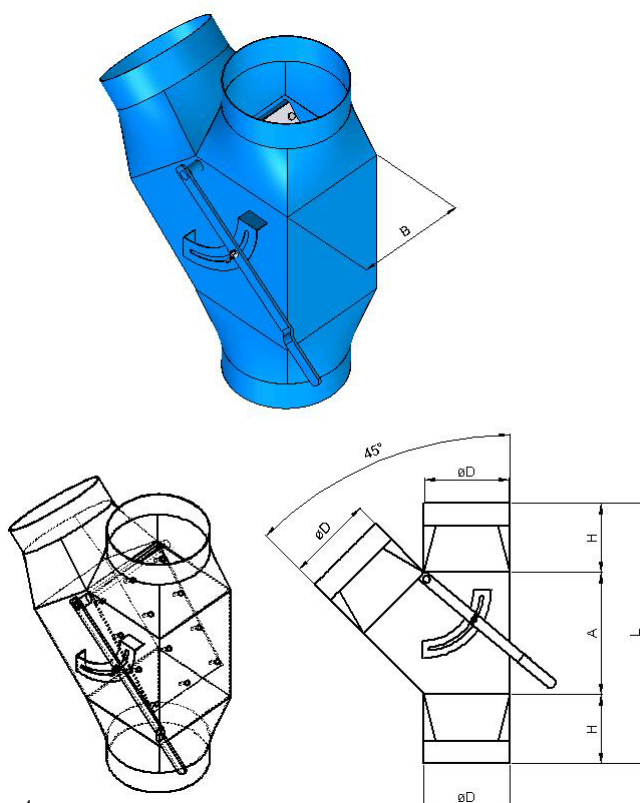
OBEL-P GROUP
Aagaard A/S

Smedevænget 14, DK-9560 Hadsund
Telefon +45 96 531 200 Fax +45 98 574 215 E-mail: mail@aagaard-systems.uk

Fans - Cyclones - Pipe Systems

Filter Systems - Dust Extraction Systems - Silo Systems

Diverter



Technical Data:

Type 1: Manual diverter

Type 2: With pneumatic cylinder excl. control valve

ØD	L	H	A	B	Type 1 Part no	Type 2 Part no
200	683	200	283	200	831003	831203
250	754	200	354	250	831004	831204
300	924	250	424	300	831005	831205
315	946	250	446	315	831014	831212
350	995	250	495	350	831006	831206
400	1166	300	566	400	831007	831207
450	1236	300	636	450	831008	831208
500	1407	350	707	500	831009	831209
550	1578	400	778	550	831010	831210
600	1649	400	849	600	831011	831211

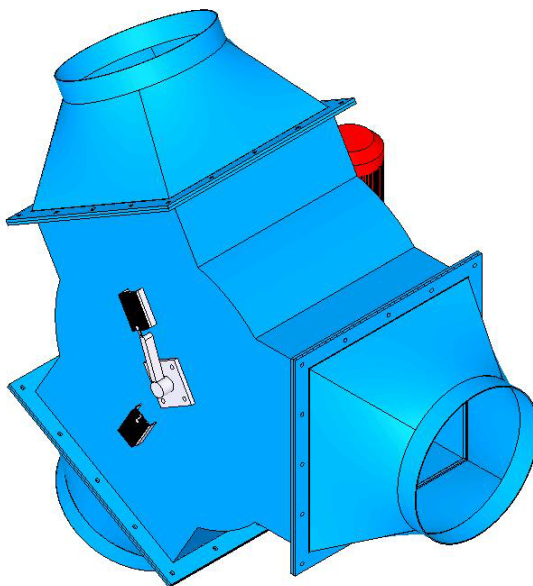
Subject	Dimension	Part no.
Control valve	Ø200 - 250	22090
Control valve	Ø300 - Ø600	22091

OBEL-P GROUP
Aagaard A/S

Smedevænget 14, DK-9560 Hadsund
Telefon +45 96 531 200 Fax +45 98 574 215 E-mail: mail@aagaard-systems.dk

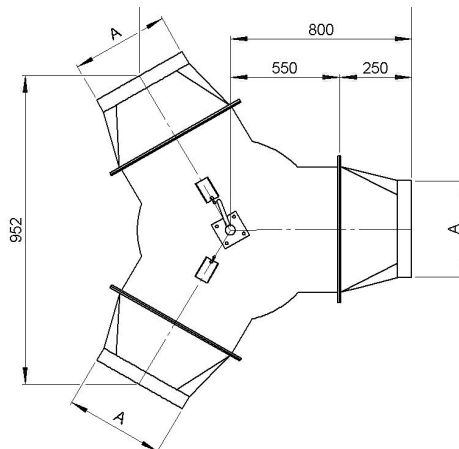
Fans - Cyclones - Pipe Systems

Diverter Automatic



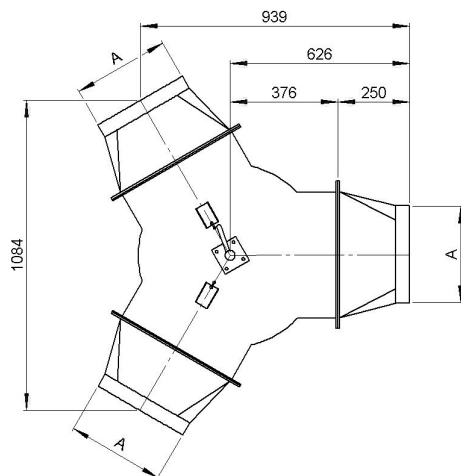
Technical Data:

A	Part no.
ø250	831104
ø300	831105
ø350	831106



Technical Data:

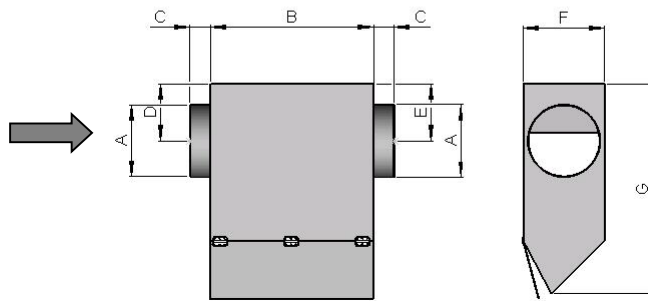
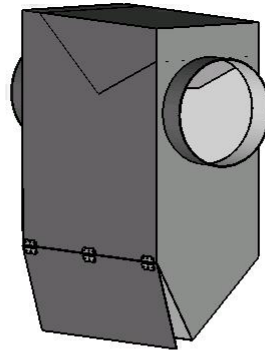
A	Part no.
ø400	831107
ø450	831108



Smedevænget 14, DK-9560 Hadsund
 Telefon +45 96 531 200 Fax +45 98 574 215 E-mail: mail@aagaard-systems.dk

OBEL-P GROUP
 Aagaard A/S

Drop out Box



Technical Data:

Type	A mm	B mm	C mm	D mm	E mm	F mm	G mm	Part no.
ø200	200	550	80	170	120	250	620	835002
ø225	225	600	100	200	150	300	773	835003
ø250	250	600	100	200	150	300	773	835004
ø275	275	750	100	250	180	325	996	835011
ø300	300	750	100	250	180	350	996	835005
ø350	350	800	100	280	210	400	996	835007
ø400	400	800	100	300	225	450	1000	835008
ø450	450	850	100	325	250	500	1100	835009
ø500	500	1000	100	380	310	550	1100	835010
ø550	550	1000	100	410	340	600	1250	835012
ø600	600	1000	100	440	370	650	1250	835013
ø630	630	1000	100	470	400	680	1250	835014
ø650	650		100	460	410	700	1300	835015
ø700	700	1250	100	500	430	750	1400	835016

OBEL-P GROUP
Aagaard A/S

Smedevænget 14, DK-9560 Hadsund
Telefon +45 96 531 200 Fax +45 98 574 215 E-mail: mail@aagaard-systems.dk

Fans - Cyclones - Pipe Systems

Sanding Table

Type AS 2100

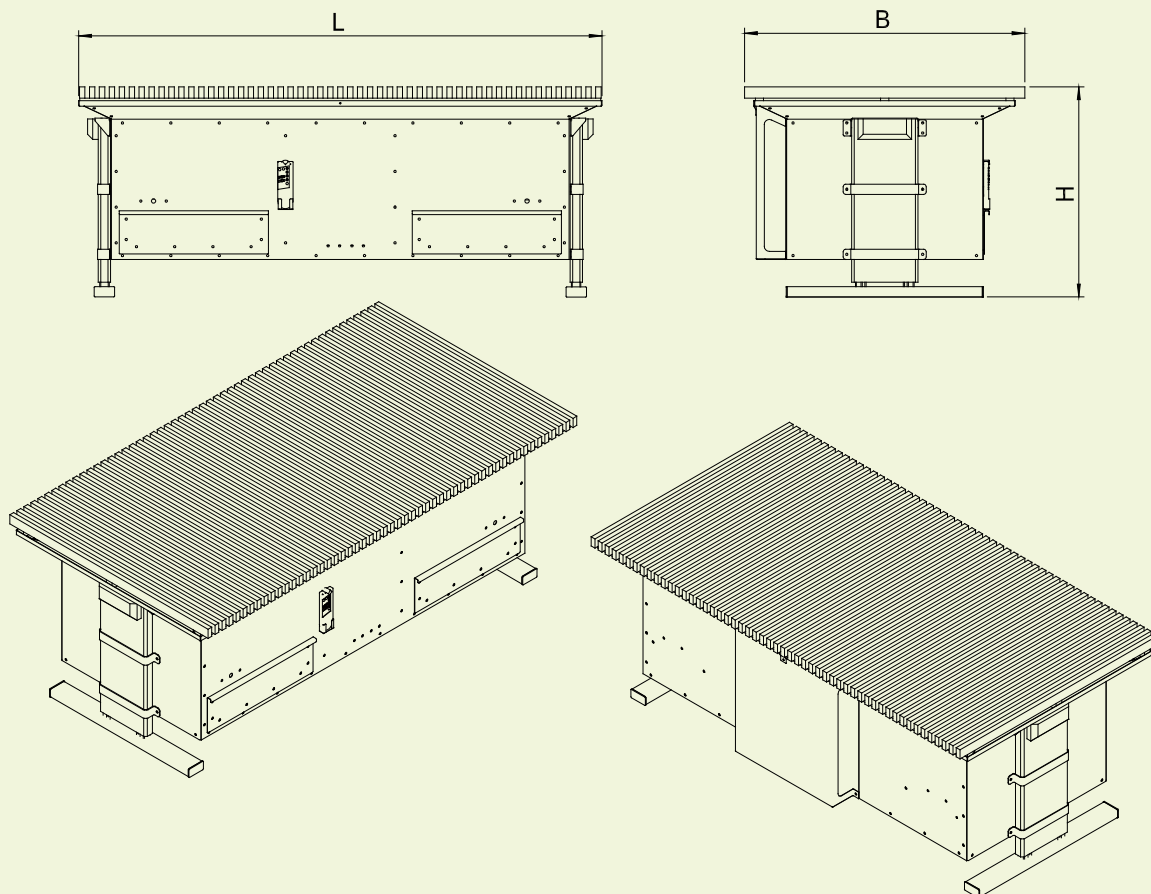


The Aagaard sanding table is a height adjustable table enabling meeting the legal requirements of being able to change working position and adapt the individual working place to the individual user. The sanding table can be installed anywhere and does not require connection to an extraction system as the table is fitted with an internal fan with explosion-proof motor. The outfeeding of the sanding dust takes place through a wooden grill at the top and the dust is filtered through internal, easily replaceable special filters. The air is filtered and re-cycled to the factory through a grill at the back. The dust is collected in pans for easy removal and emptying.

- Ergonomic height adjustable table
- Low-noise working place adapted to environment
- Dustless working room
- Cheap and easy to operate and to maintain
- No air or heat loss

TECHNICAL DATA

Sanding Table Type AS 2100

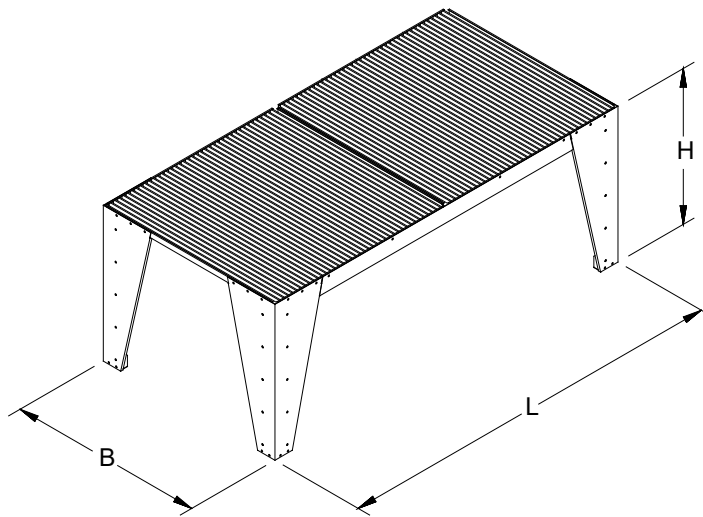
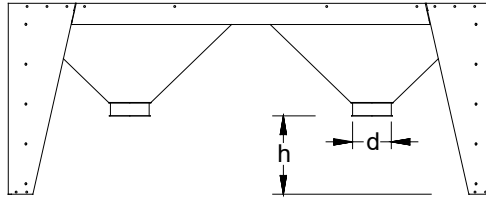


Type		L	W	H
Sanding table height adjustable table automatic	AS 2100	2054	1100	820 - 1200
Sanding table height adjustable table manual	AS 2100	2054	1100	750 - 1150

Type AS 2100	
Quantity of air	6,400 m ³ /h
Filter type	F 50 SL - ¼ - EU5
Filter surface area	5.6 m ²
Fireproofing class	F1

Sanding Table

Type: ASU



Finishing Line - Spray Machines

Spray Booths - Drying Ovens - Surface Treatment Plants

Technical Data:

Type	L	B	H	h	D	Air volume m ³ /h	Part No.
ASU	1100	1100	920	400	1xø180	2000	200300
ASU	2200	1100	920	400	2xø180	4000	200400
ASU	3300	1100	920	400	3xø180	6000	200500

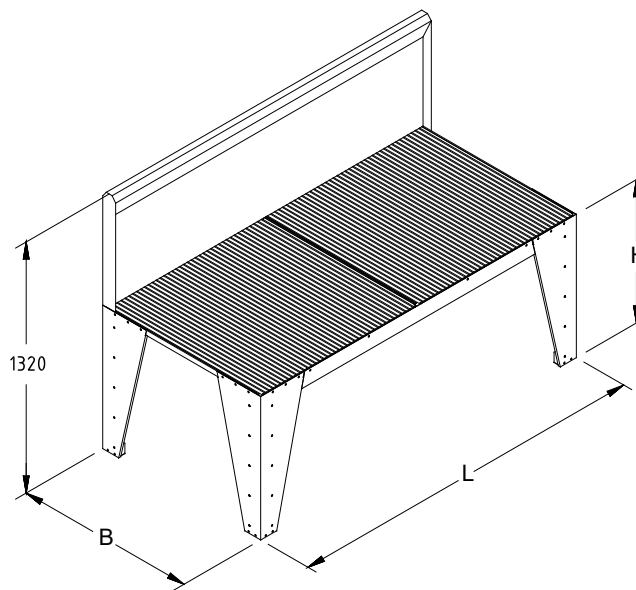
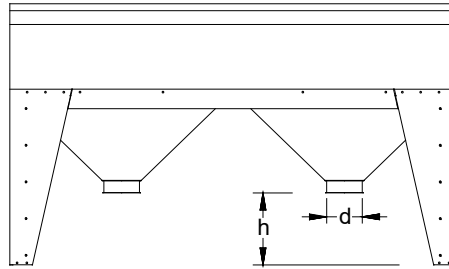
OBEL-P GROUP
Aagaard A/S

Smedevænget 14, DK-9560 Hadsund
Telefon +45 96 531 200 Fax +45 98 574 215 E-mail: mail@aagaard-systems.dk

Fans - Cyclones - Pipe Systems

Sanding Table

Type: ASUR



Finishing Line - Spray Machines

Spray Booths - Drying Ovens - Surface Treatment Plants

Technical Data:

Type	L	B	H	h	D	Air volume m ³ /h	Part No.
ASU	1100	1100	920	400	1xø180	2000	200300
ASU	2200	1100	920	400	2xø180	4000	200400
ASU	3300	1100	920	400	3xø180	6000	200500

OBEL-P GROUP
Aagaard A/S

Smedevænget 14, DK-9560 Hadsund
Telefon +45 96 531 200 Fax +45 98 574 215 E-mail: mail@aagaard-systems.dk

Fans - Cyclones - Pipe Systems

PAINT SYSTEMS

Wet painting with spray booths



Aagaard A/S project and supply complete paint systems for wet painting of every conceivable job. The system is constructed and adjusted according to the wishes and needs of the customer and supplied with the latest technology and energy saving measures, ensuring a good and reliable system in future. Furthermore, the systems meet the demands of all relevant authorities.

Quality - Know-how - Service

AAGAARD



FINNROSE

**A COMPETENT PARTNER
WITHIN AIR POLLUTION SYSTEMS AND COMPONENTS**

SYSTEM EXAMPLES



Spray booth with exhaust wall for painting of kitchen elements.



Spray painting of windows/doors.



Spray booth for edge painting of pinewood furniture.



Spray booth with replaceable baffle plates for linseed oil painting.



Flash off section with walls.



Sanding table for de-nib sanding.



Gun suspension with energy saving function.



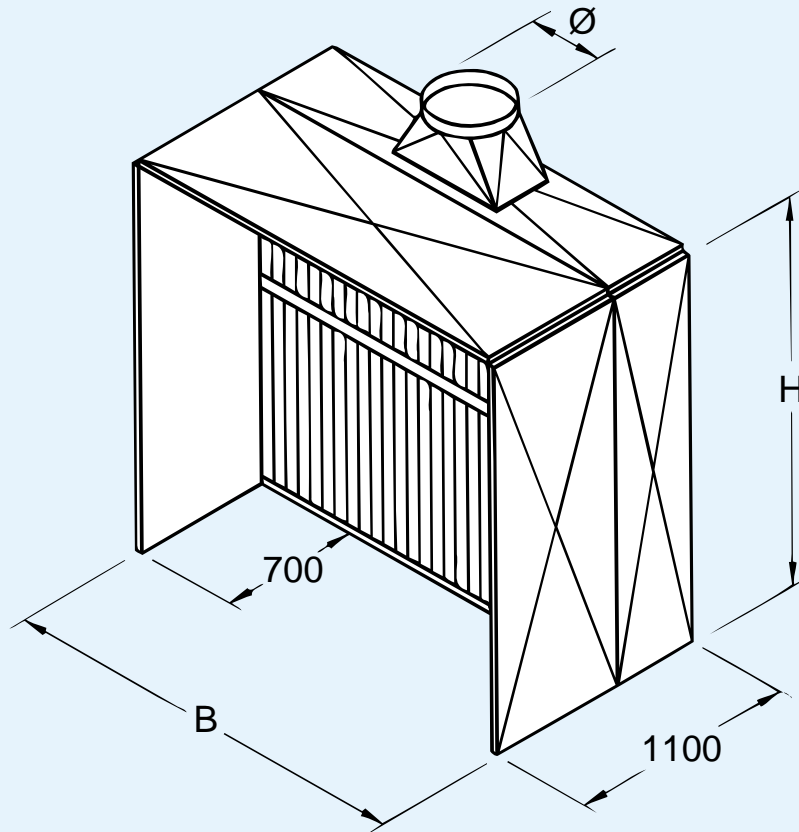
Workpiece stand with turntable.

Aagaard spray booths are manufactured in a range of standard sizes fitted with Andrea dry filter, but it is possible to fit them with an extra paint-stop pre-filter depending on the type of paint. The filter is easily replaceable and is supplied in 9.1 m length. The spray booth may be supplied with a top or rear exhaust connection depending on the physical conditions in the building.

Other filter types can be supplied according to your wishes. It is also possible to supply the spray booths with built-in explosion-proof lighting fixture. Furthermore, they are constructed in all special executions according to the wishes of the customer.

TECHNICAL DATA

Spray booth with dry filter

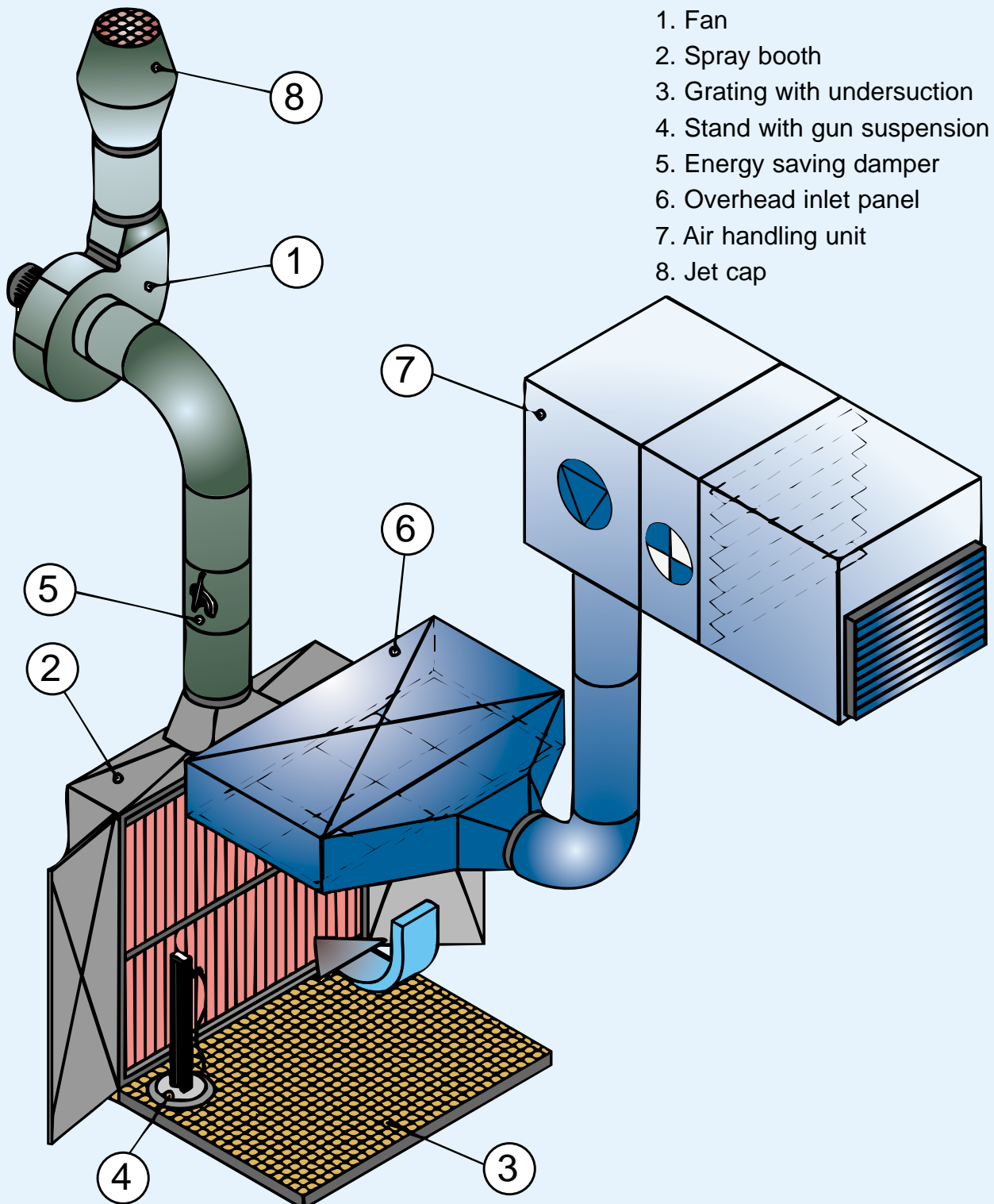


Type	B mm	Booth Number	Wall Number	HF mm	H mm	Air qty m ³ /hr	ø mm
ASB/V 1100 ASB/V 1100 H	1100	140000 140001	144100 144101	1900 2100	2000 2500	3800 4200	300 400
ASB/V 1800 ASB/V 1800 H	1800	141000 141001	144200 144201	1900 2100	2000 2500	6200 6800	400 400
ASB/V 2100 ASB/V 2100 H	2100	142000 142001	145001 145002	1900 2100	2000 2500	7200 8000	400 400
ASB/V 2800 ASB/V 2800 H	2800	143000 143001	146001 146002	1900 2100	2000 2500	9600 10600	500 500
ASB/V 3500 ASB/V 3500 H	3500	144000 144001	147001 147002	1900 2100	2000 2500	12000 13300	2x400 2x400
ASB/V 4200 ASB/V 4200 H	4200	140100 140101	148001 148002	1900 2100	2000 2500	14400 15900	2x500 2x500
ASB/V 4900 ASB/V 4900 H	4900	140200 140201	149001 149002	1900 2100	2000 2500	16800 18600	2x500 2x500

We also supply the spray booths as walls without the 700 mm cabin in front. Special measurements according to your wishes may also be supplied. The quantity of air corresponds to $v=0.5$ m/sec. in the front area of the spray booth.

SYSTEM EXAMPLE

Below is shown a typical system built up with spray booth and air handling unit with overhead inlet panel for heated fresh-air above the operator.



Quality - Know-how - Service

Aagaard A/S design, manufacture and install all types of pollution control systems and finishing lines for the wood-working industry.

If you would like additional information, advice or a quotation, please contact us. Remember, our know-how is at your service.

AAGAARD A/S

A/S reg. no. 249916
Smedevænget 14 . DK-9560 Hadsund
Phone +45 96 531 200
Telefax +45 98 57 42 15
mail@aagaard-systems.dk
www.aagaard-systems.com

Spray wall / booth.

ASV / ASB

Aagaards Spray Wall / Booth is made from galvanized sheetmetal.

The Wall is fitted with front-mounted dryfilters for easy replacement.

The Wall can also be delivered with extra prefilter hung in front of the dryfilter..



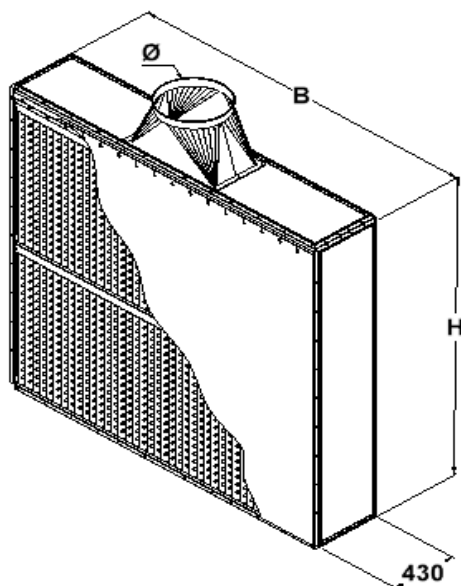
HIGH-END DUST HANDLING SOLUTIONS & SURFACE TREATMENT

FILTERS - FANS - DUCTING - SILOS - OUTFEEDERS - CONVEYERS - TRUCKLOADERS - CYCLONES - FINISHING LINES

ASV

Technical data:

The placement and shape of the outlet is made according to the size of the wall.



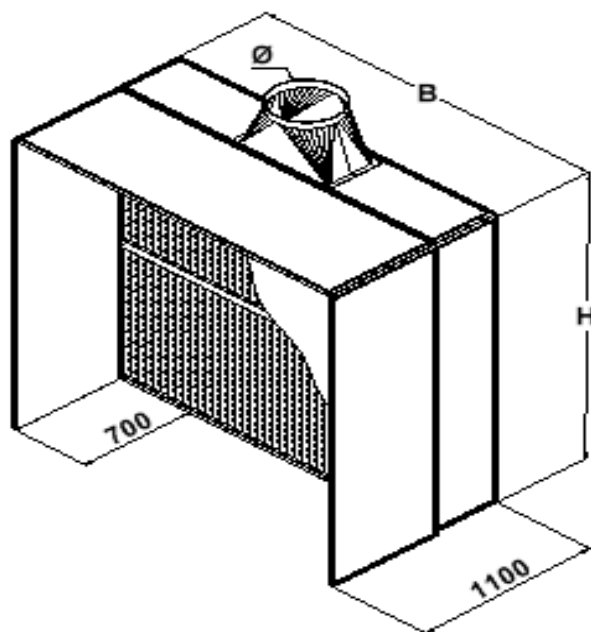
Type	WALL No. standard	WALL No. w/prefilter	B	H	Ø	m³/h
ASV 1100	144100	144110	1160	2000	300	3800
ASV 1100 H	144101	144111	1160	2500	400	4200
ASV 1800	144200	144210	1860	2000	400	6200
ASV 1800 H	144201	144211	1860	2500	400	6800
ASV 2100	145001	145011	2160	2000	400	7200
ASV 2100 H	145002	145012	2160	2500	400	8000
ASV 2800	146001	146011	2860	2000	500	9600
ASV 2800 H	146002	146012	2860	2500	500	10600
ASV 3500	147001	147011	3560	2000	2x400	12000
ASV 3500 H	147002	147012	3560	2500	2x400	13300
ASV 4200	148001	148011	4260	2000	2x500	14400
ASV 4200 H	148002	148012	4260	2500	2x500	15900
ASV 4900	149001	149011	4960	2000	2x500	16800
ASV 4900 H	149002	149012	4960	2500	2x500	18600

Spray booth.

ASB

Technical data:

The placement and shape of the outlet is made according to the size of the wall.



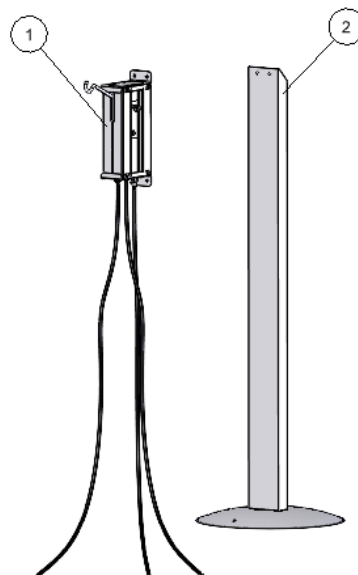
Type	BOOTH No. standard	BOOTH No. w/prefilter	B	H	Ø	m ³ /h
ASB 1100	140000	140002	1160	2000	300	3800
ASB 1100 H	140001	140003	1160	2500	400	4200
ASB 1800	141000	141010	1860	2000	400	6200
ASB 1800 H	141001	141011	1860	2500	400	6800
ASB 2100	142000	142010	2160	2000	400	7200
ASB 2100 H	142001	142011	2160	2500	400	8000
ASB 2800	143000	143010	2860	2000	500	9600
ASB 2800 H	143001	143011	2860	2500	500	10600
ASB 3500	144000	144010	3560	2000	2x400	12000
ASB 3500 H	144001	144011	3560	2500	2x400	13300
ASB 4200	140100	140110	4260	2000	2x500	14400
ASB 4200 H	140101	140111	4260	2500	2x500	15900
ASB 4900	140200	140210	4960	2000	2x500	16800
ASB 4900 H	140201	140211	4960	2500	2x500	18600

Options

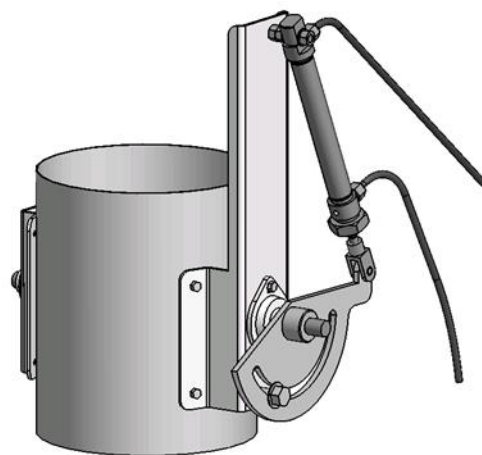
Energy saving damper with paint-gun activation.:

Automatic opening and closing of the suction on the wall/booth when the paint-gun is hung on the holder. All is controlled via compressed air..

Pos no.	Description	Item no.
1	Paint-gun holder	3-315010
2	Floor stand f/paint-gun holde	3-415014



Description	Item no.
Energy Saving Damper ø300 aut.	2-329077
Energy Saving Damper ø315 aut.	2-329078
Energy Saving Damper ø350 aut.	2-329079
Energy Saving Damper ø400 aut.	2-329080
Energy Saving Damper ø450 aut.	2-329081
Energy Saving Damper ø500 aut.	2-329082
Energy Saving Damper ø550 aut.	2-329083
Energy Saving Damper ø560 aut.	2-329087
Energy Saving Damper ø600 aut.	2-329084
Energy Saving Damper ø630 aut.	2-329088
Energy Saving Damper ø710 aut.	2-329082



Options

Pressure monitoring

With light and audible alarm
Battery backup.
230Vac CTS 1A relay output



Pressure monitoring

With display:
Possibility to monitor the state of the filter
Warning at 150Pa pressure drop.
Max. 250Pa.



Item No.	Description	
109941	Pressure monitoring	ES.-306-20
1389	Pressure transmitter w. display	24Vdc - 0-10Voutput

Spareparts

Prefilter Fiber-wool 60g/m²

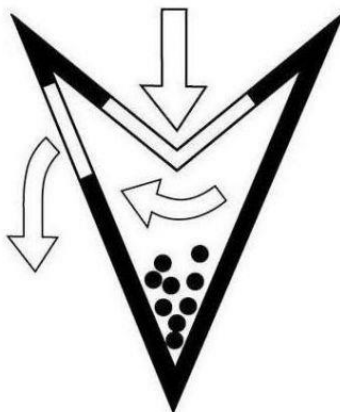
Roll of 100m. at 2,3m width.



Andreae dryfilter w=0,9m – L=9,2m

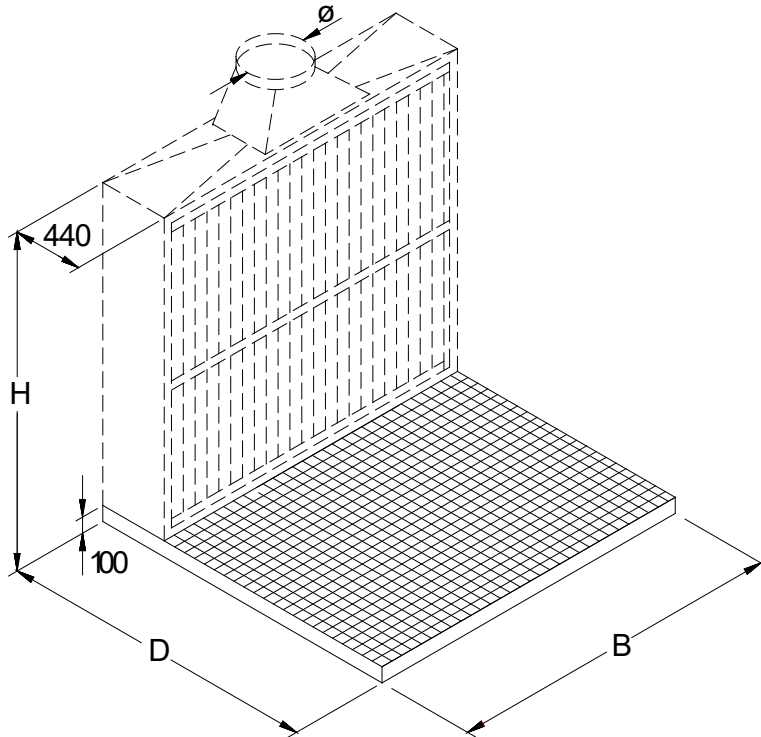
Recomended airspeed 0,5-1m/s. 20Pa. at 0,5m/s. To be changed at 150Pa pressuredrop. Max. 250Pa.

Optimum performance at 25 Pleats per meter.



Item No.	Description	
820034	Prefilter ASV	Roll -width 2,3m - L=100m
820001	Andreae dryfilter 0,9 - 9,2m	-
820011	Andreae dryfilter 0,5 - 9,2m	-

Grill and Extraction For Spray Booth/-Wall



The spray booth/wall is mounted on the grill extraction.

Technical Data:

Grill for type	B	D1	H	ø	Part No.
ASV/ASB 1100 (D)	1100	2000	2100	315 sp	140000-10
ASV/ASB 1100 H(D)			2600	400 sp	
ASV/ASB 1800 (D)	1800	2000	2100	400 sp	141000-10
ASV/ASB 1800 H(D)			2600	400 sp	
ASV/ASB 2100 (D)	2100	2000	2100	400 sp	142000-10
ASV/ASB 2100 H(D)			2600	400 sp	
ASV/ASB 2800 (D)	2800	2000	2100	500 sp	143000-10
ASV/ASB 2800 H(D)			2600	500sp	
ASV/ASB 3500 (D)	3500	2000	2100	2x400 sp	144000-10
ASV/ASB 3500 H(D)			2600	2x400 sp	
ASV/ASB 4200 (D)	4200	2000	2100	2x500 sp	145000-10
ASV/ASB 4200 H(D)			2600	2x500 sp	

OBEL-P GROUP
Aagaard A/S

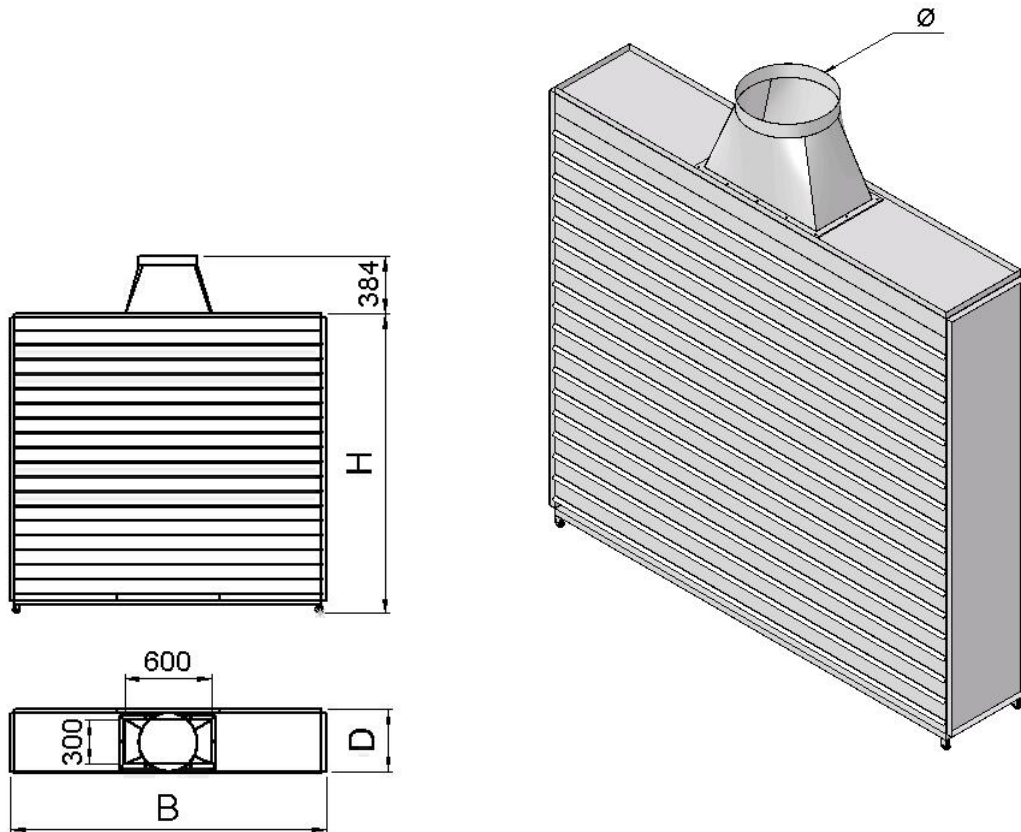
Smedevænget 14, DK-9560 Hadsund
Telefon +45 96 531 200 Fax +45 98 574 215 E-mail: mail@aagaard-systems.dk

Fans - Cyclones - Pipe Systems

Evaporation Panel

Type: AAP

Stationary / Moveable



Surface Treatment Plants - Spray Machines

Spray Booths - Drying Ovens - Finishing Line

Technical Data:

Type	B	D	H	Ø	Part no.
Stationary	mm	mm	mm	mm	
AAP 1100	1160	430	2000	300	140520
AAP 1800	1860	430	2000	400	140521
AAP 2100	2160	430	2000	400	140522
Moveable					
AAP 900 T	960	430	2050	300	140525
AAP1800 T	1860	430	2050	400	140526
AAP 2200 T	2260	430	2050	400	140527

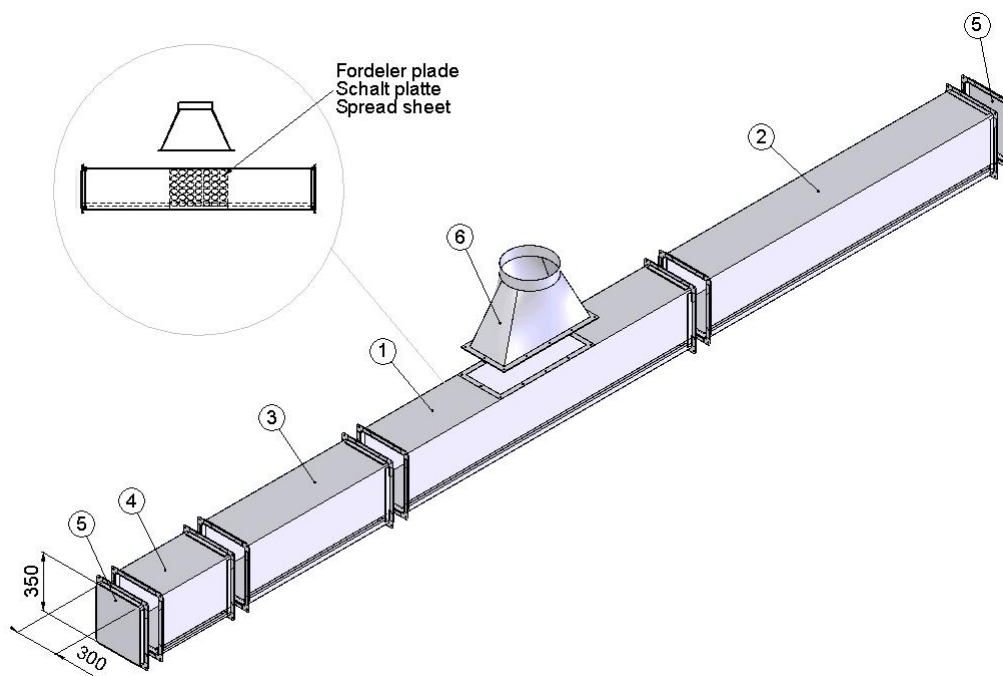
OBEL-P GROUP
Aagaard A/S

Smedevænget 14, DK-9560 Hadsund
Telefon +45 96 531 200 Fax +45 98 574 215 E-Mail: mail@aagaard-systems.dk

Fans - Cyclones - Pipe Systems

Exhaust Channel

Type: AAK



Technical Data:

Pos	Type	Dimensions	Part no.
1	Flue	L=2000	140535
2	Flue	L=2000	140536
3	Flue	L=1000	140537
4	Flue	L=500	140538
5	End bottom for flue	300x350	140539
6	Suction point incl. spread sheet	200x400/ø200 h=300	140540
6	Suction point incl. spread sheet	200x400/ø250 h=300	140541
6	Suction point incl. spread sheet	200x400/ø300 h=300	140542

Air renewal in evaporation room, according to technical directions 4.2.6.5g

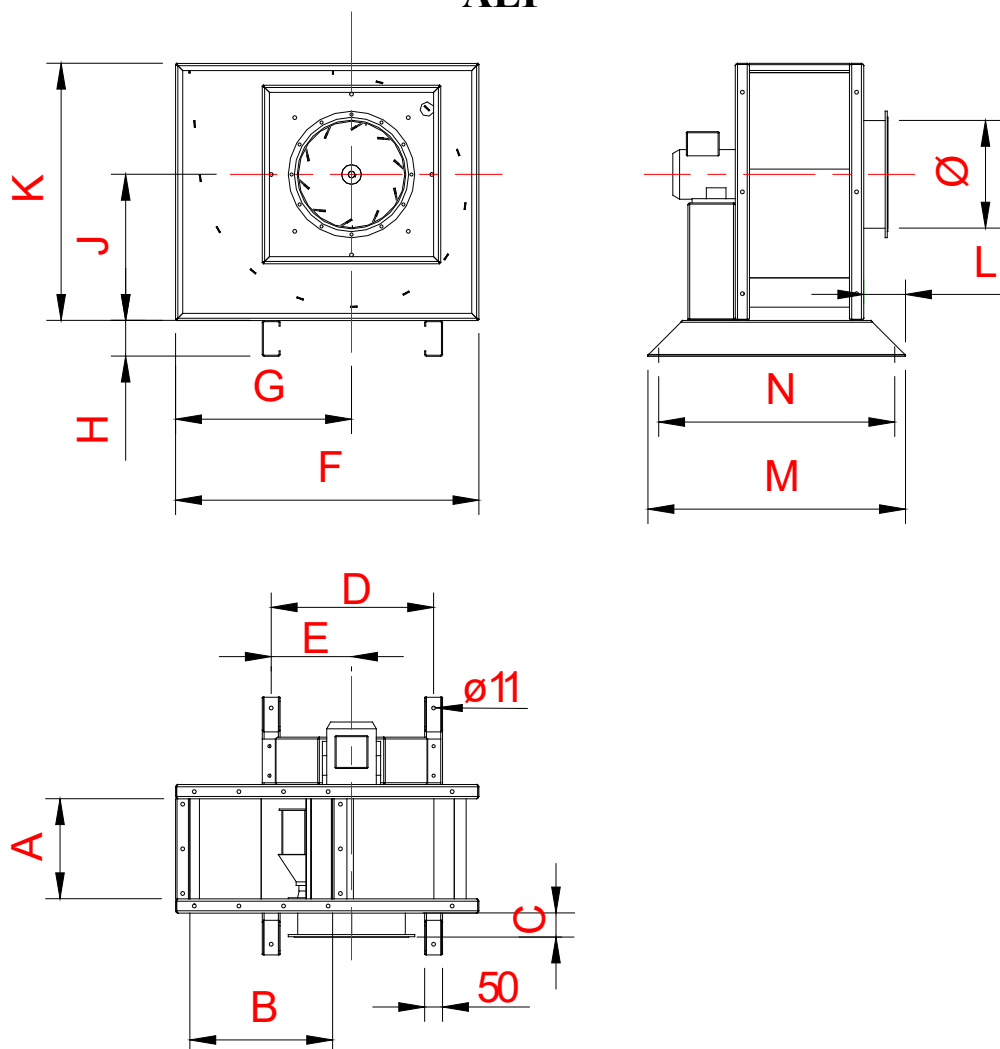
Room m ³	Air renewal per hour
Up to - 100	60 times
101 - 200	53 times
201 - 300	45 times
301 - 400	38 times
Over 400	30 times

OBEL-P GROUP
Aagaard A/S

Smedevænget 14, DK-9560 Hadsund
Telefon +45 96 531 200 Fax +45 98 574 215 E-mail: mail@aagaard-systems.dk

Fans - Cyclones - Pipe Systems

Centrifugal Fan ALF



Surface Treatment Plants - Spray Machines

Spray Booths - Drying Ovens - Finishing Line

Technical Data:

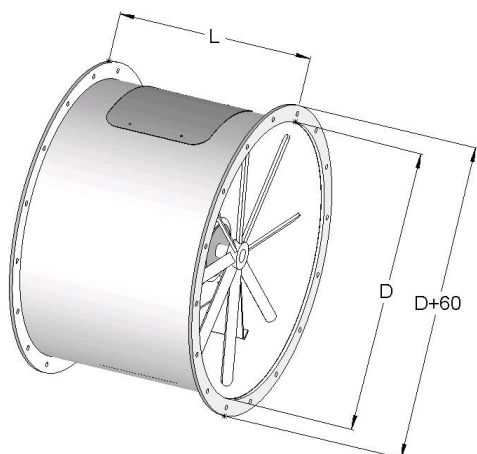
Type	m ³ /h	Pa	kw	A	B	C	D	E	F	G	H	J	K	L	M	N	ø	Kg	Part no.
ALF 30	3.000	400	0,55	280	400	67	455	225	850	493	100	409	720	117	722	662	ø300	105	109A0006
ALF 40	6.000	600	1,5	353	500	56	655	325	1050	613	100	520	900	117	841	781	ø350	152	109A0005
ALF 50	9.000	800	3,0	395	560	64	618	309	1115	640	100	670	1100	120	911	851	ø400	170	109A0001
ALF 56	12.000	800	4,00	395	560	63	618	309	1115	640	100	670	1100	120	911	851	ø400	190	109A0003
ALF 63	16.000	1000	7,50	445	630	57	730	365	1300	747	100	643	1125	117	1003	943	ø450	350	109A0007
ALF 71	20.000	1000	15,00	500	710	56	810	405	1460	836	100	715	1250	117	1186	1126	ø500	472	109A0004

OBEL-P GROUP
Aagaard A/S

Smedevænget 14, DK-9560 Hadsund
Telefon +45 96 531 200 Fax +45 98 574 215 E-mail: mail@aagaard-systems.dk

Fans - Cyclones - Pipe Systems

Axial fan

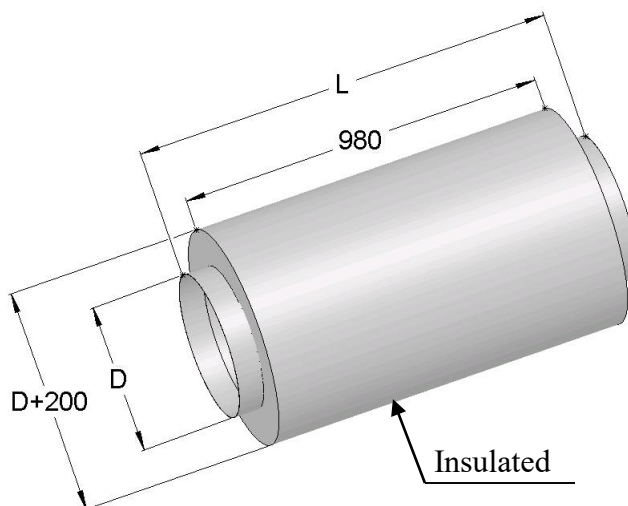


Type AAV

Technical Data:

D	Motor	r.p.m.	m ³ /h	L	Part no.
	kW				
ø400 f.b.	0,25 EExe	1400	4000	350	117400
ø400 f.b.	0,25 IP 55	1400	4.000	350	117500
ø500 m.fl.	0,75 IP 65	1400	6.000	312	117600
ø630 m.fl.	1,35 IP 65	1400	9.000	372	117700

Type FRVL



Technical Data:

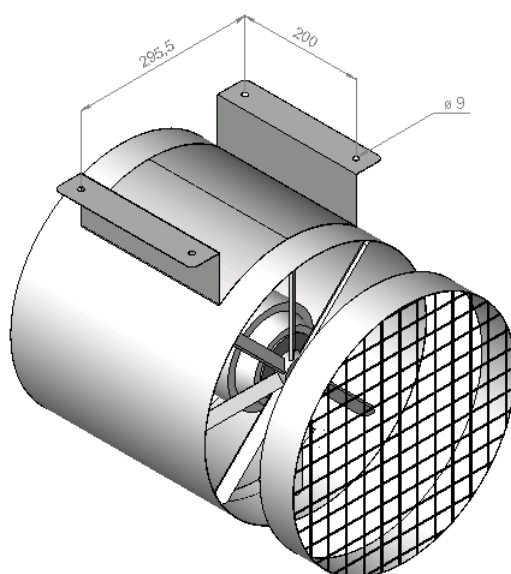
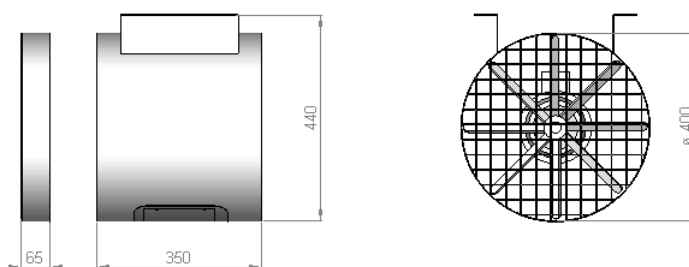
D	Motor	r.p.m.	m ³ /h	L	Part no.
	kW				
ø400 Eexe	1,1	2810	5.000	1.120	115100
ø500 EExe	4,6	2875	8.000	1.130	115104
ø630 IP 54	2,2	1400	10.000	1.130	115101
ø630 Eexe	10,0	2925	18.500	1.130	115111

OBEL-P GROUP
Aagaard A/S

Smedevænget 14, DK-9560 Hadsund
Telefon +45 96 531 200 Fax +45 98 574 215 E-mail: mail@aagaard-systems.dk

Circulating Fan

Type ACO 400



Finishing Line - Spray Machines

Spray Booths - Drying Ovens - Surface Treatment Plants

Technical Data:

	Specifikation	Part no.
Circulating fan	ACO 400	230003
Quantity of air	4000 m ³ /h	
mmWG:	9	
kW:	0.25	
rpm	1400	

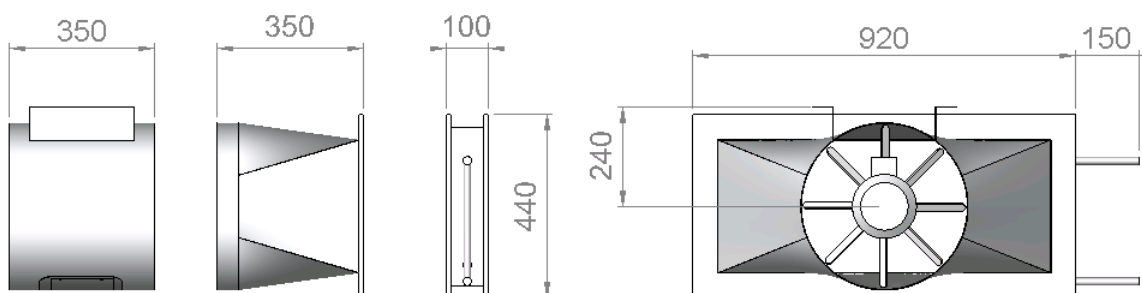
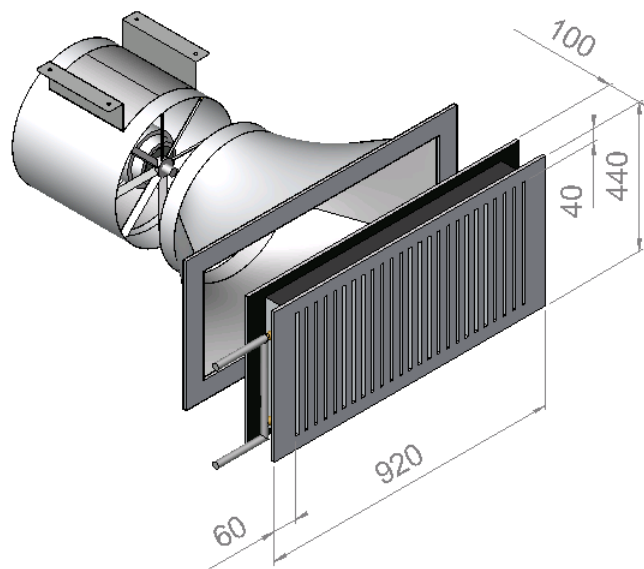
OBEL-P GROUP
Aagaard A/S

Smedevænget 14, DK-9560 Hadsund
Telefon +45 96 531 200 Fax +45 98 574 215 E-mail: mail@aagaard-systems.dk

Fans- Cyclones - Pipe Systems

Circulating Fan with Heat Battery

Type ACO 400V



Finishing Line - Spray Machines

Spray Booths - Drying Ovens - Surface Treatment Plants

Technical Data:

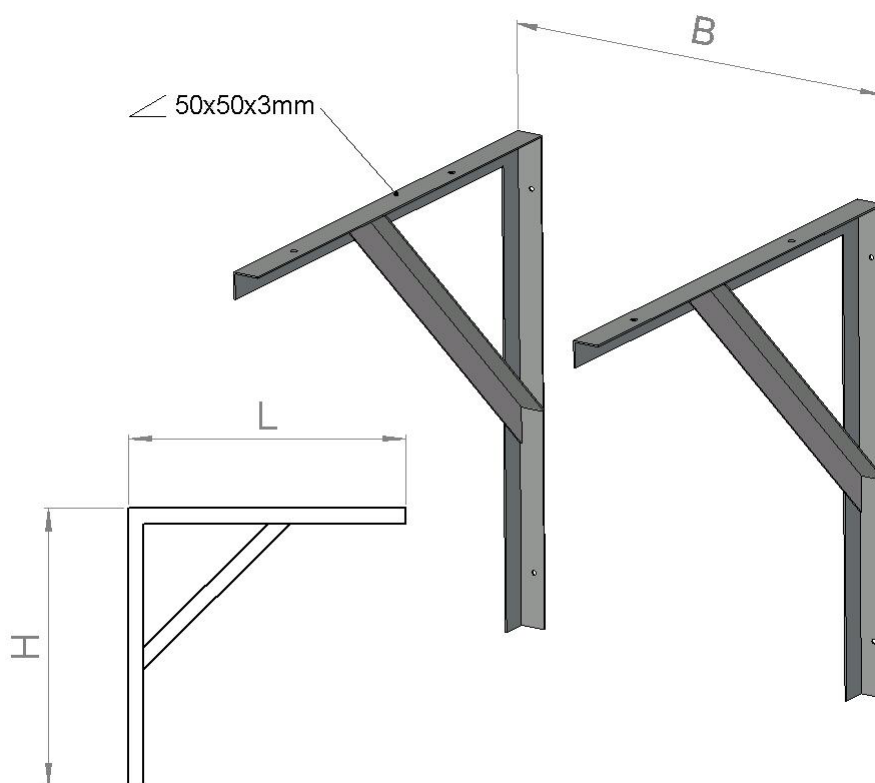
	Specifikation	Part no.
Circulating fan	ACO 400V	230004
Quantity of air	4000 m ³ /h	
kW:	0.25	
r.p.m.	1400	
Heat	10.4 kW	
Water °C	80/70	
L/h	899	
Pressure loss	17.75 KPa	

OBEL-P GROUP
Aagaard A/S

Smedevænget 14, DK-9560 Hadsund
Telefon +45 96 531 200 Fax +45 98 574 215 E-mail: mail@aagaard-systems.dk

Fans - Cyclones - Pipe Systems

Wall Fittings for Fan



B = Dependent on fan size and position.

L = Min. 1100 - dependent on fan type and position.

H = Min. 1100 - dependent on fan type and position.

Technical Data:

Type	Part No.
AVD 3	110006
AVD 5,5	110406
AVD 7,5	110606
AVD 10	110706
AVD 15	110806
AVD20	111006
AVD 25	111056
AVD 30	111206

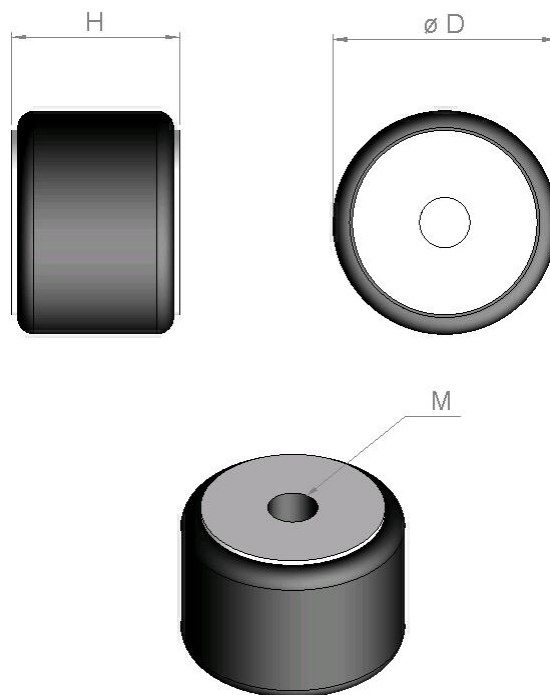
Type	Part No.
ALF31	118106
ALF 40 / FEF 40	118206
ALF 50 / FEF 50	118306
ALF 56	118406
ALF 56	118506

OBEL-P GROUP
Aagaard A/S

Smedevænget 14, DK-9560 Hadsund

Phone +45 96 531 200 Fax +45 98 574 215 E-mail: mail@aagaard-systems.dk

Vibration Absorber



Technical Data:

Type	D mm	H mm	M mm	Pressure load		Push load		Motor size kW	Part no.
				K Nmm.	Fmax. N	K Nmm.	Fmax. N		
C 30/30 B	30	30	M8	115	380	25	270	2,2 - 4,0	910034
C 40/30 B	40	30	M8	200	660	50	520	5,5 - 7,5	910025
C 40/40 B	40	40	M8	145	810	35	590	11,0 - 15,0	910035
C 50/40 B	50	40	M10	260	1500	50	1000	18,5 - 30,0	910036
C 75/50 B	75	50	M12	510	3300	90	2230	37,0 - 75,0	910037

K =Spring constant

F = Load

OBEL-P GROUP
Aagaard A/S

Smedevænget 14, DK-9560 Hadsund
Telefon +45 96 531 200 Fax +45 98 574 215 E-mail: mail@aagaard-systems.dk

Make-up AIR with Room Humidification

In rooms, e.g. finishing rooms, from where considerable air quantities are extracted, make-up air is essential

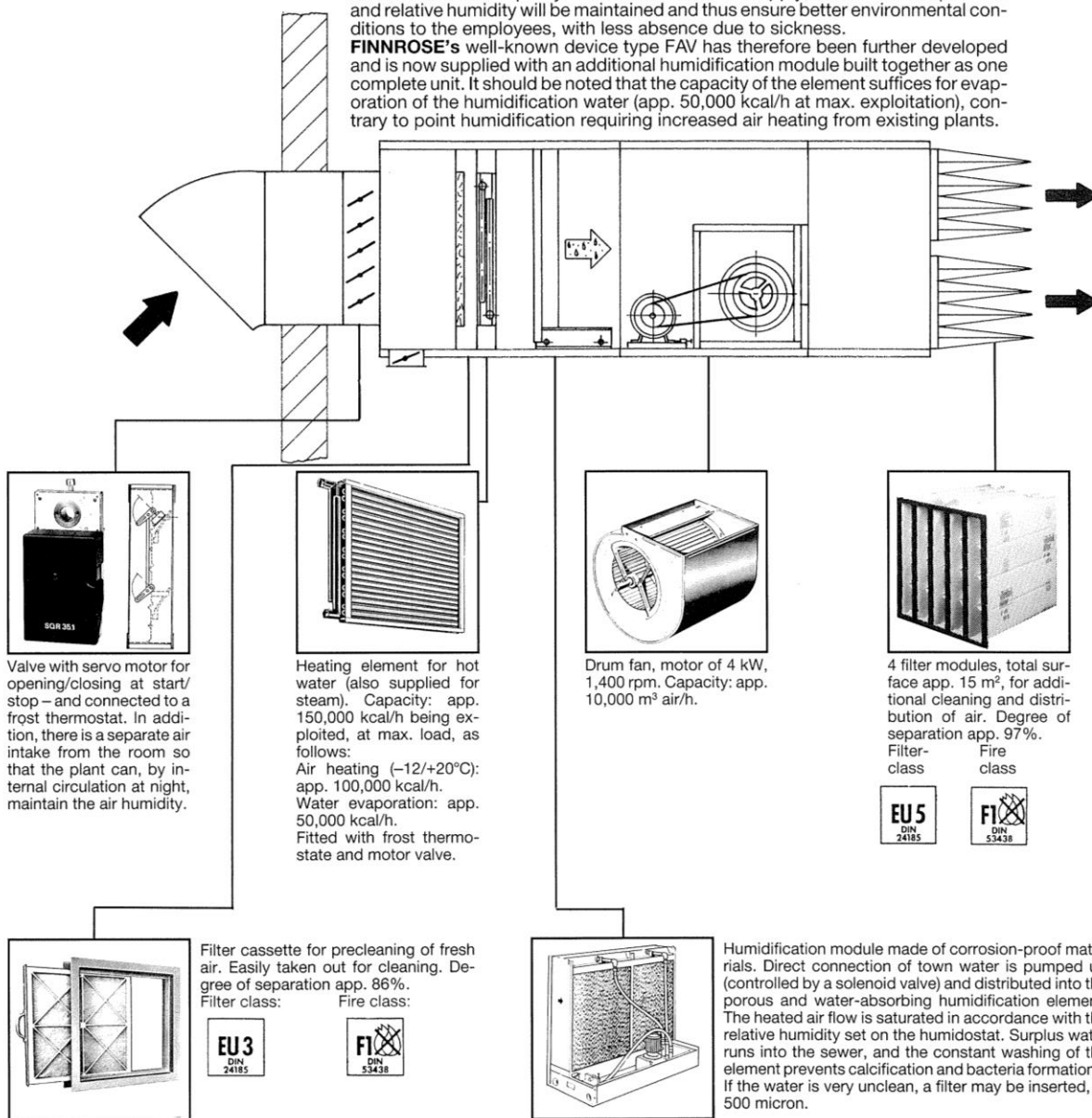
Air balance. Subpressure in the room, with subsequent drawbacks due to draughts and dust, is avoided, and it is possible to maintain a constant temperature.

Humidification. In cold winter periods, the outdoor air to be heated will have a very low relative humidity. In woodworking companies, this may cause loss of materials and a non-uniform quality. With a humidified air supply, a constant temperature and relative humidity will be maintained and thus ensure better environmental conditions to the employees, with less absence due to sickness.

FINNROSE's well-known device type FAV has therefore been further developed and is now supplied with an additional humidification module built together as one complete unit. It should be noted that the capacity of the element suffices for evaporation of the humidification water (app. 50,000 kcal/h at max. exploitation), contrary to point humidification requiring increased air heating from existing plants.

Surface Treatment Plants - Spray Machines

Spray Booths - Drying Ovens - Finishing Line

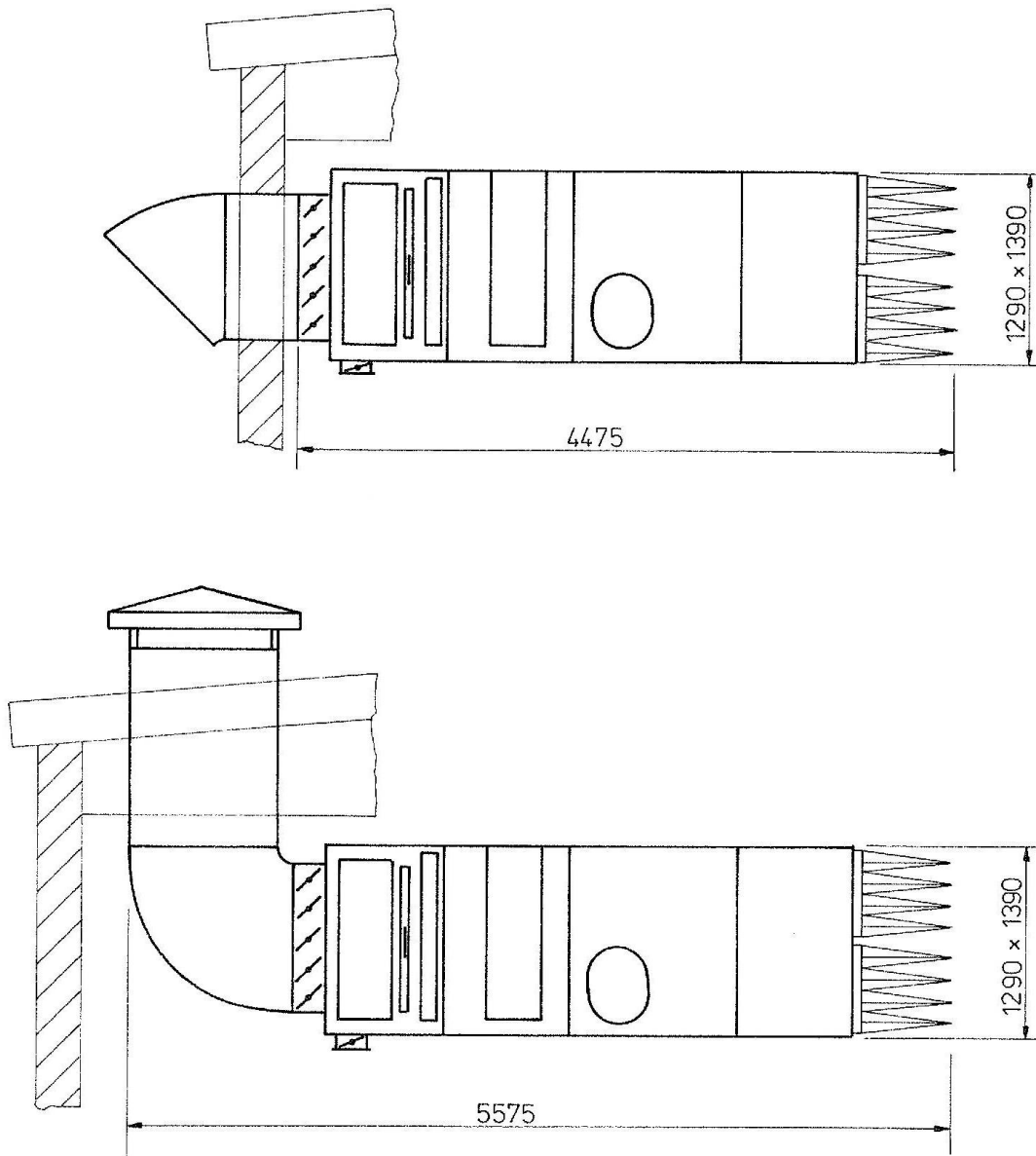


OBEL-P GROUP
Aagaard A/S

Smedevænget 14, DK-9560 Hadsund
Phone +45 96 531 200 Fax +45 98 574 215 E-mail: mail@aagaard-systems.dk

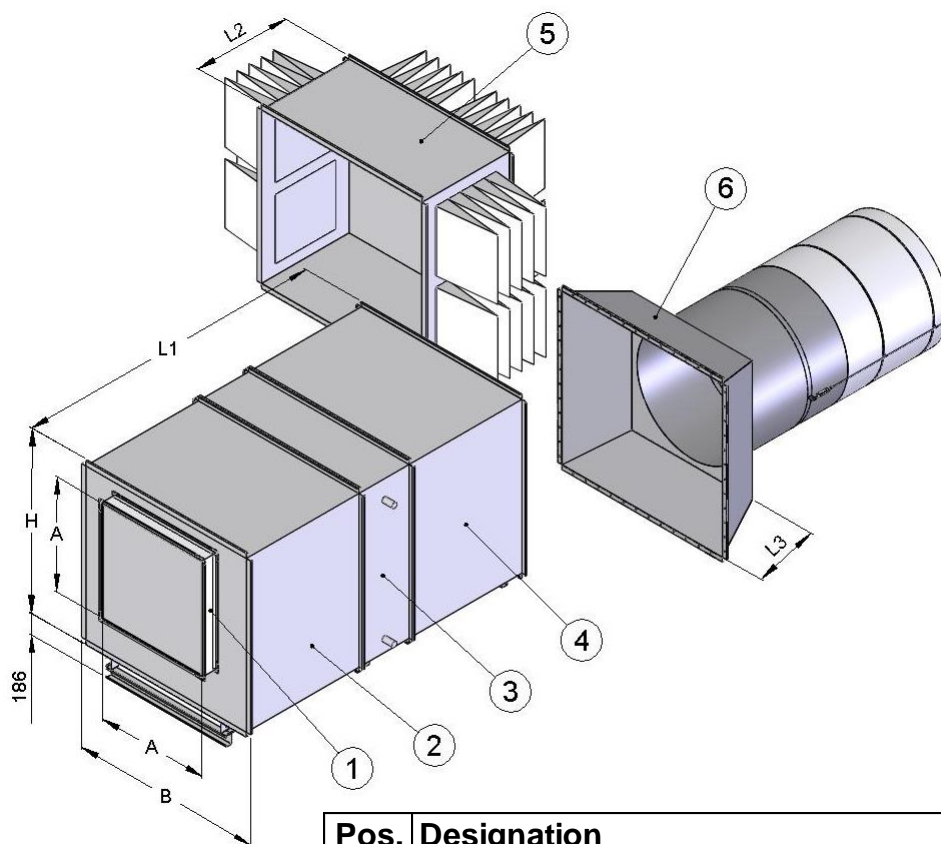
Fans - Cyclones - Pipe Systems

Technical Data:



Motor, fan	4.0 kW, 3 × 380V, 50 Hz
Motor, thermostat valve	220V, 50 Hz
Motor, damper	220V, 50 Hz
Capacity, air	10,000 m ³ /h
Fresh-water consumption/capacity,	100 l/h
Humidification	150,000 kcal/h (10,000 m ³ /h heated 32°C and evaporation of 100 l water).
Water consumption at max. capacity, e.g. 110/90° C	7,500 l/h
Pressure loss in heating element, max.	3,500 mm WG at max. consumption, incl. motor valve
Connection heating element in/out	1 1/2"

Air Supply Unit FAV



Pos.	Designation
1	Louvre gate
2	Filter section
3	Heating surface section
4	Fan section
5	Exhaust section w/pocket filter
6	Exhaust section w/bag for air handling unit

Technical Data:

Type	L1	L2	L3	B	H	A	Part no. with pos. 5	Part no. with pos. 6
FAV 100	2700	800	500	1386	1286	800	127A0020	127A0021
FAV 200	2750	875	500	1686	1586	1000	127A0022	127A0023
FAV 250	3000	875	500	1686	1586	1000	127A0024	127A0025

Type	kW	m ³ /h	Connection "
FAV 100	4	10.000	1½"
FAV 200	7,5	20.000	1½"
FAV 250	11	25.000	1½"

OBEL-P GROUP
Aagaard A/S

Smedevænget 14, DK-9560 Hadsund
Telefon +45 96 531 200 Fax +45 98 574 215 E-mail: mail@aagaard-systems.dk

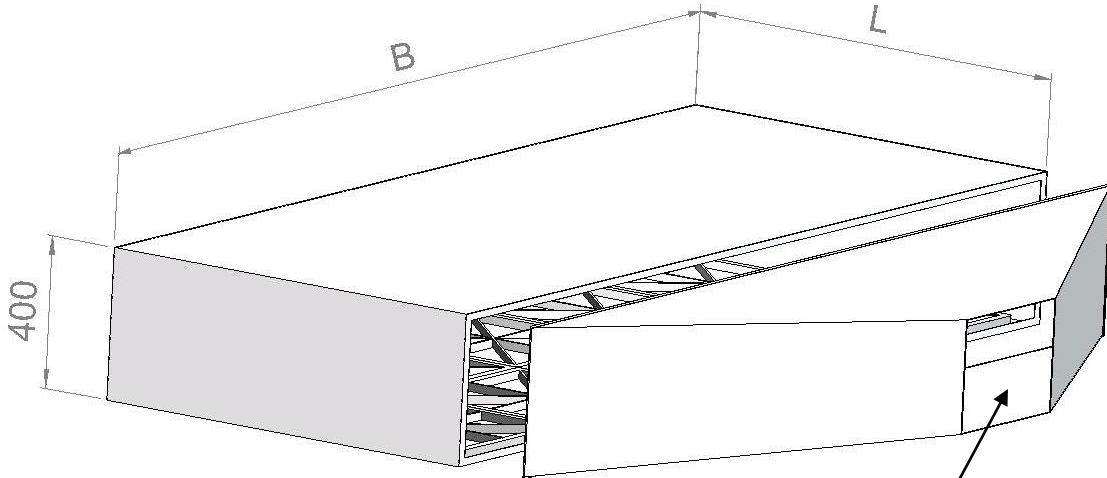
Surface Treatment Plants - Spray Machines

Spray Booths - Drying Ovens - Finishing Line

Fans - Cyclones - Pipe Systems

Overhead Inlet Panel

AIL



Inlet dimension, round or quadrangular, and position, on request.

Surface Treatment Plants - Spray Machines

Spray Booths - Drying Ovens - Finishing Line

Technical Data:

Type	B	H	L	Number of filter	Part No.
AIL 4 - T500	1100	400	1100	4	100080
AIL 6 - T500	1100	400	1600	6	100081
AIL 8 - T500	1100	400	2100	8	100082
AIL 10 - T500	1100	400	2600	10	100083
AIL 12 - T500	1100	400	3100	12	100084

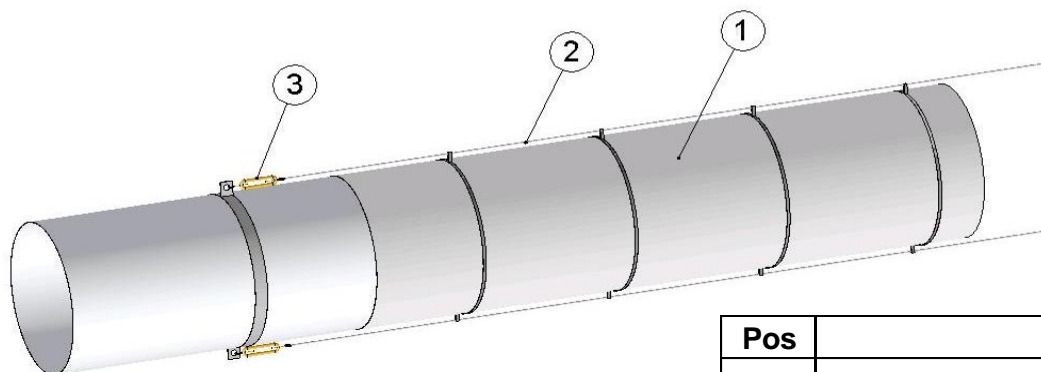
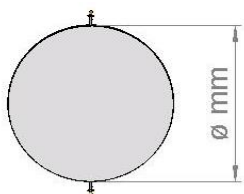
OBEL-P GROUP
Aagaard A/S

Smedevænget 14, DK-9560 Hadsund
Telefon +45 96 531 200 Fax +45 98 574 215 E-mail: mail@aagaard-systems.dk

Fans - Cyclones - Pipe Systems

Bag for air handling unit

Type: ARP



Pos	
1	Bag f. air ahndling unit
2	Wire
3	Wire tightener

Technical data:

Bags Ø mm	Quality of fabric m ³ /h/m				Max. Quantity of air m ³ /h	Part No.	
						Complete set	Spare bag
200	95	202	492	756	1.100	800014	800059
250	119	253	616	948	1.700	800015	800060
315	149	317	773	1188	2.800	800016	800061
400	189	403	983	1512	4.500	800017	800050
500	235	502	1225	1884	7.000	800018	800051
630	297	634	1544	2376	11.000	800019	800052
710	335	714	1739	2676	14.000	800020	800053
800	377	803	1958	3012	18.000	800021	800054
900	425	906	2207	3396	23.000	800022	800055
1000	471	1005	2449	3768	28.000	800023	800056
1100	519	1107	2699	4152	34.000	800024	800057
m ³ /m ²	150	320	780	1200			
Normal							

Complete with double suspension, belt and wire

Calculated with a pressure drop of 12 mmWG.

Excl. of any rings sewed in.

When dimensioning the max. air velocity in the inlet of the bag must not exceed 10 m/s.